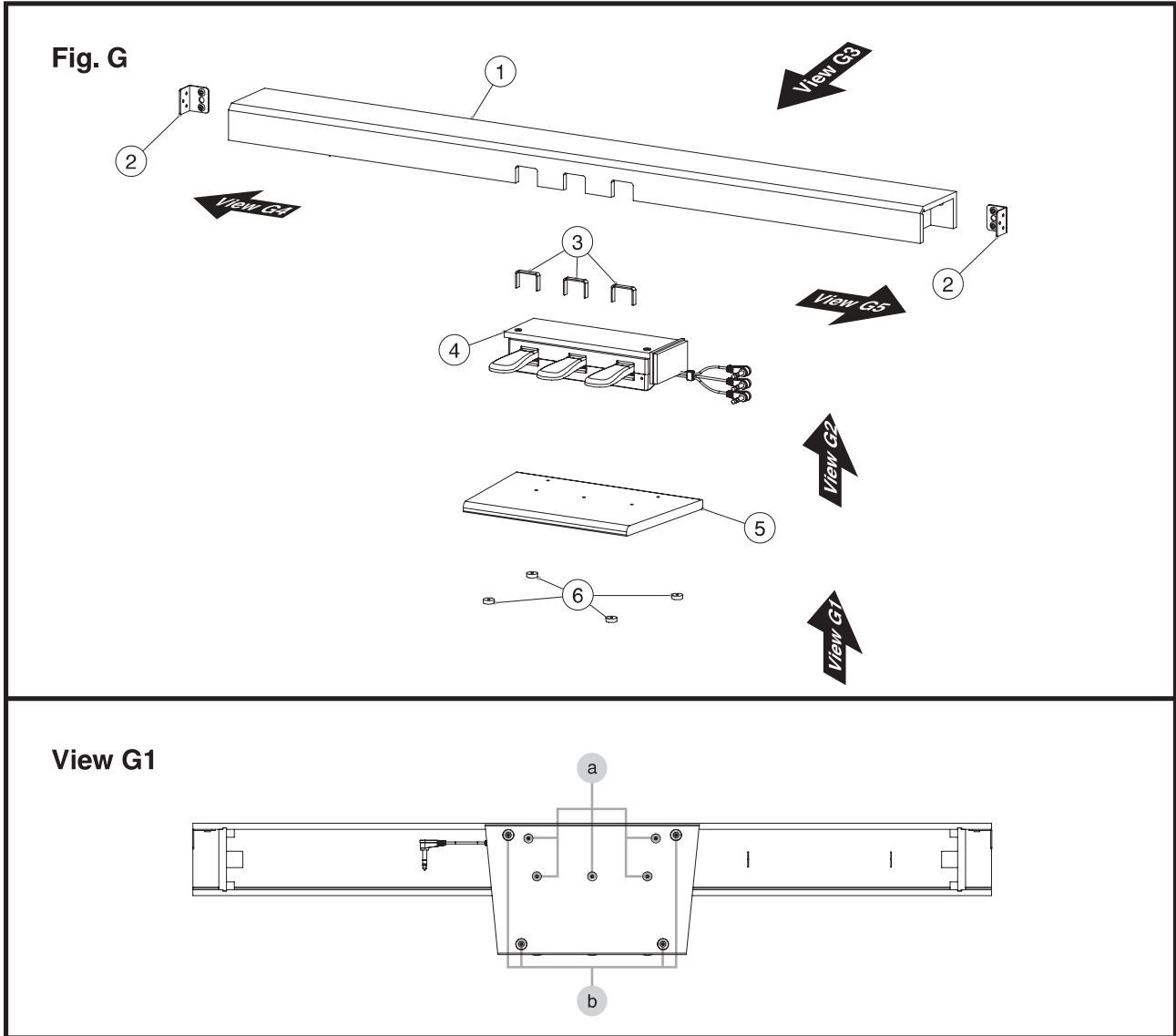


Exploded View (Fig. G)



Exploded View (Fig. G) Parts List

No.	Part Code	Part Name	Description	Q'ty
1	5100052557	PEDAL BOARD		1
	5100052558	PEDAL BOARD	for BK	1
2	5100046677	PEDAL HOLDER	for WH	2
3	5100002198	PEDAL BOARD FELT	8X135X2	3
4	5100053386	PEDAL UNIT	W/O ADJUST BOLT	1
5	5100052559	BASE BOARD		1
6	5100047118	FOOT		4

View G1

No.	Part Code	Part Name	Description	Q'ty
a	40563345	SCREW H4X25X17	TAPTITE P W BZC W=12.5	5
b	5100054783	SCREW 4X14	BINDING TAPPING A BZC	4