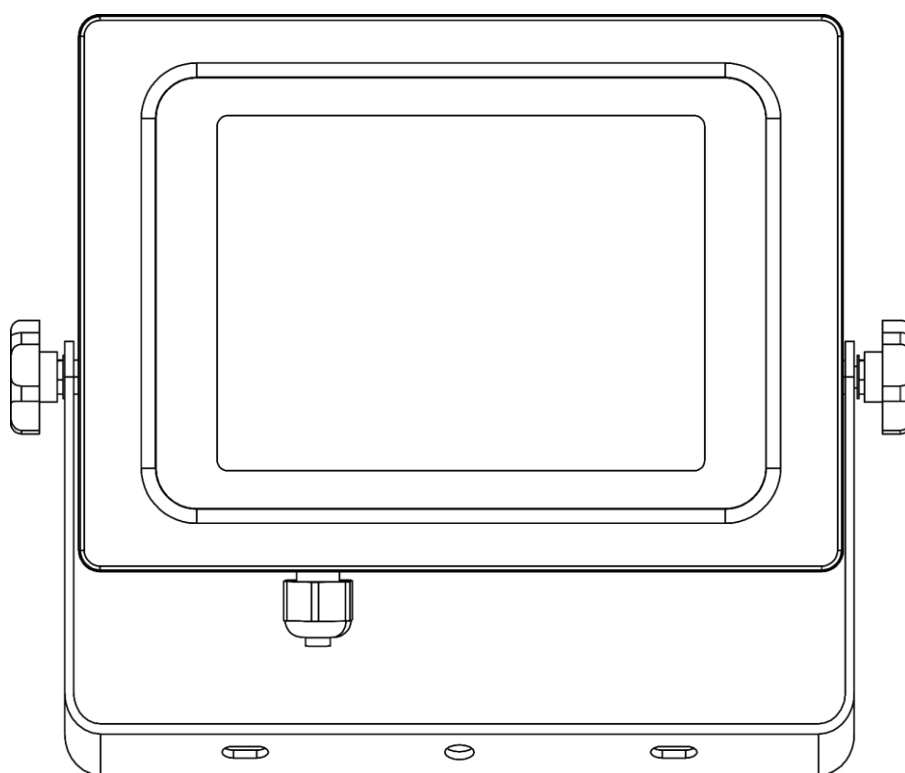




## USER MANUAL



ENGLISH

**Aviano Tour 50 W CCT**

**V1**

Product code: 31403

## Preface

---

Thank you for purchasing this Showtec product.

The purpose of this user manual is to provide instructions for the correct and safe use of this product.

Keep the user manual for future reference as it is an integral part of the product. The user manual shall be stored at an easily accessible location.

This user manual contains information concerning:

- Safety instructions
- Installation and operation of the device
- Intended and non-intended use of the device
- Maintenance procedures
- Troubleshooting
- Transport, storage and disposal of the device

Non-observance of the instructions in this user manual may result in serious injuries and damage of property.

©2022 Showtec. All rights reserved.

No part of this document may be copied, published or otherwise reproduced without the prior written consent of Highlite International.

Design and product specifications are subject to change without prior notice.

For the latest version of this document or other language versions, please visit our website [www.highlite.com](http://www.highlite.com) or contact us at [service@highlite.com](mailto:service@highlite.com).

Highlite International and its authorized service providers are not liable for any injury, damage, direct or indirect loss, consequential or economic loss or any other loss arising from the use of, or inability to use or reliance on the information contained in this document.

## Table of contents

<b>1. Introduction</b> .....	<b>3</b>
1.1. Before Using the Product .....	3
1.2. Intended Use .....	3
1.3. Product Lifespan.....	3
1.4. LEDs Lifespan .....	3
1.5. Text Conventions .....	3
1.6. Symbols and Signal Words.....	4
1.7. Symbols on the Information Label .....	4
<b>2. Safety</b> .....	<b>5</b>
2.1. Warnings and Safety Instructions .....	5
2.2. Requirements for the User.....	7
<b>3. Description of the Device</b> .....	<b>8</b>
3.1. Front .....	8
3.2. Back .....	8
3.3. Product Specifications .....	9
3.4. Dimensions.....	9
<b>4. Installation and Operation</b> .....	<b>10</b>
4.1. Safety Instructions.....	10
4.2. Personal Protective Equipment .....	10
4.3. Installation Site Requirements .....	10
4.4. Mounting.....	11
4.4.1. Installation on a Truss with a Clamp.....	11
4.4.2. Installation on a Wall.....	12
4.4.2.1. Drilling into Wood .....	13
4.4.2.2. Drilling into Concrete .....	13
4.4.2.3. Minimum Screw Length.....	13
4.4.3. Angle Adjustment.....	14
4.5. Connecting to Power Supply.....	14
4.6. Power Linking of Multiple Devices.....	15
<b>5. Troubleshooting</b> .....	<b>15</b>
<b>6. Maintenance</b> .....	<b>16</b>
6.1. Safety Instructions for Maintenance.....	16
6.2. Preventive Maintenance .....	16
6.2.1. Basic Cleaning Instructions.....	16
6.3. Corrective Maintenance .....	16
<b>7. Deinstallation, Transportation and Storage</b> .....	<b>17</b>
7.1. Instructions for Deinstallation.....	17
7.2. Instructions for Transportation .....	17
7.3. Storage .....	17
<b>8. Disposal</b> .....	<b>17</b>
<b>9. Approval</b> .....	<b>17</b>

## 1. Introduction

### 1.1. Before Using the Product



#### Important

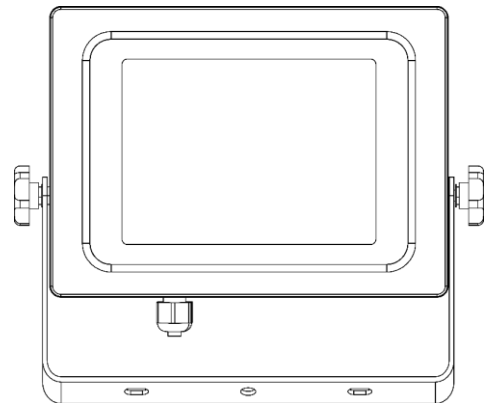
**Read and follow the instructions in this user manual before installing, operating or servicing this product.**

The manufacturer will not accept liability for any resulting damages caused by the non-observance of this manual.

After unpacking, check the contents of the box. If any parts are missing or damaged, contact your Highlite International dealer.

Your shipment includes:

- Arctea Aviano Tour 50 W CCT with fixed Schuko power cable (6 m)
- User manual



**Fig. 01**

### 1.2. Intended Use

This device is intended for professional use as an outdoor flood light. It is not suitable for households and for general lighting.

Any other use, not mentioned under intended use, is regarded as non-intended and incorrect use.

### 1.3. Product Lifespan

This device is not designed for permanent operation. Disconnect the device from the electrical power supply when the device is not in operation. This will reduce the wear and will improve the device's lifespan.

### 1.4. LEDs Lifespan

The light output of the LEDs gradually decreases over time (lumen depreciation). High operating temperatures contribute to this process. You can extend the lifespan of the LEDs by providing adequate ventilation and operating the LEDs at the lowest possible brightness.

### 1.5. Text Conventions

Throughout the user manual the following text conventions are used:









- Buttons: All buttons are in bold lettering, for example "Press the **UP/DOWN** buttons"
- References: References to chapters and parts of the device are in bold lettering, for example: "Refer to **2. Safety**", "turn the **adjustment screw (02)**"

- 0–255: Defines a range of values
- Notes: **Note:** (in bold lettering) is followed by useful information or tips

## 1.6. Symbols and Signal Words

Safety notes and warnings are indicated throughout the user manual by safety signs.



Always follow the instructions provided in this user manual.

	<b>DANGER</b>	Indicates an imminently hazardous situation which, if not avoided, will result in death or serious injury.
	<b>WARNING</b>	Indicates a potentially hazardous situation which, if not avoided, could result in death or serious injury.
	<b>CAUTION</b>	Indicates a potentially hazardous situation, which, if not avoided, may result in minor or moderate injury.
	<b>Attention</b>	Indicates important information for the correct operation and use of the product.
	<b>Important</b>	Read and observe the instructions in this document.
	<b>Electrical hazard</b>	
	<b>Hot surface</b>	
		Provides important information about the disposal of this product.

## 1.7. Symbols on the Information Label

This product is provided with an information label. The information label is located on the backside of the device.

The information label contains the following symbols:

	This device shall not be treated as household waste.
<b>IP65</b>	This device is rated IP65.
	This device falls under IEC protection class I.

## 2. Safety



### Important

**Read and follow the instructions in this user manual before installing, operating or servicing this product.**

The manufacturer will not accept liability for any resulting damages caused by the non-observance of this manual.

### 2.1. Warnings and Safety Instructions



#### DANGER

**Danger for children**

For adult use only. The device must be installed beyond the reach of children.

- Do not leave various parts of the packaging (plastic bags, polystyrene foam, nails, etc.) within children's reach. Packaging material is a potential source of danger for children.



#### DANGER

**Electric shock caused by dangerous voltage inside**

There are areas within the device where dangerous touch voltage may be present.

- Do not open the device or remove any covers.
- Do not operate the device if the covers or the housing are open. Before operation, check if the housing is firmly closed and all screws are tightly fastened.
- Disconnect the device from electrical power supply before service and maintenance, and when the device is not in use.



#### DANGER

**Electric shock caused by short-circuit**

This device falls under IEC protection class I.

- Make sure that the device is electrically connected to ground (earth). Connect the device only to a socket-outlet with ground (earth) connection.
- Do not cover the ground (earth) connection.
- Do not let the power cable come into contact with other cables. Handle the power cable and all connections with the mains with caution.
- Do not modify, bend, mechanically strain, put pressure on, pull or heat up the power cable.
- Make sure that the power cable is not crimped or damaged. Examine the power cable periodically for any defects.
- Do not immerse the device in water or other liquids. Do not install the device in a location where flooding may occur.
- Do not use the device during thunderstorms. Disconnect the device from the electrical power supply immediately.
- Do not connect the cables from above the connectors, if the device is installed outdoors. Make a 'drip loop' in the cable so that rain water cannot enter the device.



**WARNING**  
**Risk of burns due to hot surface**

The surface and the inner parts of the device can become very hot during operation.

- Do not touch the device during operation.
- Allow the device to cool down for at least 15 minutes before handling.



**Attention**  
**Power supply**

- Before connecting the device to the power supply, make sure that the current, voltage and frequency match the input voltage, current and frequency specified on the information label on the device.
- Make sure that the cross-sectional area of the extension cords and power cables is sufficient for the required power consumption of the device.



**Attention**  
**General safety**

- Do not connect the device to a dimmer pack.
- Do not switch the device on and off in short intervals. This decreases the device's life.
- Do not shake the device. Avoid brute force when installing or operating the device.
- Change the lens or the LEDs if they are visibly damaged to such an extent that their effectiveness is impaired, for example by cracks or deep scratches. Contact your Highlite International dealer for more information, as servicing can be performed only by instructed or skilled persons.
- If the device is dropped or struck, disconnect the device from the electrical power supply immediately.
- If the device is exposed to extreme temperature variations (e.g. after transportation), do not switch it on immediately. Let the device reach room temperature before switching it on, otherwise it may be damaged by the formed condensation.
- If the device fails to work properly, discontinue the use immediately.



**Attention**  
**For professional use only**  
**This device shall be used only for the purposes it is designed for.**

This device is designed to be used as an outdoor flood light. Any incorrect use may lead to hazardous situations and result in injuries and material damage.

- This device is not suitable for households and for general lighting.
- This device is not designed for permanent operation.
- This device contains a non-user-replaceable light source.
- This device does not contain user-serviceable parts. Unauthorized modifications to the device will render the warranty void. Such modifications may result in injuries and material damage.



**Attention**

**Before each use, examine the device visually for any defects.**

Make sure that:

- All screws used for installing the device or parts of the device are tightly fastened and are not corroded.
- The safety devices are not damaged.
- There are no deformations on housings, fixations and installation points.
- The lens is not cracked or damaged.
- The power cables are not damaged and do not show any material fatigue.



**Attention**

**Do not expose the device to conditions that exceed the rated IP class conditions.**

This device is IP65 rated. IP (Ingress Protection) 65 class means that the device is dust-tight and protected against harmful effect of water jets.

## 2.2. Requirements for the User

This product may be used by ordinary persons. Maintenance may be carried by ordinary persons. Installation and service shall be carried out only by instructed or skilled persons. Contact your Highlite dealer for more information.

Instructed persons have been instructed and trained by a skilled person, or are supervised by a skilled person, for specific tasks and work activities associated with the installation, service and maintenance of this product, so that they can identify risks and take precautions to avoid them.

Skilled persons have training or experience, which enables them to recognize risks and to avoid hazards associated with the installation, service and maintenance of this product.

Ordinary persons are all persons other than instructed persons and skilled persons. Ordinary persons include not only users of the product but also any other persons that may have access to the device or who may be in the vicinity of the device.

### 3. Description of the Device

The Arctecta Aviano Tour 50 W CCT is a 50 W LED flood light with a 110° beam angle and a color temperature switch. The device can be installed with a clamp or can be mounted on a wooden or concrete wall.

#### 3.1. Front

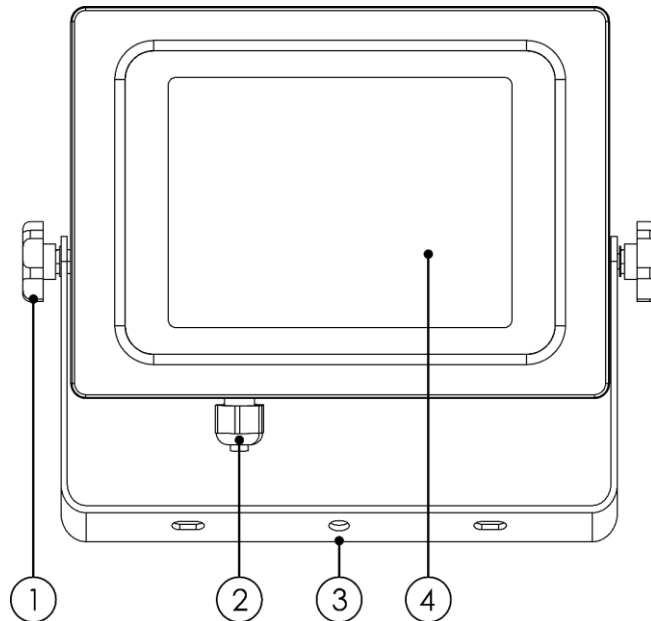


Fig. 02

- 01) 2 x adjustment screw
- 02) Power cable with Schuko plug + Schuko socket (6 m)
- 03) Mounting bracket
- 04) 96 x WW/CW/NW (0,4 W) LEDs

#### 3.2. Back

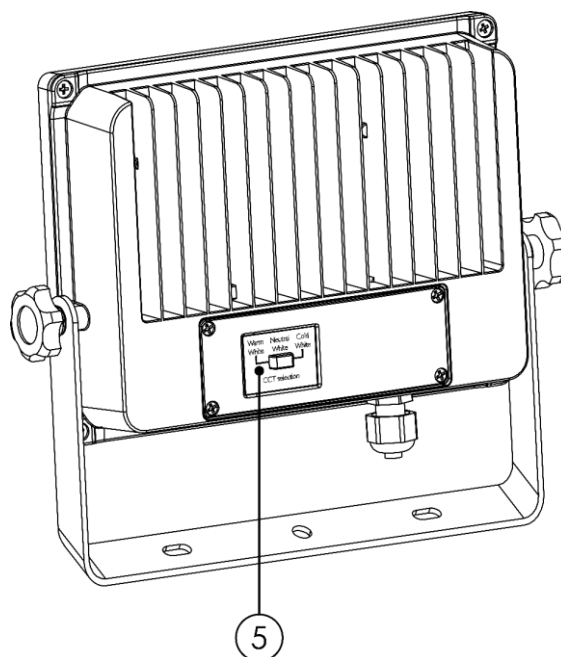


Fig. 03

- 05) Color temperature switch

### 3.3. Product Specifications

Model:	Aviano Tour 50 W CCT
<b>Electrical:</b>	
Input voltage:	220–240 V AC, 50/60 Hz
Power consumption:	53 W
<b>Physical:</b>	
Dimensions:	252 x 47 x 213 mm (L x W x H)
Weight:	1,84 kg
<b>Optics:</b>	
Light source:	96 x WW/CW/NW (0,4 W) LEDs
Lumen:	4400 lm
CRI:	80
CCT:	3000 K/4200 K/6000 K
Beam angle (circular):	110°
<b>Operation and control:</b>	
Control:	Manual (3-way switch): WW/CW/NW
<b>Connections:</b>	
Power connections:	IP65 power cable with Schuko plug + Schuko socket (6 m)
<b>Construction:</b>	
Housing:	Aluminum die-cast
Color:	Black
IP rating:	IP65
Cooling:	Convection
<b>Thermal:</b>	
Maximum ambient temperature $t_a$ :	From -10 °C to 45 °C
<b>Minimum distance:</b>	
Minimum distance from flammable surfaces:	0,5 m

### 3.4. Dimensions

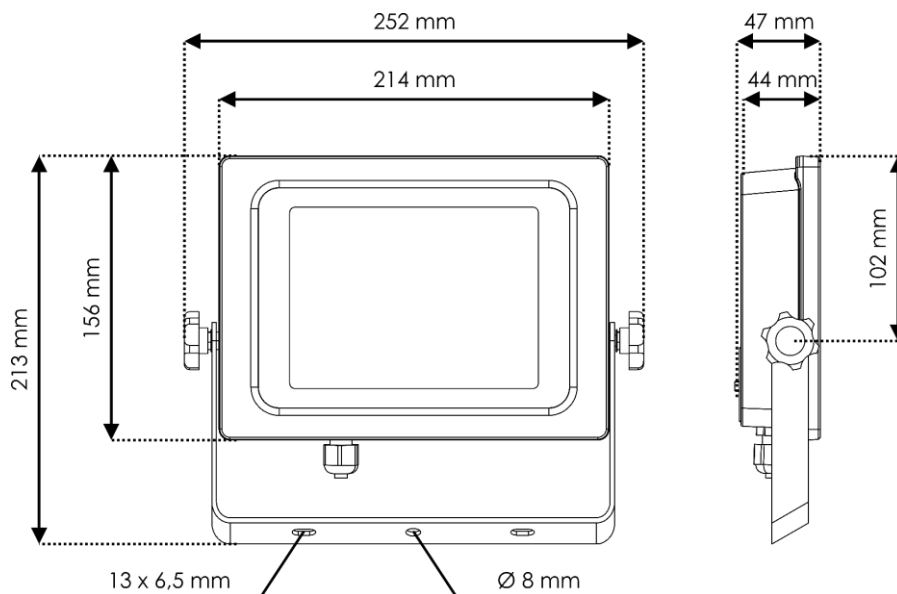


Fig. 04

## 4. Installation and Operation

### 4.1. Safety Instructions



#### WARNING

Incorrect installation can cause serious injuries and damage of property.

If trussing systems are used, installation must be carried out only by instructed or skilled persons.

Follow all applicable European, national and local safety regulations concerning rigging and trussing.



#### Attention

Power supply

Before connecting the device to the power supply, make sure that the current, voltage and frequency match the input voltage, current and frequency specified on the information label on the device.

### 4.2. Personal Protective Equipment

During installation and rigging wear personal protective equipment in compliance with the national and site-specific regulations.

### 4.3. Installation Site Requirements

- The device can be used outdoors.
- The device can be mounted to a truss or directly to a wall in any orientation.
- The minimum distance to other objects must be bigger than 0,2 m.
- The maximum installation height shall not exceed 2,9 m.
- The maximum ambient temperature  $t_a = 45\text{ °C}$  must never be exceeded.
- The relative humidity must not exceed 50 % with an ambient temperature of  $45\text{ °C}$ .

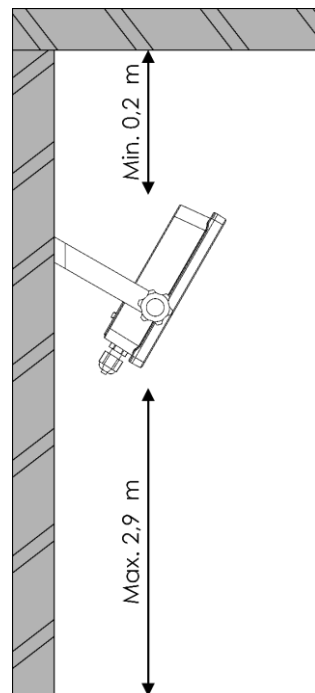


Fig. 05

#### 4.4. Mounting

The device can be mounted to a truss or other rigging structure in any orientation or can be mounted to a wall. Make sure that all loads are within the pre-determined limits of the supporting structure.



##### CAUTION

Restrict the access under the work area during rigging and/or derigging.

##### 4.4.1. Installation on a Truss with a Clamp

To install the device on a truss, follow the steps below:

- 01) Use a clamp to attach the device to the supporting structure, as shown in Fig. 06. Make sure that the device cannot move freely.
- 02) Secure the device with a secondary suspension, for example a safety cable. Make sure that the secondary suspension can hold 10 times the weight of the device. If possible, the secondary suspension should be attached to a supporting structure independent of the primary suspension. Put the safety cable through the **mounting bracket (03)**, as shown in Fig. 06.

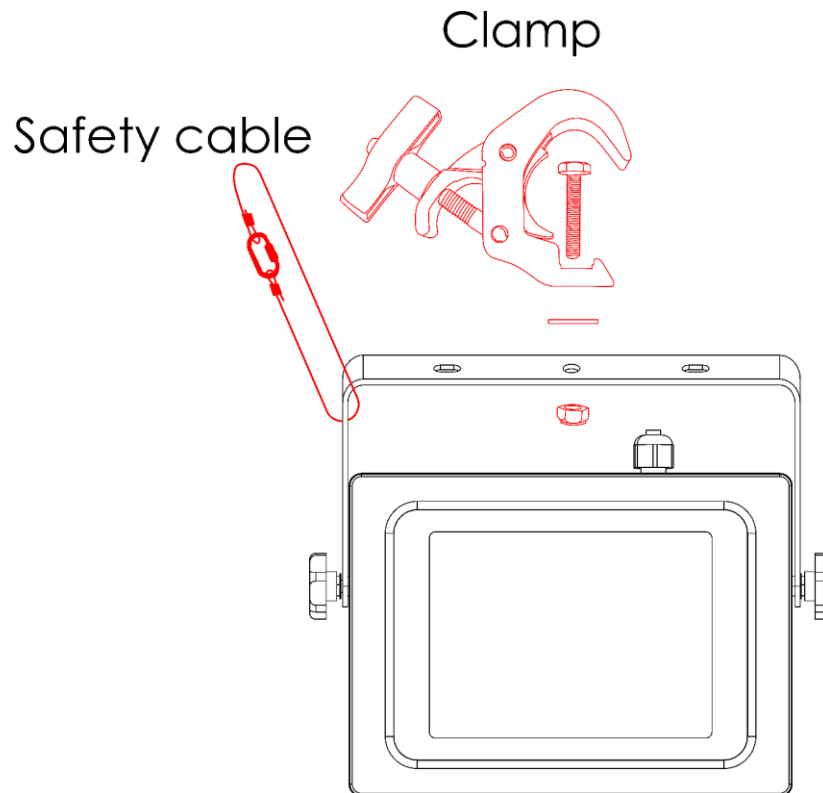


Fig. 06

#### 4.4.2. Installation on a Wall

To install the device, follow the steps below:

- 01) Turn the 2 **adjustment screws (01)** counterclockwise to loosen them (Fig. 07).
- 02) Remove the 2 **adjustment screws (01)**. The device and the **mounting bracket (03)** will disconnect.
- 03) Hold the **mounting bracket (03)** against the wall and mark the mounting locations (Fig. 08).

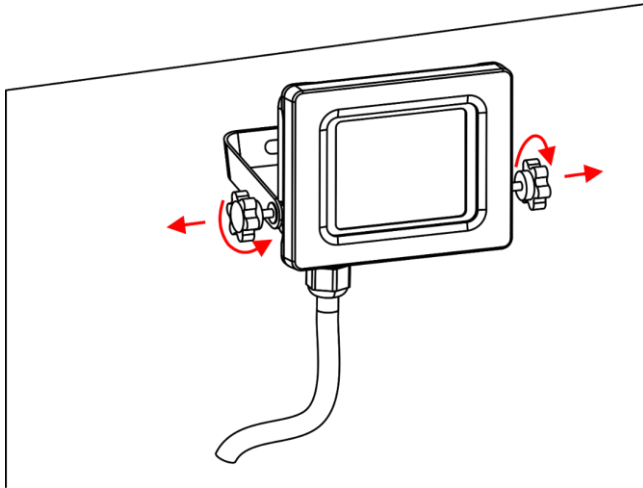


Fig. 07

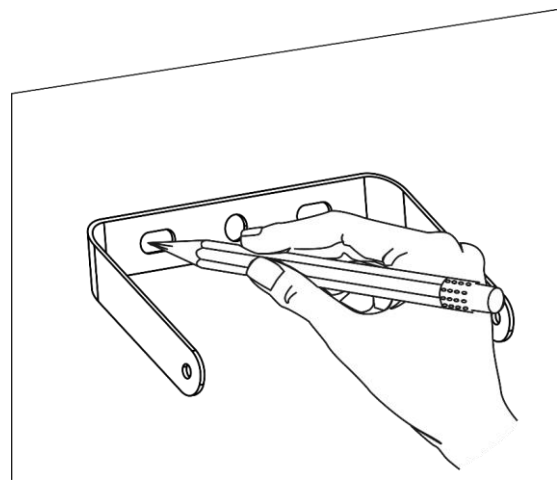


Fig. 08

- 04) Drill holes at marked locations. See **4.4.2.1. Drilling into Wood** or **4.4.2.2. Drilling into Concrete** on page 13 for more information.
- 05) Insert anchors into the drilled holes (Fig. 09). Do not perform this step when mounting the device to a wooden wall.
- 06) Insert and tighten the screws to install the **mounting bracket (03)** (Fig. 10).

#### Notes:

- Use screws of the correct length. See **4.4.2.3. Minimum Screw Length** on page 13 for more information.
- Do not overtighten the screws as this can damage the mounting bracket. The damaged mounting bracket cannot support the weight of the device and can break easily.

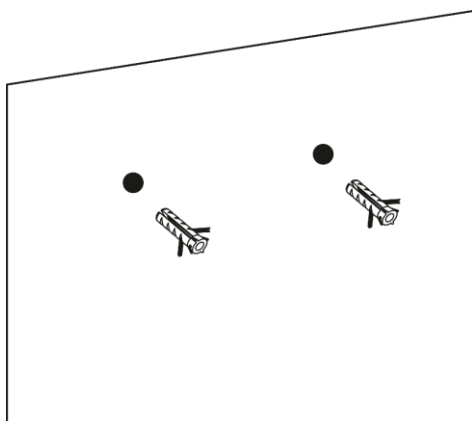


Fig. 09

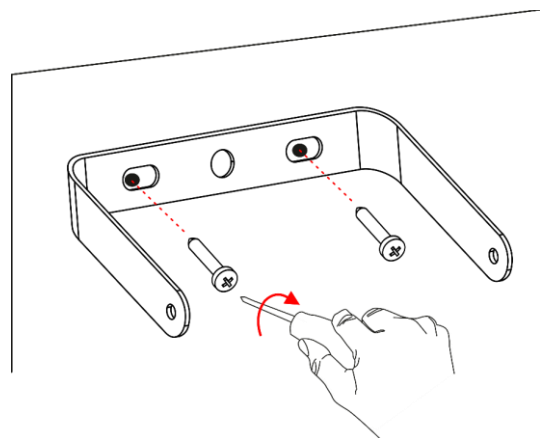


Fig. 10

- 07) Use the **color temperature switch (05)** to select one of the 3 color temperature options:
  - Warm White
  - Neutral White
  - Cold White

- 08) Insert the 2 **adjustment screws (01)** to connect the device to the **mounting bracket (03)**.  
09) Turn the 2 **adjustment screws (01)** clockwise to tighten them (Fig. 11).

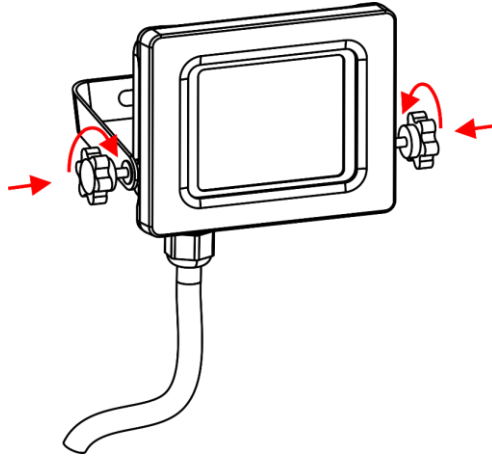


Fig. 11

### 4.4.2.1. Drilling into Wood

If you drill into wood, use hardwood drill bits. Pre-drill before inserting screws, to remove drill dust and to avoid damaging of the wood.

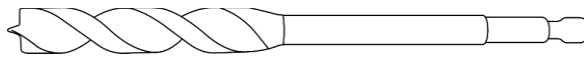


Fig. 12

**Note:** Use hardwood drill bits of the diameter slightly smaller than the screws used (e.g. for  $\varnothing$  5 mm screws, use a  $\varnothing$  3,5 mm hardwood drill bit).

### 4.4.2.2. Drilling into Concrete

If you drill into a concrete wall, use drill bits for concrete.



Fig. 13

#### Notes:

- Use drill bits of the same diameter as the anchors used.
- Do not drill into mortar joints. Screws installed in mortar joints cannot safely support the weight of the device.

### 4.4.2.3. Minimum Screw Length

The minimum screw length depends on the diameter of the mounting holes on the device. Multiply the mounting hole diameter (mm) by 2,5. The result is the minimum screw length.

The mounting holes on this device are  $\varnothing$  6,5 mm.

$$6,5 \text{ mm} \times 2,5 = 16,25 \text{ mm.}$$

The screws used for mounting shall be at least 16,25 mm long.

#### 4.4.3. Angle Adjustment

You can adjust the angle of the device with the **adjustment screws (01)**.

- 01) Turn the **adjustment screws (01)** counterclockwise to release them.
- 02) Tilt the device to the desired angle (Fig. 14).
- 03) Turn the **adjustment screws (01)** clockwise to tighten them. Make sure that the device cannot move freely.

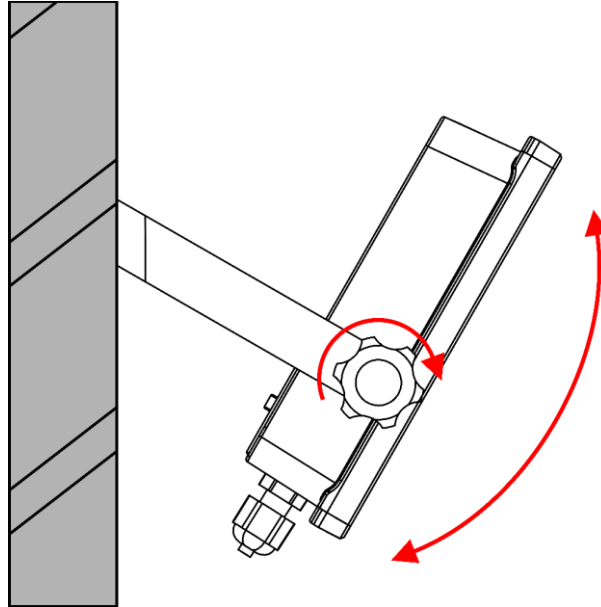


Fig. 14

#### 4.5. Connecting to Power Supply



**DANGER**  
Electric shock caused by short-circuit

The device accepts AC mains power at 220–240 V and 50/60 Hz. Do not supply power at any other voltage or frequency to the device.

This device falls under IEC protection class I. Make sure that the device is always electrically connected to the ground (earth).

Before connecting the device to the socket-outlet:

- Make sure that the power supply matches the input voltage specified on the information label on the device.
- Make sure that the socket-outlet has ground (earth) connection.

Connect the device to the socket-outlet with the power plug. Do not connect the device to a dimmer circuit, as this may damage the device.

This device is IP65 rated.

- Do not expose the device to conditions that exceed the rated IP class conditions.
- Do not connect the cables from above the connectors, if the device is installed outdoors. Make a 'drip loop' in the cable so that rain water cannot enter the device.
- Make sure that the cable run is not too heavy. A heavy cable run can cause damage to the connectors. If the connectors are damaged, their ingress protection (IP) can deteriorate.

#### 4.6. Power Linking of Multiple Devices

This device supports power linking. Power can be relayed to another device via the power OUT connector.

Power linking of multiple devices must be carried out only by instructed or skilled persons.



**WARNING**

**Incorrect power linking may lead to overload of the electrical circuit and result in serious injuries and damage of property.**

To prevent overload of the electrical circuit, when power linking multiple devices:

- Use cables with sufficient current-carrying capacity.
- Make sure that the total current draw of the device and all connected devices does not exceed the rated capacity of the power cables and the circuit breaker.
- Do not link more devices on one power link than the maximum recommended number.

Maximum recommended number of devices at 200–240 V: 50 devices

### 5. Troubleshooting

This troubleshooting guide contains solutions to problems which can be carried out by an ordinary person. The device does not contain user-serviceable parts.

Unauthorized modifications to the device will render the warranty void. Such modifications may result in injuries and material damage.

Refer servicing to instructed or skilled persons. Contact your Highlite International dealer in case the solution is not described in the table.

Problem	Probable cause(s)	Solution
The device does not function at all	No power to the device	<ul style="list-style-type: none"> <li>• Check if power is switched on and cables are plugged in</li> </ul>
	Main fuse is blown	<ul style="list-style-type: none"> <li>• Disconnect the device and contact your Highlite International dealer</li> </ul>
No light or LEDs cut out intermittently	LEDs are damaged	<ul style="list-style-type: none"> <li>• Disconnect the device and contact your Highlite International dealer</li> </ul>
	The power supply settings do not match local AC voltage and frequency	<ul style="list-style-type: none"> <li>• Disconnect the device. Check the settings and correct, if necessary</li> </ul>

## 6. Maintenance

### 6.1. Safety Instructions for Maintenance



**DANGER**  
Electric shock caused by dangerous voltage inside

Disconnect power supply before servicing or cleaning.

### 6.2. Preventive Maintenance



**Attention**  
Before each use, examine the device visually for any defects.

Make sure that:

- All screws used for installing the device or parts of the device are tightly fastened and are not corroded.
- The safety devices are not damaged.
- There are no deformations on housings, fixations and installation points.
- The lens is not cracked or damaged.
- The power cables are not damaged and do not show any material fatigue.

#### 6.2.1. Basic Cleaning Instructions

To clean the device, follow the steps below:

- 01) Disconnect the device from the electrical power supply.
- 02) Allow the device to cool down for at least 15 minutes.
- 03) Remove the dust collected on the external surface with dry compressed air and a soft brush.
- 04) Clean the device with a damp cloth.
- 05) Dry the lens carefully with a lint-free cloth.



**Attention**

- Do not immerse the device in liquid.
- Do not use alcohol or solvents.
- Make sure that the connections are fully dry before connecting the device to the power supply and to other devices.

### 6.3. Corrective Maintenance

The device does not contain user-serviceable parts. Do not open the device and do not modify the device.

Refer repairs and servicing to instructed or skilled persons. Contact your Highlite International dealer for more information.

## 7. Deinstallation, Transportation and Storage

---

### 7.1. Instructions for Deinstallation



**WARNING**

**Incorrect deinstallation can cause serious injuries and damage of property.**

- Let the device cool down before dismounting.
- Disconnect power supply before deinstallation.
- Always observe the national and site-specific regulations during deinstallation and derigging of the device.
- Wear personal protective equipment in compliance with the national and site-specific regulations.

### 7.2. Instructions for Transportation

- Use the original packaging to transport the device, if possible.
- Always observe the handling instructions printed on the outer carton box, for example: "Handle with care", "This side up", "Fragile".

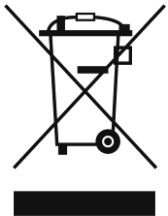
### 7.3. Storage

- Clean the device before storing. Follow the cleaning instructions in chapter **6.2.1. Basic Cleaning Instructions** on page 16.
- Store the device in the original packaging, if possible.

## 8. Disposal

---

### Correct disposal of this product



Waste Electrical and Electronic Equipment

This symbol on the product, its packaging or documents indicates that the product shall not be treated as household waste. Dispose of this product by handing it to the respective collection point for recycling of electrical and electronic equipment. This is to avoid environmental damage or personal injury due to uncontrolled waste disposal. For more detailed information about recycling of this product contact the local authorities or the authorized dealer.

## 9. Approval

---



Check the respective product page on the website of Highlite International ([www.highlite.com](http://www.highlite.com)) for an available declaration of conformity.





©2022 Showtec