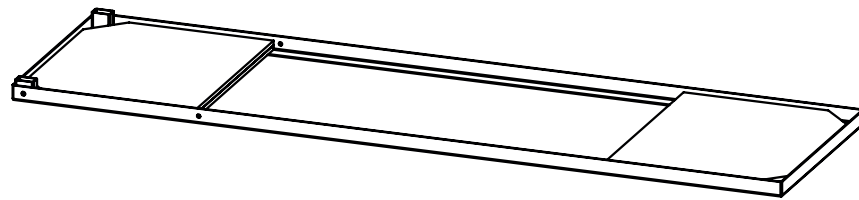
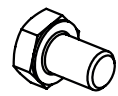


Trolley – list of parts included

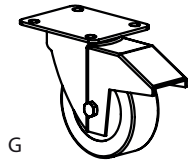


x1

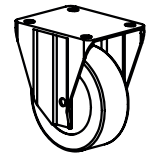
x16 Screw M8x12



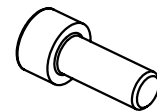
x2 FI100 COLSON



x2 FI100 COLSON



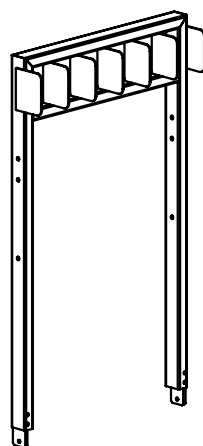
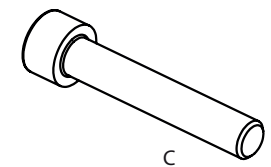
x4 Screw M8x20



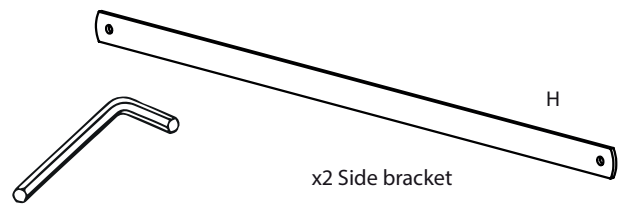
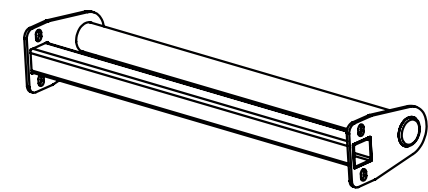
x8 Nut M8



x6 Screw M8x45



x1



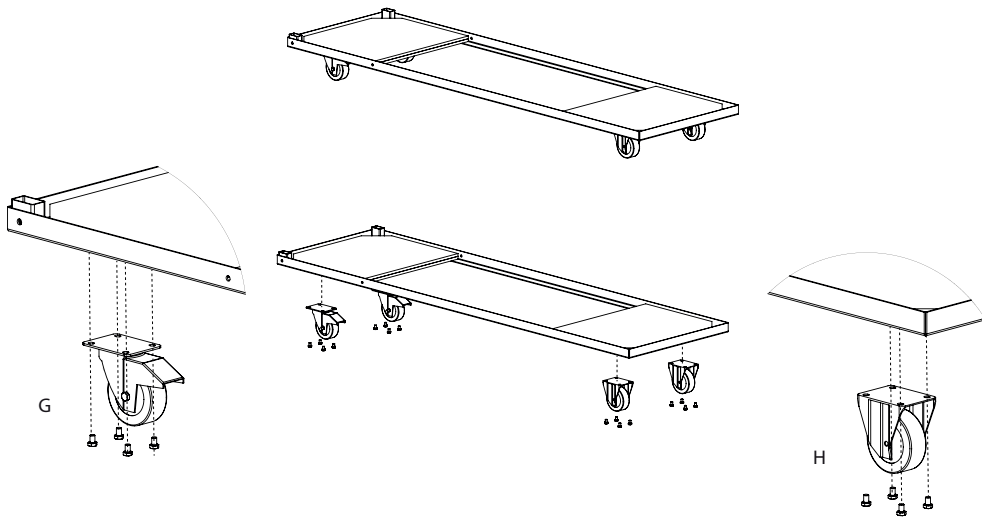
x1 Allen key

x2 Side bracket

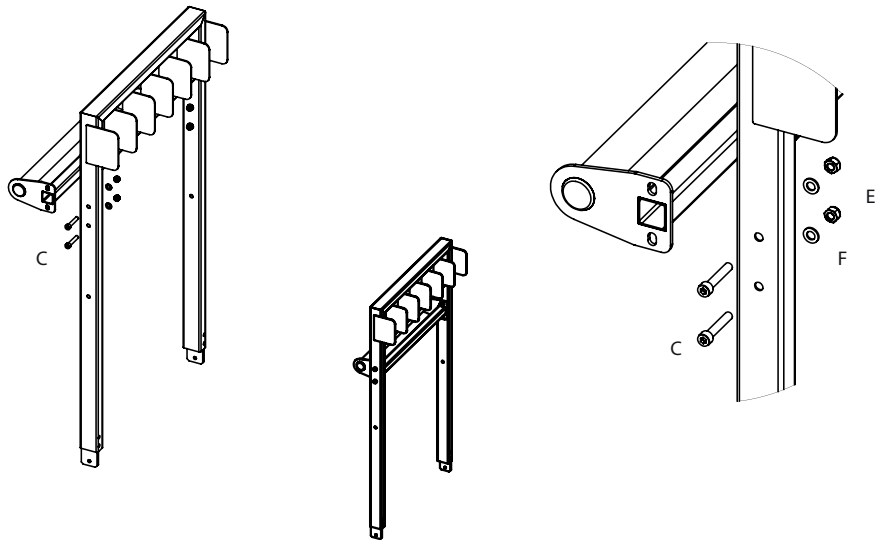
H

Trolley assembly

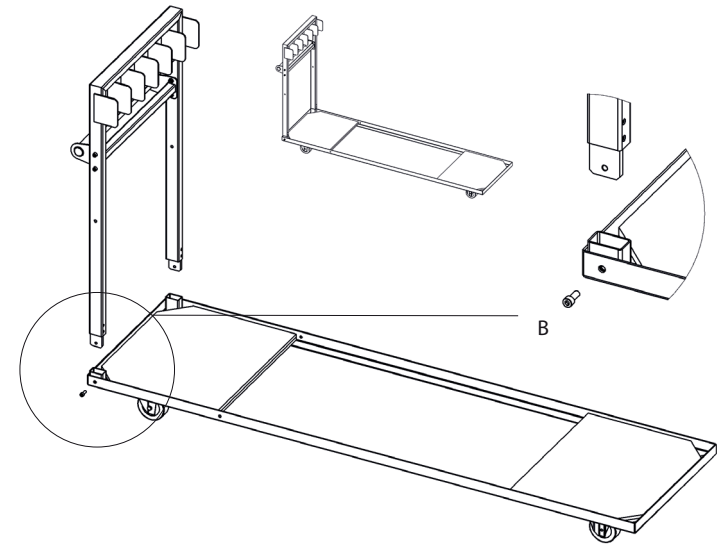
1. Attach the wheels (G) to the main frame using the screws (A) provided.



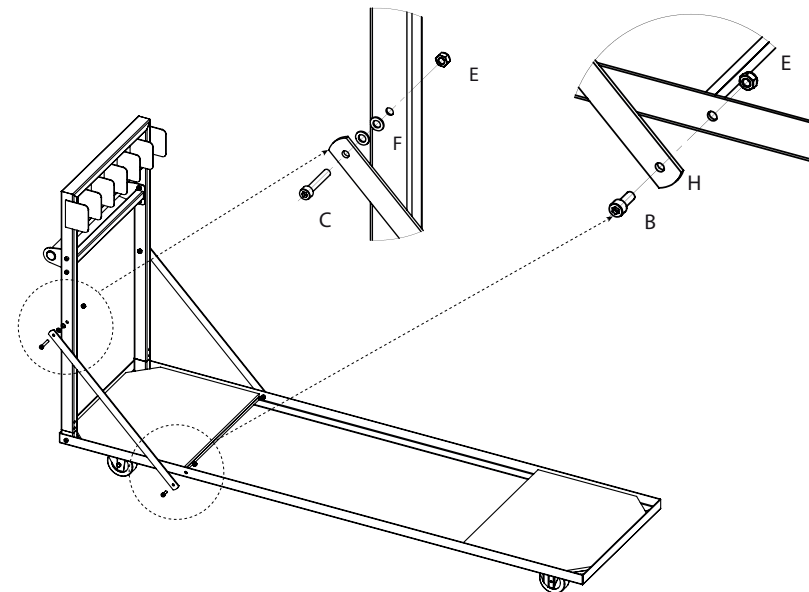
2. Build the handle together using the screws (C) washers (F) and nuts (E) provided.



3. Attach the handle to the trolley and fasten it using the bolts (B) provided.



4. Attach the side brackets (H) with the screws to the main frame and handle.



Trolley assembly