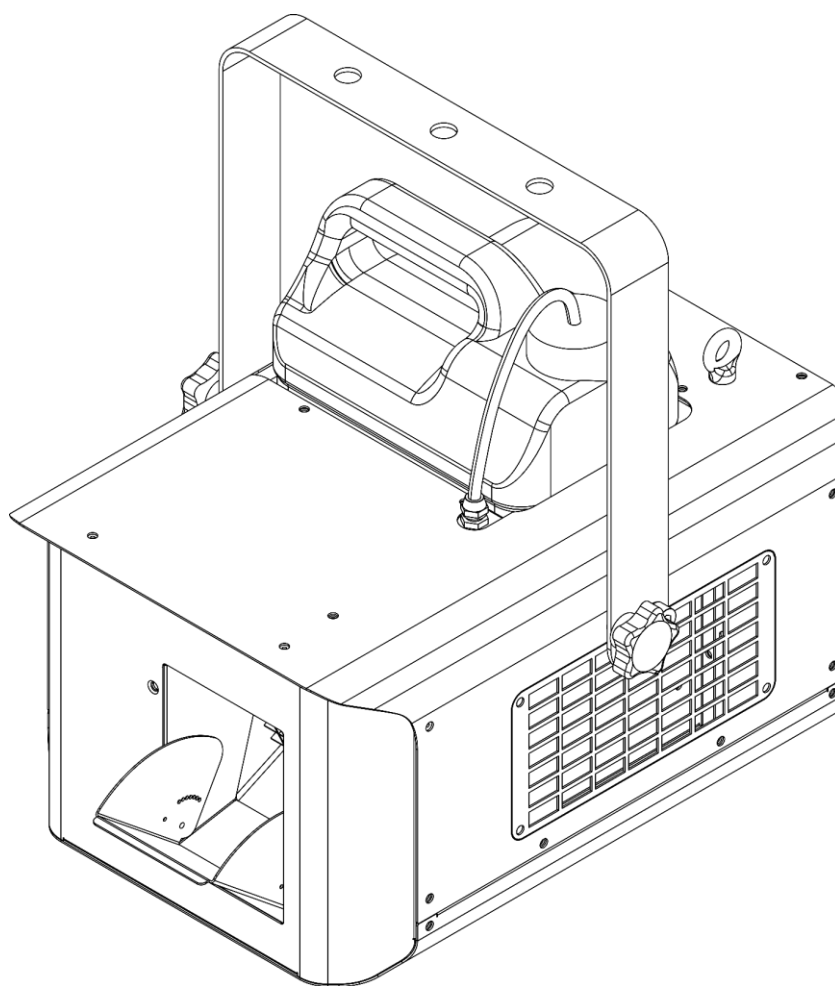




USER MANUAL



ENGLISH

Stellar FZ-1000 Fazer

V1

Product code: 61114

Preface

Thank you for purchasing this Showtec product.

The purpose of this user manual is to provide instructions for the correct and safe use of this product.

Keep the user manual for future reference as it is an integral part of the product. The user manual shall be stored at an easily accessible location.

This user manual contains information concerning:

- Safety instructions
- Installation and operation of the device
- Intended and non-intended use of the device
- Maintenance procedures
- Troubleshooting
- Transport, storage and disposal of the device

Non-observance of the instructions in this user manual may result in serious injuries and damage of property.

©2024 Showtec. All rights reserved.

No part of this document may be copied, published or otherwise reproduced without the prior written consent of Highlite International.

Design and product specifications are subject to change without prior notice.

For the latest version of this document or other language versions, please visit our website www.highlite.com or contact us at service@highlite.com.

Highlite International and its authorized service providers are not liable for any injury, damage, direct or indirect loss, consequential or economic loss or any other loss arising from the use of, or inability to use or reliance on the information contained in this document.

Table of contents

1. Introduction	4
1.1. Before Using the Product	4
1.2. Intended Use	4
1.3. Product Lifespan	4
1.4. Text Conventions	4
1.5. Symbols and Signal Words.....	5
1.6. Symbols on the Information Label.....	5
2. Safety	6
2.1. Warnings and Safety Instructions.....	6
2.2. Requirements for the User.....	9
3. Description of the Device	10
3.1. Front View	10
3.2. Back View	11
3.3. Product Specifications	12
3.4. Accessories.....	12
3.5. Dimensions.....	13
4. Installation and Setup	14
4.1. Safety Instructions for Installation.....	14
4.2. Personal Protective Equipment.....	14
4.3. Installation Site Requirements	14
4.4. Rigging	14
4.5. Connecting to Power Supply	16
5. Setup	17
5.1. Warnings and Precautions	17
5.2. Stand-alone Setup.....	17
5.3. DMX Connection	17
5.3.1. DMX-512 Protocol	17
5.3.2. DMX Cables.....	18
5.3.3. DMX Linking	18
5.3.4. DMX Addressing.....	19
6. Operation	20
6.1. Safety Instructions for Operation	20
6.2. Recommended Fog Fluid.....	20
6.3. Filling the Tank	21
6.4. Emptying the Tank after Operation.....	23
6.5. Restarting the Device after Running the Tank empty	24
6.6. Control Modes	24
6.7. Manual Operation.....	25
6.7.1. Control Panel (Device)	25
6.7.2. Start-up	26
6.7.3. Menu Overview	26
6.7.4. Main Menu Options.....	26
6.7.4.1. DMX Address	27
6.7.4.2. Output Volume	27
6.7.4.3. Fan Speed	27
6.7.4.4. Interval	27
6.7.4.5. Duration	27
6.7.5. Timer Mode.....	28
6.7.6. DMX Control Mode	28
6.7.7. Manual Mode	28
6.8. Manual Operation with Remote Control SR-1	29
6.8.1. Remote Control Functions SR-1.....	29
6.9. Manual Operation with Remote Control SR-3	30

- 6.9.1. Remote Control Functions SR-3.....30
- 6.10. DMX Operation31
 - 6.10.1. DMX Channels31
- 7. Troubleshooting32**
- 8. Maintenance33**
 - 8.1. Safety Instructions for Maintenance33
 - 8.2. Preventive Maintenance.....33
 - 8.2.1. Basic Cleaning Instructions33
 - 8.2.2. Cleaning the Fluid Pipes34
 - 8.3. Corrective Maintenance34
- 9. Deinstallation, Transportation and Storage35**
 - 9.1. Instructions for Deinstallation.....35
 - 9.2. Instructions for Transportation35
 - 9.3. Storage35
- 10. Disposal35**
- 11. Approval.....35**

1. Introduction

1.1. Before Using the Product



Important

Read and follow the instructions in this user manual before installing, operating or servicing this product.

The manufacturer will not accept liability for any resulting damages caused by the non-observance of this manual.

After unpacking, check the contents of the box. If any parts are missing or damaged, contact your Highlite International dealer.

Your shipment includes:

- Showtec Stellar FZ-1000 Fazer
- Schuko to Power Pro cable (1,5 m)
- User manual

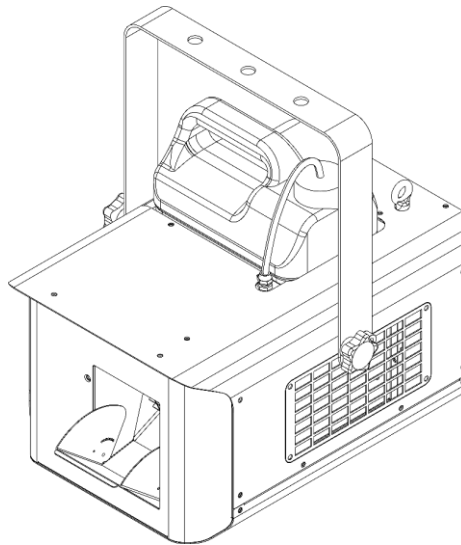


Fig. 01

1.2. Intended Use

This device is designed to be used as a professional fogger. Any incorrect use may lead to hazardous situations and result in injuries and material damage. This device is not suitable for households.

Any other use, not mentioned under intended use, is regarded as non-intended and incorrect use.

1.3. Product Lifespan

This device is not designed for permanent operation. Disconnect the device from the electrical power supply when the device is not in operation. This will reduce the wear and will improve the device's lifespan.

1.4. Text Conventions

Throughout the user manual the following text conventions are used:

- Buttons: All buttons are in bold lettering, for example "Press the **UP/DOWN** buttons"
- References: References to chapters and parts of the device are in bold lettering, for example: "Refer to **2. Safety**", "turn the **adjustment screw (02)**"
- 0–255: Defines a range of values
- Notes: **Note:** (in bold lettering) is followed by useful information or tips

1.5. Symbols and Signal Words

Safety notes and warnings are indicated throughout the user manual by safety signs.

Always follow the instructions provided in this user manual.



DANGER

Indicates an imminently hazardous situation which, if not avoided, will result in death or serious injury.



WARNING

Indicates a potentially hazardous situation which, if not avoided, could result in death or serious injury.



CAUTION

Indicates a potentially hazardous situation, which, if not avoided, may result in minor or moderate injury.



Attention

Indicates important information for the correct operation and use of the product.



Important

Read and observe the instructions in this document.



Electrical hazard



Hot surface



Provides important information about the disposal of this product.



1.6. Symbols on the Information Label

This product is provided with an information label. The information label is located on the backside of the device.

The information label contains the following symbols:



This device shall not be treated as household waste.



This device is designed for indoor use.



Read the user manual supplied with the device.



This device falls under IEC protection class I.

2. Safety



Important
Read and follow the instructions in this user manual before installing, operating or servicing this product.

The manufacturer will not accept liability for any resulting damages caused by the non-observance of this manual.

2.1. Warnings and Safety Instructions



DANGER
Danger for children

For adult use only. The device must be installed beyond the reach of children.

- Do not leave various parts of the packaging (plastic bags, polystyrene foam, nails, etc.) within children's reach. Packaging material is a potential source of danger for children.



DANGER
Electric shock caused by dangerous voltage inside

There are areas within the device where dangerous touch voltage (> 120 V DC) may be present.

- Do not open the device or remove any covers.
- Do not operate the device if the covers or the housing are open. Before operation, check if the housing is firmly closed and all screws are tightly fastened.
- Disconnect the device from electrical power supply before service and maintenance, and when the device is not in use.



DANGER
Electric shock caused by short-circuit

This device falls under IEC protection class I.

- Make sure that the device is electrically connected to ground (earth). Connect the device only to a socket-outlet with ground (earth) connection.
- Do not cover the ground (earth) connection.
- Do not bypass the thermostatic switch or fuses.
- For replacement use fuses of the same type and rating only.
- Do not let the power cable come into contact with other cables. Handle the power cable and all connections with the mains with caution.
- Do not modify, bend, mechanically strain, put pressure on, pull or heat up the power cable.
- Make sure that the power cable is not crimped or damaged. Examine the power cable periodically for any defects.
- Do not immerse the device in water or other liquids. Do not install the device in a location where flooding may occur.
- Do not use the device during thunderstorms. Disconnect the device from the electrical power supply immediately.



WARNING
Risk of burns due to hot surface

The fog output nozzle becomes very hot during operation.

- Do not touch the fog output nozzle during operation or shortly after use.
- Allow the device cool down for several hours before servicing or maintenance.



WARNING
Risk of burns due to hot fluid

The fog produced by the device is very hot. Also very hot droplets of fluid can escape from the fog output nozzle during operation of the device.

- Do not point the fog output directly at persons or animals.
- Make sure that persons cannot come closer than 50 cm to the fog output nozzle.



WARNING
Risk of explosion caused by incorrect handling

- Do not add flammable liquids such as perfume and alcohol to the fog fluid.
- Operate the device only with the fluids recommended in this user manual.



CAUTION
Risk of health problems

- Operate the device only with the fluids recommended in this user manual. Other fluids may contain substances, which are hazardous for human health and environment.
- Always refer to the Safety Data Sheet (SDS) of the fluid before to use.
- Do not swallow the fluid.
- Do not point the fog output at face height.
- Make sure that you use the device in spaces that have good airflow.

Persons, who suffer from respiratory disorders, should avoid prolonged exposure to artificially produced atmospheric effects.



Attention
Risk of fire

- Do not point the fog output at flames.
- Keep flammable and heat-sensitive objects at a minimum distance of 50 cm from the fog output nozzle.
- Do not cover the air vents.
- Make sure that there is sufficient airflow around the device.



Attention Power supply

- Before connecting the device to the power supply, make sure that the current, voltage and frequency match the input voltage, current and frequency specified on the information label on the device.
- Make sure that the cross-sectional area of the extension cords and power cables is sufficient for the required power consumption of the device.



Attention General safety

- Do not operate the device without liquid.
- Do not point the fog output at smooth floors. The fog output can cause condensation, which can make the floor slippery.
- Do not insert objects into the air vents.
- Do not switch the device on and off in short intervals. This decreases the device's life.
- Do not shake the device. Avoid brute force when installing or operating the device.
- If the device is dropped or struck, disconnect the device from the electrical power supply immediately.
- If the device is exposed to extreme temperature variations (e.g. after transportation), do not switch it on immediately. Let the device reach room temperature before switching it on, otherwise it may be damaged by the formed condensation.
- If the device fails to work properly, discontinue the use immediately.



Attention For professional use only This device shall be used only for the purposes it is designed for.

This device is designed to be used as a professional fog effect. Any incorrect use may lead to hazardous situations and result in injuries and material damage.

- This device is not suitable for households.
- This device is not designed for permanent operation.
- This device does not contain user-serviceable parts. Unauthorized modifications to the device will render the warranty void. Such modifications may result in injuries and material damage.



Attention Before each use, examine the device visually for any defects.

Make sure that:

- The fluid tank is closed.
- All screws used for installing the device or parts of the device are tightly fastened and are not corroded.
- The safety devices are not damaged.
- There are no deformations on housings, fixations and installation points.
- The power cables are not damaged and do not show any material fatigue.



Attention

Do not expose the device to conditions that exceed the rated IP class conditions.

This device is IP20 rated. IP (Ingress Protection) 20 class provides protection against solid objects greater than 12 mm, such as fingers, and no protection against harmful ingress of water.

2.2. Requirements for the User

This product may be used by ordinary persons. Maintenance may be carried by ordinary persons. Installation and service shall be carried out only by instructed or skilled persons. Contact your Highlite dealer for more information.

Instructed persons have been instructed and trained by a skilled person, or are supervised by a skilled person, for specific tasks and work activities associated with the installation, service and maintenance of this product, so that they can identify risks and take precautions to avoid them.

Skilled persons have training or experience, which enables them to recognize risks and to avoid hazards associated with the installation, service and maintenance of this product.

Ordinary persons are all persons other than instructed persons and skilled persons. Ordinary persons include not only users of the product but also any other persons that may have access to the device or who may be in the vicinity of the device.

3. Description of the Device

The Stellar FZ-1000 is a fazer with a robust, modern design. It has a 1000-watt heater and is ready for use within 3 minutes of turning it on. Thanks to its built-in fan, the FZ-1000 is able to create a fine haze using normal fog liquid. It can be controlled manually with the help of a clear LCD display, via DMX or with an optional remote control.

3.1. Front View

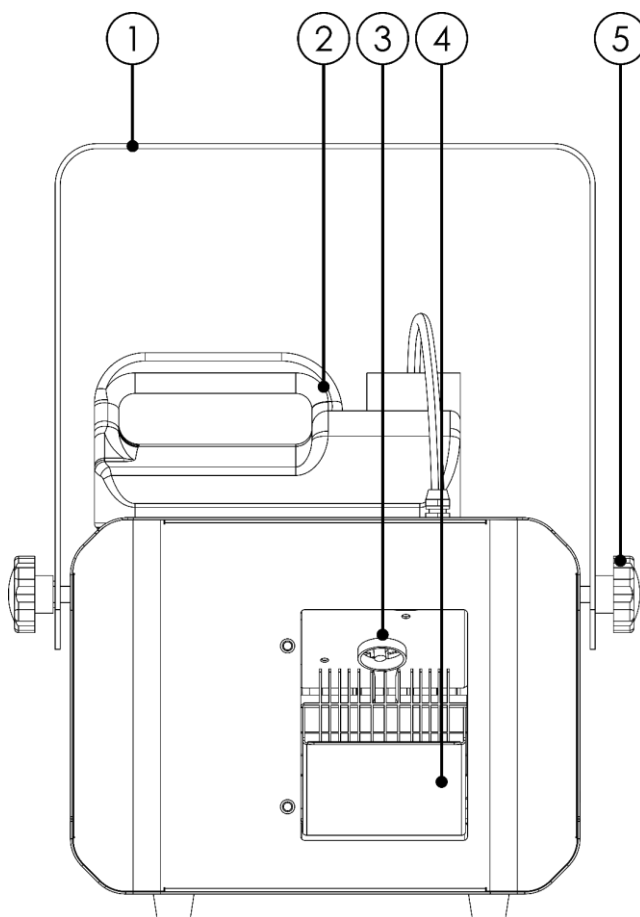


Fig. 02

- 01) Mounting bracket
- 02) Fog liquid tank (4 L)
- 03) Fog output nozzle
- 04) Fog output deflector (7 different angles possible)
- 05) Adjustment screw

3.2. Back View

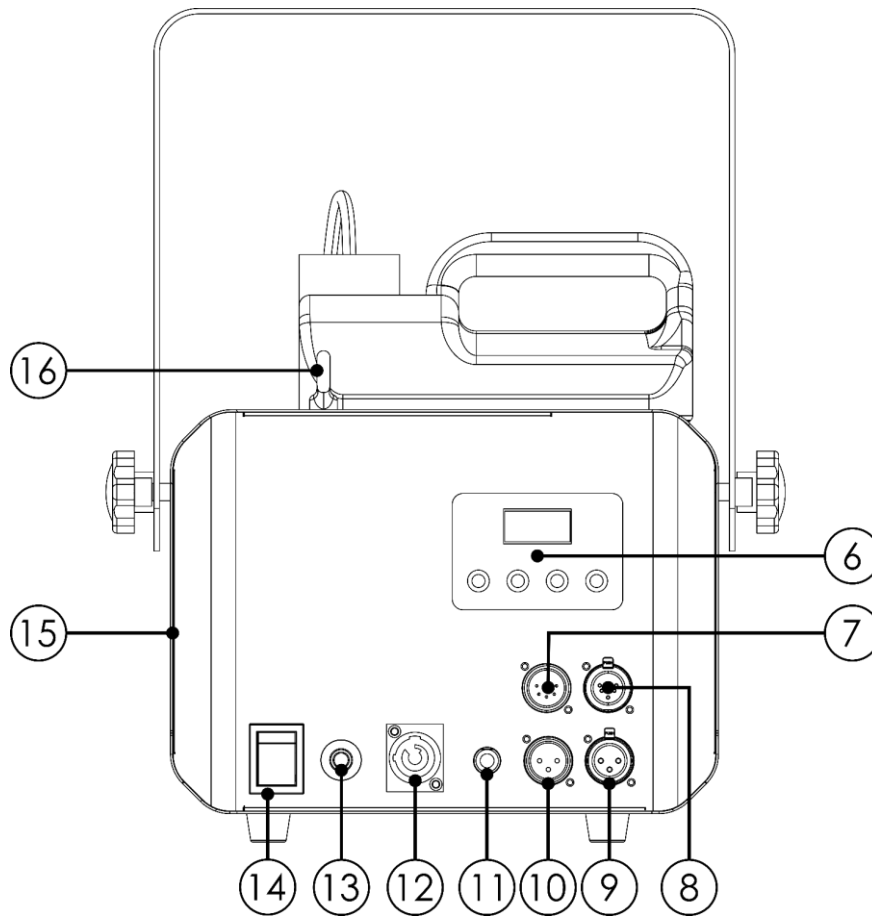


Fig. 03

- 06) LCD display + control buttons
- 07) 5-pin DMX connector IN
- 08) 5-pin DMX connector OUT
- 09) 3-pin DMX connector OUT
- 10) 3-pin DMX connector IN
- 11) 6,3mm jack for remote control
- 12) 220–240 V Power Pro connector IN (Blue)
- 13) Circuit breaker
- 14) ON/OFF switch
- 15) Ventilation
- 16) Safety Eye

3.3. Product Specifications

Model:	Stellar FZ-1000 Fazer	
Electrical:		
Input voltage:	220–240 V AC, 50 Hz	
Power consumption:	1200 W	
Fuse:	NFB 10A /250 V Circuit Breaker	
Physical:		
Dimensions:	406 x 311 x 382 mm (LxWxH)	
Weight:	7,8 kg	
Fazer capacity:		
Heater:	1000 W	
Warm-up / Heating time:	3 minutes	
Tank capacity:	4 L	
Fluid consumption:	7 ml/min @full output	
Output capacity:	515 m ³ /min	
Adjustable output level:	0–100 %	
Safety:	Reliable and safe due to temperature protection and liquid sensor	
	Continuous and steady output till tank runs out of liquid	
Operation and control:		
Control:	DMX-512, Manual, Remote	
DMX channels:	2 channels	
Control panel:	LCD display and buttons	
Connections:		
Power connections:	Pro power connector (Blue) IN	
Data connections:	3-pin + 5-pin DMX connectors IN/OUT	
Signal pinouts:	3-pin: pin 1 (ground), pin 2 (-), pin 3 (+) 5-pin: pin 1 (earth), pin 2 (-), pin 3 (+), pin 4 (N/C), pin 5 (N/C)	
Remote control connection:	6,3mm jack	
Construction:		
Housing:	Metal	
Color:	Dark Gray / Silver	
IP rating:	IP20	
Cooling:	Convection	
Thermal:		
Minimum ambient temperature t_a :	0 °C	
Maximum ambient temperature t_a :	40 °C	
Maximum housing temperature t_c :	60 °C	
Minimum distance:		
Minimum distance from flammable surfaces:	0,8 m	

3.4. Accessories

The device is delivered without remote control.

To use a remote control with the device, it is necessary to purchase the remote control.

- Product code: [61121](#) (SR-1 On/Off Remote with 8 m cable for Stellar Series)
- Product code: [61123](#) (SR-3 Timer-Remote with 8 m cable for Stellar Series)

3.5. Dimensions

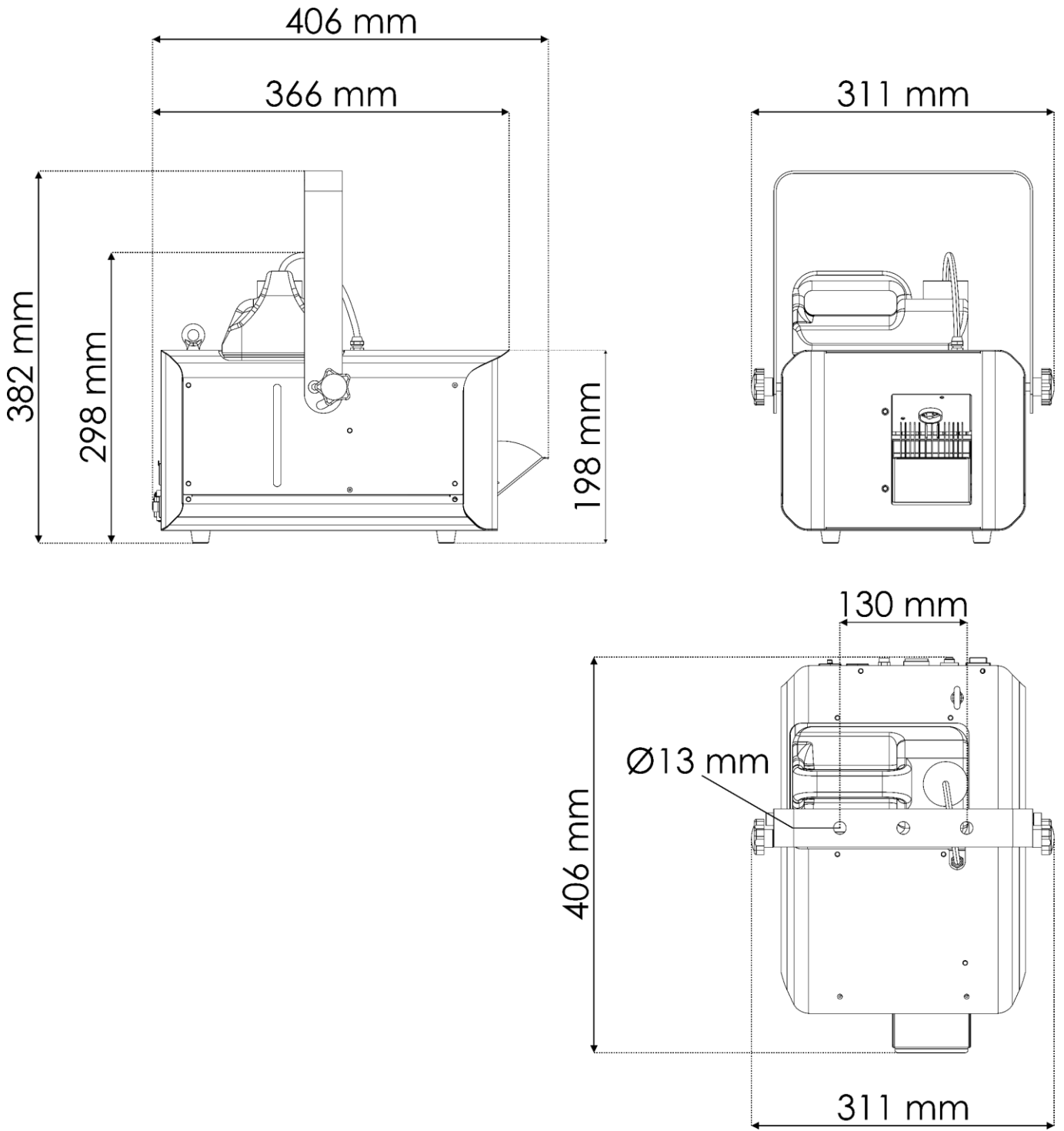


Fig. 04

4. Installation and Setup

4.1. Safety Instructions for Installation



WARNING

Incorrect installation can cause serious injuries and damage of property.

If trussing systems are used, installation must be carried out only by instructed or skilled persons.

Follow all applicable European, national and local safety regulations concerning rigging and trussing.

4.2. Personal Protective Equipment

During installation and rigging wear personal protective equipment in compliance with the national and site-specific regulations.

4.3. Installation Site Requirements

- The device can be used only indoors.
- The device can be mounted to a truss or other rigging structure in any orientation.
- The minimum distance to other objects must be bigger than 0,8 m.
- The minimum distance between the **fog output nozzle (03)** and the flammable surface must be bigger than 0,8 m.
- The maximum ambient temperature $t_a = 40\text{ °C}$ must never be exceeded.
- The relative humidity must not exceed 50 % with an ambient temperature of 40 °C .

4.4. Rigging

The device can be positioned on a flat surface or mounted to a truss or other rigging structure in a horizontal orientation. The maximum inclination angle of the device should not exceed 15° . Make sure that all loads are within the pre-determined limits of the supporting structure.



CAUTION

Restrict the access under the work area during rigging and/or derigging.

To mount the device, follow the steps below:

- 01) Use a clamp to attach the device to the supporting structure, as shown in Fig. 05. Make sure that the device cannot move freely.
- 02) Secure the device with a secondary suspension, for example a safety cable. Make sure that the secondary suspension can hold 10 times the weight of the device. If possible, the secondary suspension should be attached to a supporting structure independent of the primary suspension. Put the safety cable through the **safety eye (16)**, as shown in Fig. 05.

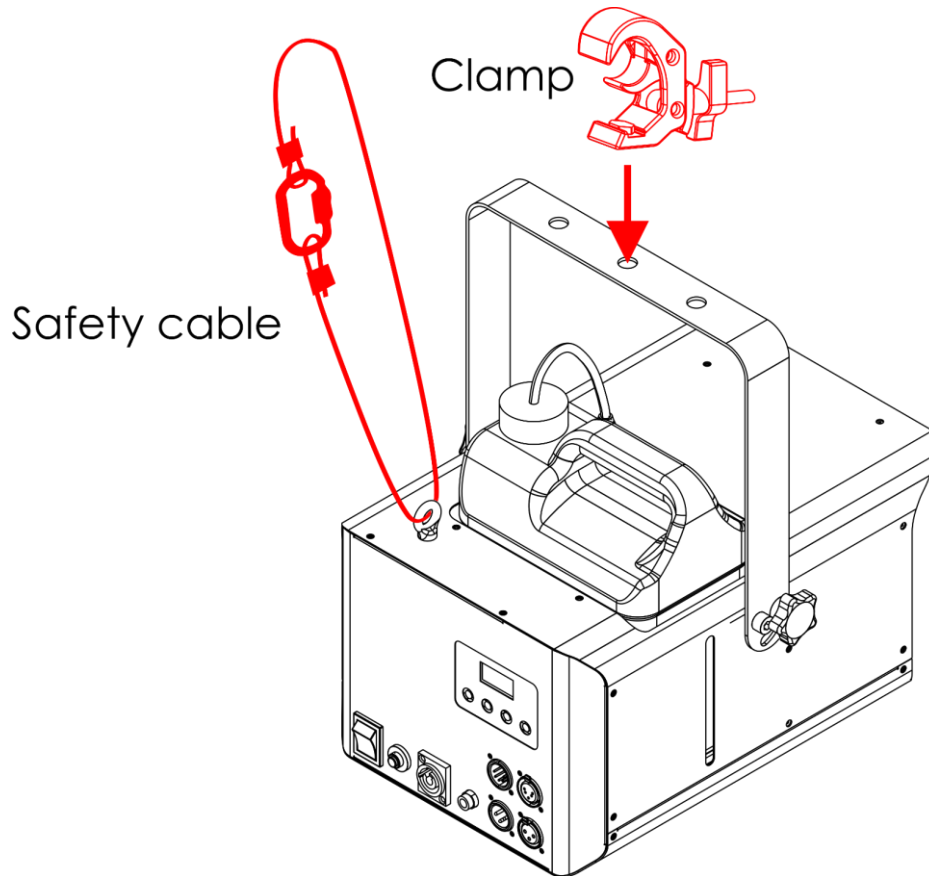


Fig. 05

4.5. Connecting to Power Supply



DANGER
Electric shock caused by short-circuit

The device accepts AC mains power at 220–240 V and 50 Hz. Do not supply power at any other voltage or frequency to the device.

This device falls under IEC protection class I. Make sure that the device is always electrically connected to the ground (earth).

Before connecting the device to the socket-outlet:

- Make sure that the power supply matches the input voltage specified on the information label on the device.
- Make sure that the socket-outlet has ground (earth) connection.

Connect the device to the socket-outlet with a power plug. Do not connect the device to a dimmer pack, as this may damage the device.

5. Setup

5.1. Warnings and Precautions



Attention

Connect all data cables before supplying power.

Disconnect power supply before connecting or disconnecting data cables.

5.2. Stand-alone Setup

When the Stellar FZ-1000 Fazer is not connected to a controller or to other devices, it functions as a stand-alone device. It can be operated manually.

For more information about the control mode, refer to **6.7.4.1. DMX Address** on page 27.

5.3. DMX Connection

5.3.1. DMX-512 Protocol

You need a DMX serial data link to run fog shows of one or more devices using a DMX-512 controller or to run synchronized shows of two or more devices set in a DMX mode.

The Stellar FZ-1000 Fazer has 3-pin/5-pin DMX signal IN and OUT connectors.

The pin assignment is as follows:

- 3-pin: pin 1 (ground), pin 2 (-), pin 3 (+)
- 5-pin: pin 1 (ground), pin 2 (-), pin 3 (+), pin 4 (N/C), pin 5 (N/C)

Devices on a serial data link must be daisy-chained in a single line. The number of devices that you can control on one data link is limited by the combined number of the DMX channels of the connected devices and the 512 channels available in one DMX universe.

To comply with the TIA-485 standard, no more than 32 devices should be connected on one data link. In order to connect more than 32 devices on one data link, you must use a DMX optically isolated splitter/booster, otherwise this may result in deterioration of the DMX signal.

Note:

- Maximum recommended DMX data link distance: 300 m
- Maximum recommended number of devices on a DMX data link: 32 devices

5.3.2. DMX Cables

Shielded twisted-pair cables with 3-pin/5-pin XLR connectors must be used for reliable DMX connection. You can purchase DMX cables directly from your Highlite International dealer or make your own cables.

If you use 3-pin XLR audio cables for DMX data transmission, this may lead to signal degradation and unreliable operation of the DMX network.

When you make your own DMX cables, make sure that you connect the pins and wires correctly as shown in Fig. 06.

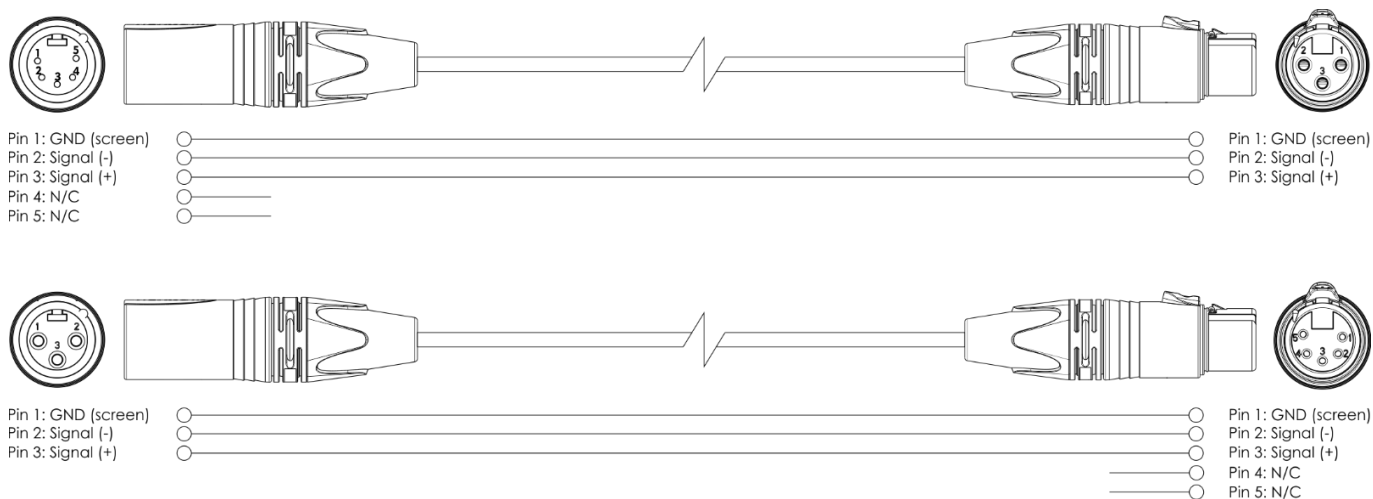


Fig. 06

5.3.3. DMX Linking

To connect multiple devices on one DMX data link, follow the steps below:

- 01) Use a 3-pin/5-pin DMX cable to connect the DMX OUT connector of the lighting controller to the DMX IN connector of the first device.
- 02) Connect the first device's DMX OUT connector to the second device's DMX IN connector with a 3-pin/5-pin DMX cable.
- 03) Repeat step 2 to connect all devices in a daisy-chain as shown in Fig. 07.
- 04) Connect a DMX terminator (120 Ω resistor) to the DMX OUT connector of the last device on the data link.

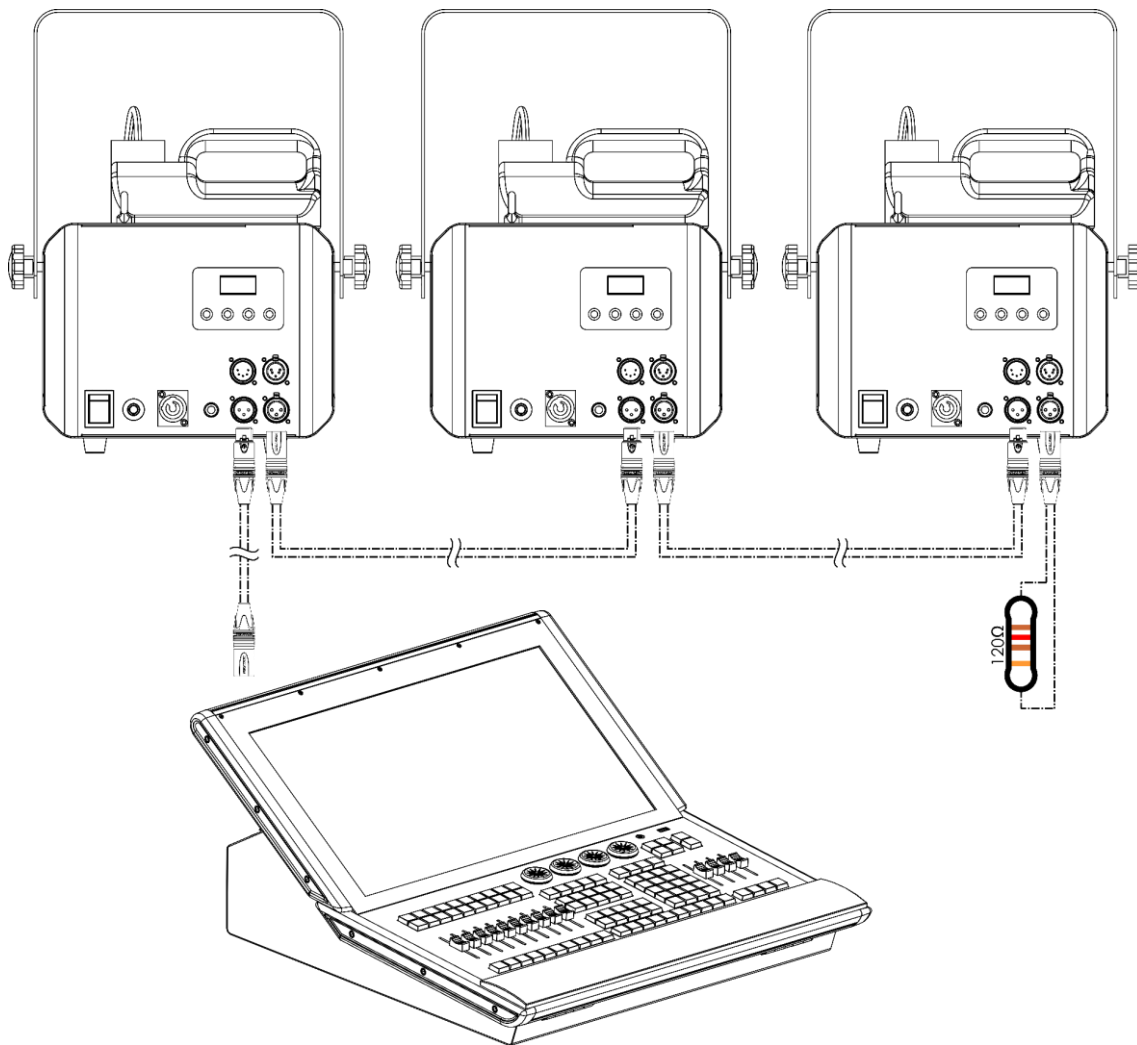


Fig. 07

5.3.4. DMX Addressing

In a setup with multiple devices, make sure that you set the DMX starting address of each device correctly. The Stellar FZ-1000 Fazer has 1 personality: 2 channels.

If you want to connect multiple devices on one data link and use them in 2-channel mode, for example, follow the steps below:

- 01) Set the starting address of the 1st device on the data link to 1 (001).
- 02) Set the starting address of the 2nd device on the data link to 3 (003), as $1 + 2 = 3$.
- 03) Set the starting address of the 3rd device on the data link to 5 (005) as $3 + 2 = 5$.
- 04) Continue assigning the starting addresses of the remaining devices by adding each time 2 to the previous number.

Make sure that you do not have any overlapping channels in order to control each Stellar FZ-1000 Fazer correctly. If two or more devices are addressed similarly, they will work similarly.

6. Operation

6.1. Safety Instructions for Operation



Attention

This device must be used only for the purposes it is designed for.

This device is designed to be used as a professional fog effect. Any incorrect use may lead to hazardous situations and result in injuries and material damage. This device is not suitable for households.

Any other use, not mentioned under intended use, is regarded as non-intended and incorrect use.



Attention

Power supply

Before connecting the device to the power supply, make sure that the current, voltage and frequency match the input voltage, current and frequency specified on the information label on the device.

6.2. Recommended Fog Fluid

It is recommended to operate the device with the following fog fluids. Other fog liquids may cause poor effect or damage the device.

- Product code: [60603](#) – Showgear Fog Fluid 5 L
- Product code: [60637](#) – Showgear Fog Fluid 5 L High density

6.3. Filling the Tank



WARNING
Risk of explosion caused by incorrect handling

- Do not add flammable liquids such as perfume and alcohol to the fog fluid.
- Operate the device only with the fluids recommended in this user manual.
- Make sure that you do not to exceed the maximum fluid level. Do not overfill!

To fill the tank, follow the steps below:

- 01) Do not disconnect the safety cable.
- 02) Unscrew the lid on the fluid tank, as shown in Fig. 08.
- 03) Take out the fluid tank, as shown in Fig. 09.

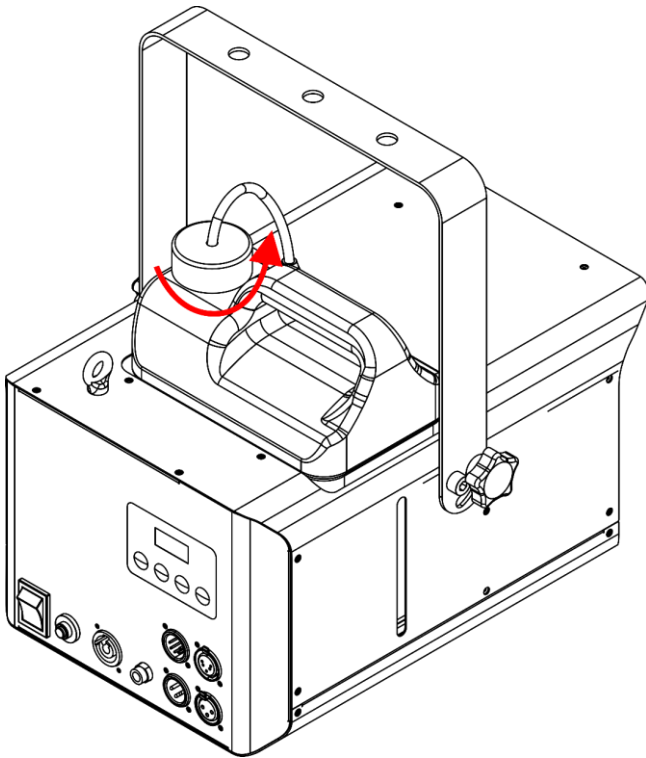


Fig. 08

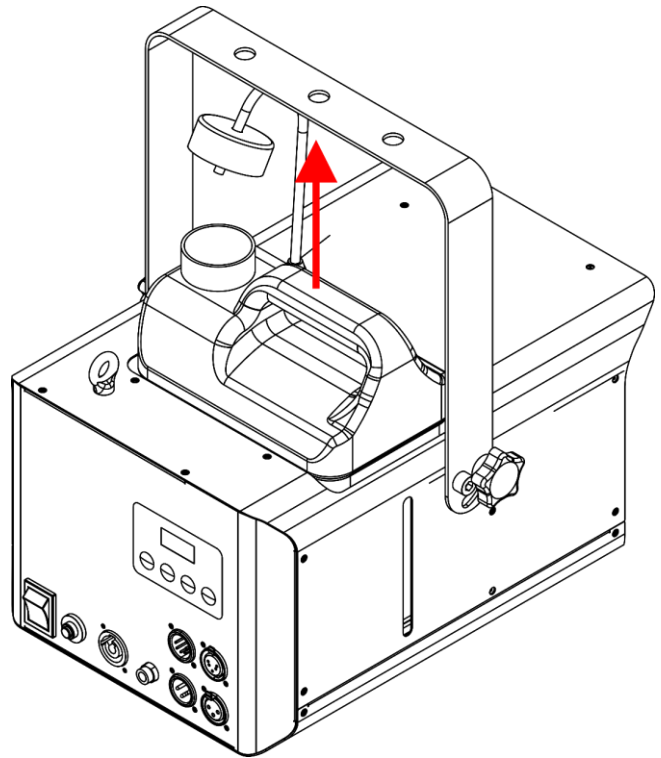


Fig. 09

- 04) Place the fluid tank on a flat surface near the device, as shown in Fig. 10.
- 05) Use a funnel to pour the fog fluid into the tank, as shown in Fig. 11.

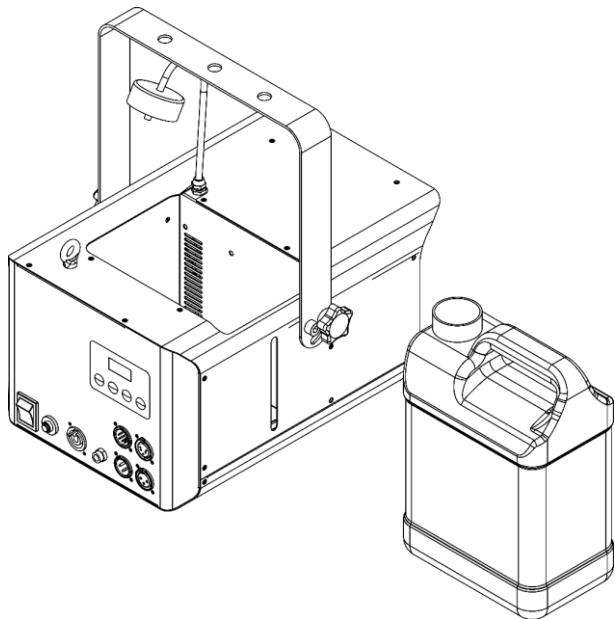


Fig. 10

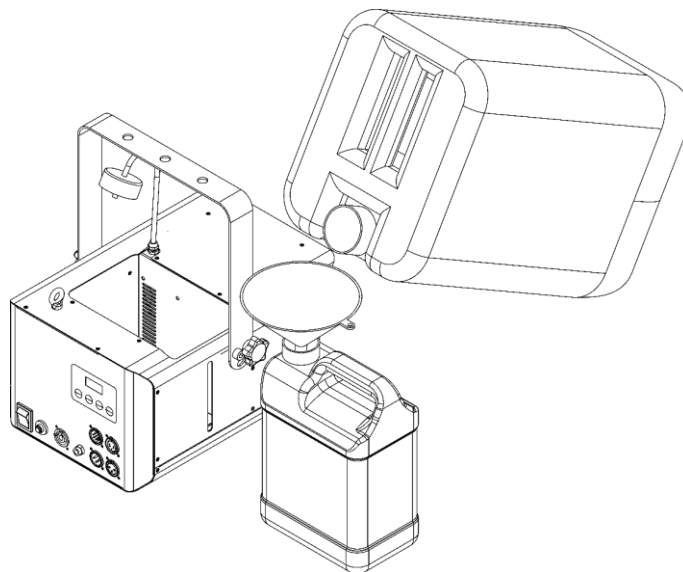


Fig. 11

- 06) Fill the fluid container with the recommended fog fluid (Max. Fluid Tank Capacity 4 L). Make sure that you do not overfill.
- 07) Put the fluid tank back in the device, as shown in Fig. 12.
- 08) Screw the lid back on the fluid tank, as shown in Fig. 13.
- 09) Wait for the device to heat up. This will take a maximum of 3 minutes.

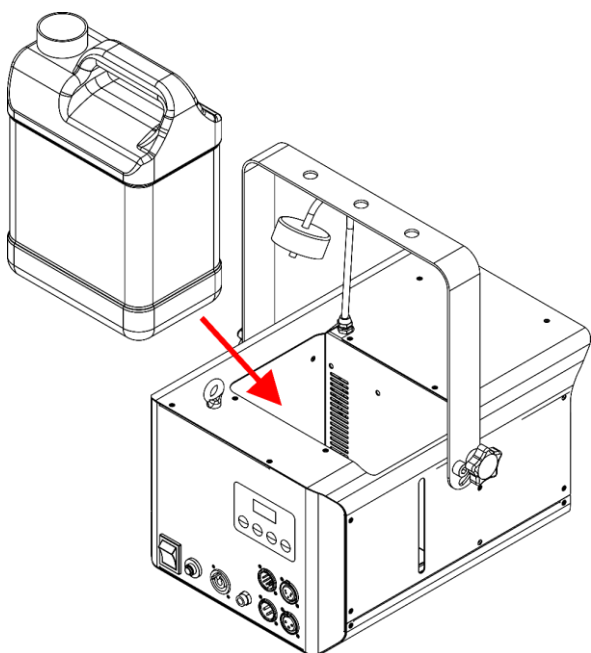


Fig. 12

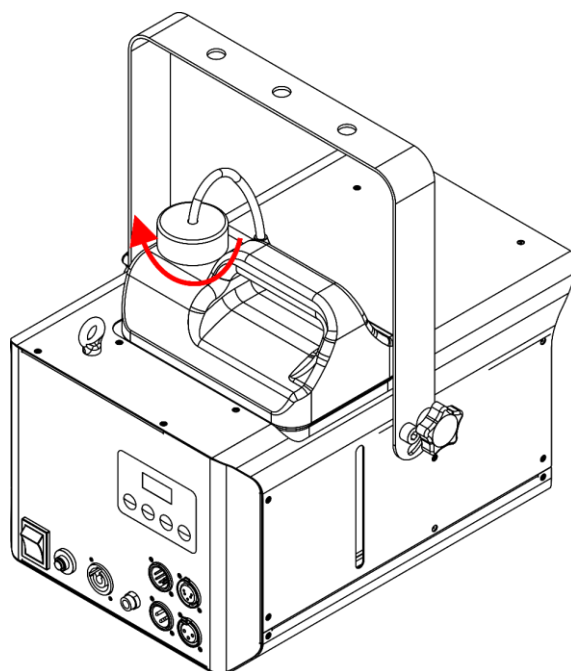


Fig. 13

Notes:

- Do not allow the fog liquid to become contaminated. Always replace the caps on the fog liquid container and the fog machine liquid tank immediately after filling.

6.4. Emptying the Tank after Operation

To empty the tank, follow the steps below:

- 01) Do not disconnect the safety cable.
- 02) Unscrew the lid on the fluid tank, as shown in Fig. 14.
- 03) Take out the fluid tank, as shown in Fig. 15.

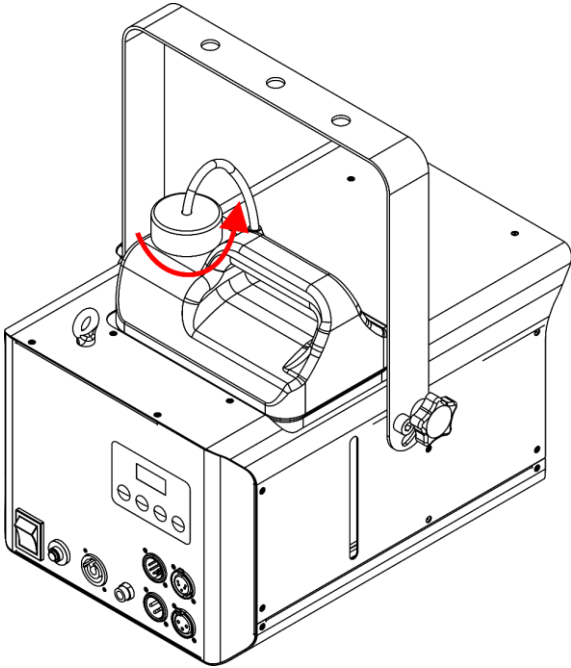


Fig. 14

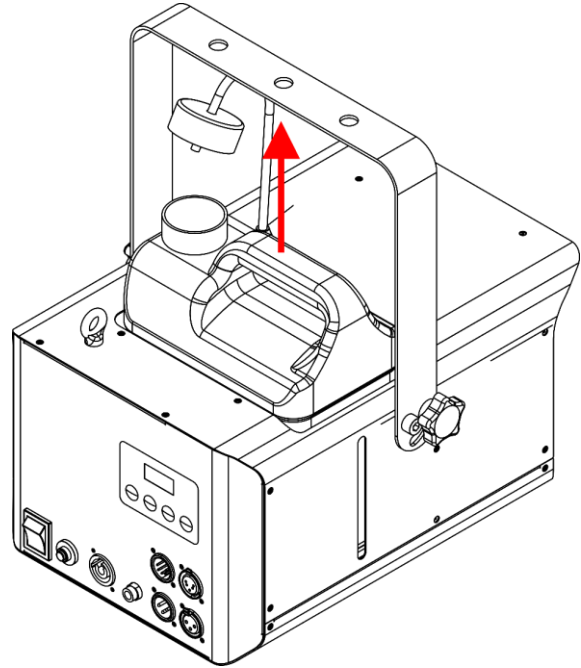


Fig. 15

- 04) Place the fluid tank on a flat surface near the device, as shown in Fig. 16.
- 05) Use a funnel to pour the fog fluid from the tank into original fog fluid jerry can, as shown in Fig. 17.

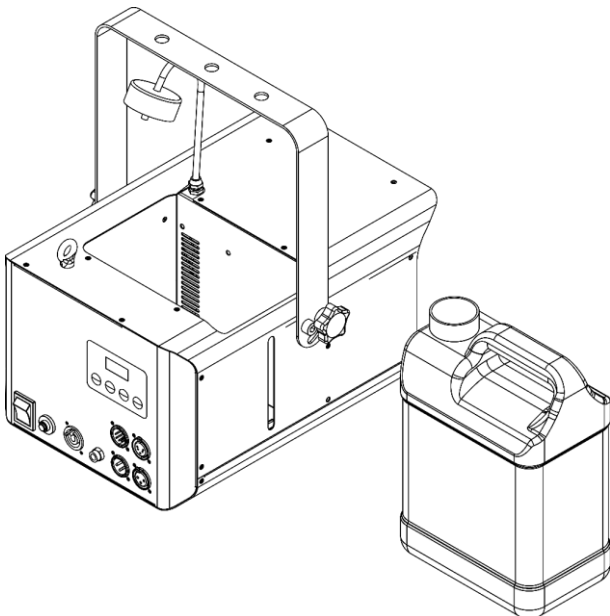


Fig. 16

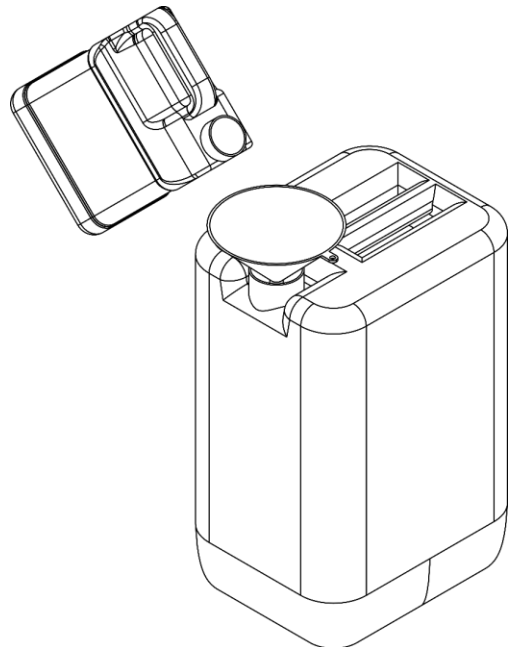


Fig. 17

- 06) Fill the jerry can with the exact fog fluid. Do not mix different types of fog fluid. Make sure that you do not overfill.

- 07) Put the fluid tank back in the device, as shown in Fig. 18.
- 08) Screw the lid back on the fluid tank, as shown in Fig. 19.

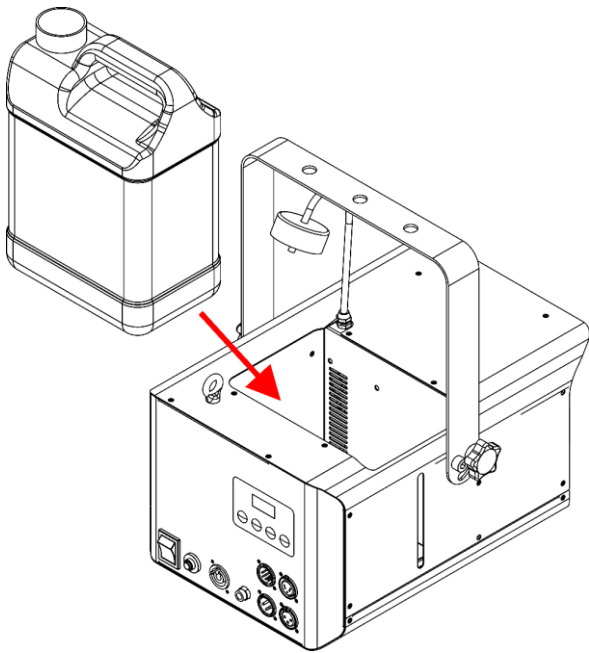


Fig. 18

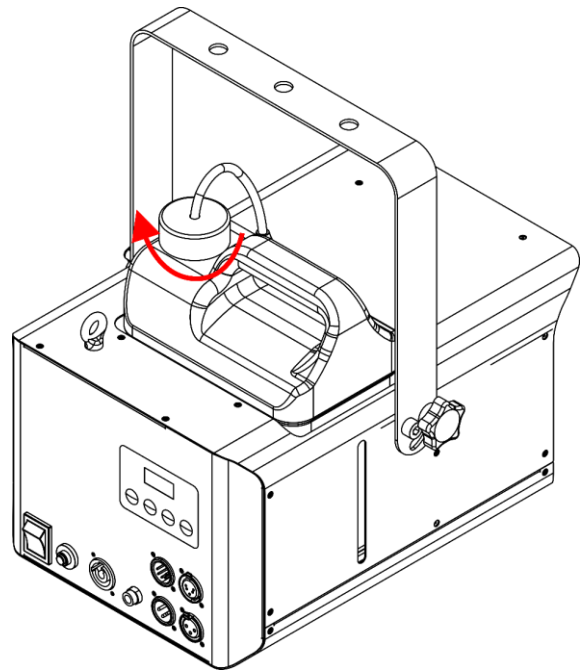


Fig. 19

Notes:

Do not allow the fog liquid to become contaminated. Always replace the caps on the fog liquid container and the fog machine liquid tank immediately after filling.

6.5. Restarting the Device after Running the Tank empty

When running a tank completely empty, the pump will automatically stop fogging to prevent damage to the pump. The display will blink and show:

**NO
FLUID**

- 01) If you refill the tank and try to operate the device, the display will keep displaying this Warning message.
- 02) Make sure you fill the entire tank, let the device reheat and then manually start fogging. This will take a few seconds until the completely emptied lines are filled with fog fluid.

6.6. Control Modes

The Stellar FZ-1000 Fazer supports the following control modes:

- Manual (fog intensity/volume, fan speed)
- Manual via Remote control
- 2 DMX channels

For more information about how to connect the devices, refer to **5. Setup** on pages 17–19.

6.7. Manual Operation

To set up the device, follow the steps below:

- 01) Fill the tank (Fluid Tank Capacity 4 L). See **6.3. Filling the Tank** on pages 21–22 for more information.
- 02) Connect the power cable before supplying power to the device. See **4.5. Connecting to Power Supply** on page 16 for more information.
- 03) Set the **ON/OFF switch (14)** to ON.
- 04) Wait for the device to heat up. This will take a maximum of 3 minutes.
When the device is not 100 % heated you cannot view the menu or change the settings.

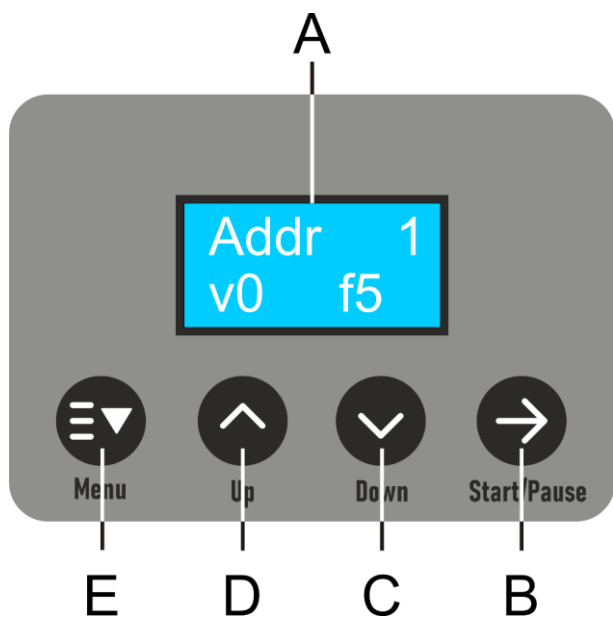
To operate the device manually as a stand-alone device:

- Adjust the output volume in Output Vol menu. See **6.7.4.2. Output Volume** on page 27 for more information.
- Adjust the fan speed. See **6.7.4.3. Fan Speed** on page 27 for more information.
- Adjust the interval volume in Interval menu. See **6.7.4.4. Interval** on page 27 for more information.
- Adjust the duration volume in Duration menu. See **6.7.4.5. Duration** on page 27 for more information.

Notes:

- You cannot constantly fog @100 % until the tank is empty.
In order to constantly fog, you have to adjust the output volume to 40 %. Only then will the device keep fogging until the tank is completely empty.
- Manual operation with the control panel on the device always has priority over the remote control

6.7.1. Control Panel (Device)



- A) LCD display
- B) Start / Pause button
- C) Down button
- D) Up button
- E) Menu button

Fig. 20

- Use the **START / PAUSE** button to start/pause your fog operation.
- Use the **UP** and **DOWN** buttons to increase/decrease numeric values.
- Use the **MENU** button to navigate through the menus.

6.7.2. Start-up

Upon start-up, the display will show the current software version.

Version
1.2

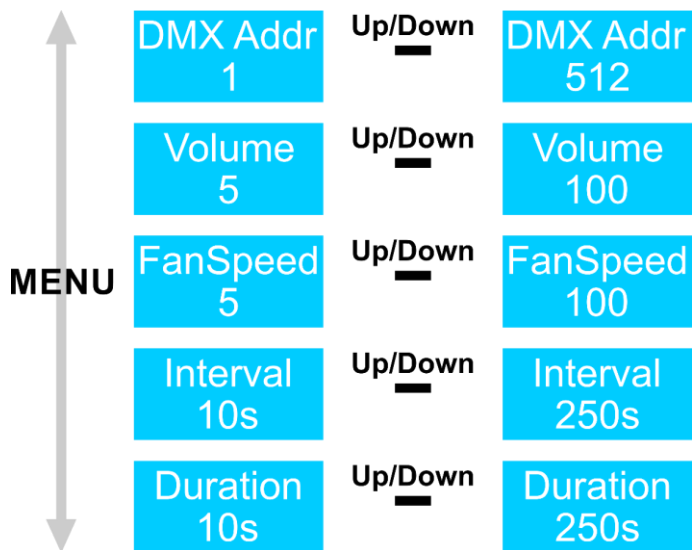
Before you are able to see the main menu or change settings, you have to wait until the device is fully heated. The display will show:

Heating
=====

When the device is fully heated, the display will show:

READY

6.7.3. Menu Overview



Notes:

- Manual operation with the control panel on the device always has priority over the remote control.

6.7.4. Main Menu Options

The main menu has the following options:

DMX Addr
1

Volume
5

FanSpeed
5

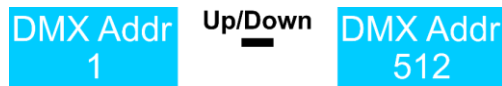
Interval
10s

Duration
10s

Press the **MENU** button to navigate through the main menu.

6.7.4.1. DMX Address

In this menu you can set the DMX address.



Press the **UP/DOWN** buttons to set the desired DMX address. The adjustment range is 001–512.

6.7.4.2. Output Volume

In this menu you can manually set the output volume.



Press the **UP/DOWN** buttons to set the desired Output volume. The adjustment range is 5–100%.

6.7.4.3. Fan Speed

In this menu you can set the fan speed.



Press the **UP/DOWN** buttons to set the desired fan speed. The adjustment range is between 5–100 %.

6.7.4.4. Interval

In this menu you can set the fog interval.



Press the **UP/DOWN** buttons to set the desired interval time. The adjustment range is between 10–250 sec.

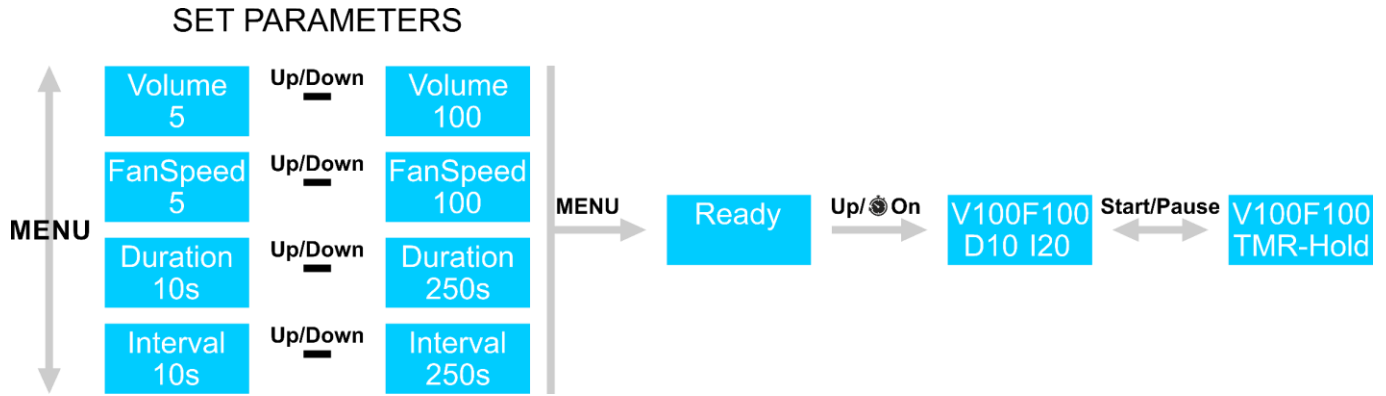
6.7.4.5. Duration

In this menu you can set the duration of the fog output.



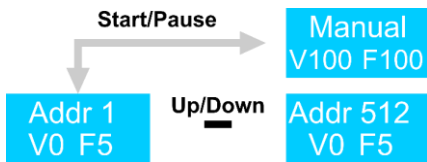
Press the **UP/DOWN** buttons to set the desired duration of your fog output. The adjustment range is 10–250 sec.

6.7.5. Timer Mode



- 01) Set the fog output volume. See **6.7.4.2. Output Volume** on page 27 for more information.
- 02) Set the fan speed. See **6.7.4.3. Fan Speed** on page 27 for more information.
- 03) Set the fog output duration. See **6.7.4.5. Duration** on page 27 for more information.
- 04) Set the interval time between separate fog outputs. See **6.7.4.4. Interval** on page 27 for more information.
- 05) Press the **MENU** button, until the display shows: **Ready**.
- 06) Press the **UP / TIMER ON** button to activate the timer function. The device starts to fog with the parameters set in **6.7.4.2.**, **6.7.4.3.**, **6.7.4.4.** and **6.7.4.5.**
- 07) When you press the **START / PAUSE** button during the timer function, the display shows TMR-Hold and the device starts the manual fogging process at 100%.
- 08) To deactivate the TMR-Hold function, press the **START / PAUSE** button and then press the **DOWN / TIMER OFF** button.
- 09) To deactivate the timer function, press the **DOWN / TIMER OFF** button.

6.7.6. DMX Control Mode



- 01) When you connect a DMX cable to the input of the device, the display shows: Addr 1 V0 F5.
- 02) Press the **UP / TIMER ON** and **DOWN / TIMER OFF** buttons to select the DMX starting address of the device. The selection range is 001–512. See **6.7.4.1. DMX Address** on page 27 and **5.3.4. DMX Addressing** on page 19 for more information.
- 03) When you press and hold down the **START / PAUSE** button during the DMX control mode, the device will blow fog at 100% and the fan will also spin at 100%.
- 04) When you release the **START / PAUSE** button, the device will immediately stop blowing fog and the fan stops spinning.

6.7.7. Manual Mode



- 01) Set the fog output volume. See **6.7.4.2. Output Volume** on page 27 for more information.
- 02) Set the fan speed. See **6.7.4.3. Fan Speed** on page 27 for more information.
- 03) Press the **MENU** button, until the display shows: **Ready**.
- 04) When you press the **START / PAUSE** button during the DMX control mode, the device will blow fog at 100%.
- 05) To deactivate the manual mode, press the **START / PAUSE** button. the device will immediately stop blowing fog and the fan stops spinning.

6.8. Manual Operation with Remote Control SR-1

To set up the device, follow the steps below:

- 01) Fill the tank (Fluid Tank Capacity 4 L). See **6.3. Filling the Tank** on pages 21–22 for more information.
- 02) Connect the power cable before supplying power to the device. See **4.5. Connecting to Power Supply** on page 16 for more information.
- 03) Set the **ON/OFF switch (14)** to ON.
- 04) Wait for the device to heat up. This will take a maximum of 3 minutes.
When the device is not 100 % heated you cannot view the menu or change the settings.

To operate the device manually as a stand-alone device:

Set the **fog switch (18)** on the remote to ON. The remote's **LED (17)** will switch from red to green. If you set the **fog switch (18)** to OFF, the LED will turn red again.

You can manually set the Output Volume, Interval and Duration, for more information see **6.7.4.2. Output Volume**, **6.7.4.3. Fan Speed**, **6.7.4.4. Interval** and **6.7.4.5. Duration** on page 27.

Notes:

- You cannot constantly fog @100 % until the tank is empty.
In order to constantly fog, you have to adjust the output volume to 40 %. Only then will the device keep fogging until the tank is completely empty.
- Manual operation with the control panel on the device always has priority over the remote control.

6.8.1. Remote Control Functions SR-1

The device can be controlled with a remote control.

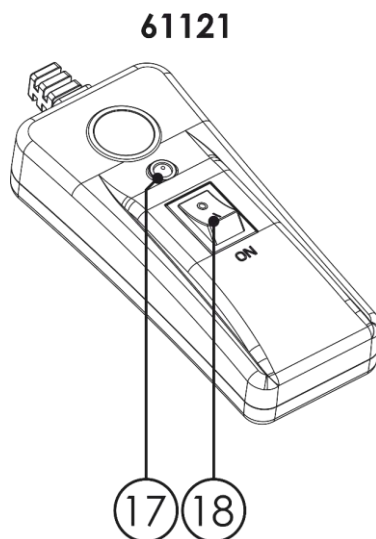


Fig. 21

Number	Functions
17	Red/Green LED indicates status of the fazer
18	Fog ON/OFF

6.9. Manual Operation with Remote Control SR-3

To set up the device, follow the steps below:

- 01) Fill the tank (Fluid Tank Capacity 4 L). See **6.3. Filling the Tank** on pages 21–22 for more information.
- 02) Connect the power cable before supplying power to the device. See **4.5. Connecting to Power Supply** on page 16 for more information.
- 03) Set the **ON/OFF switch (14)** to ON.
- 04) Wait for the device to heat up. This will take a maximum of 3 minutes.
When the device is not 100 % heated you cannot view the menu or change the settings.

To operate the device manually as a stand-alone device:

- 01) Press the cable from the SR-3 remote control into the **6,3mm jack for remote control (11)**. The **MANUAL LED** on the remote starts flashing from green to red. After 2 seconds all 3 LEDs on the remote will light up green.
- 02) Press the **TIMER button (21)** to activate timer function. The **TIMER LED** on the remote starts flashing green. To quit the timer function press the **TIMER button (21)** again and the device immediately stops.
- 03) Turn the **INTERVAL control (19)** to increase / decrease the interval time between separate fog outputs. The adjustment range is from min to max (from short to long).
Note: When the timer control is turned OFF, the output is continuous.
- 04) Turn the **DURATION control (20)** to increase / decrease the fog output duration. The adjustment range is from min to max (from short to long).
- 05) Press the **CONTINUOUS button (22)** to activate continuous function. The **CONTINUOUS LED** on the remote starts flashing green. To quit the continuous function, press the **CONTINUOUS button (22)** again and the device stops after 5 seconds.
- 06) Press and hold the **MANUAL button (23)** to activate manual function. The **MANUAL LED** on the remote starts flashing green. To quit the manual function release the **MANUAL button (23)**, all 3 LEDs on the remote will light up green and the device stops after 5 seconds.

Notes:

- You cannot constantly fog @100 % until the tank is empty.
In order to constantly fog, you have to adjust the output volume to 40 %. Only then will the device keep fogging until the tank is completely empty.
- Manual operation with the control panel on the device always has priority over the remote control.

6.9.1. Remote Control Functions SR-3

The device can be controlled with a remote control.

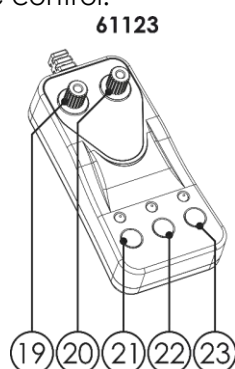


Fig. 22

Number	Functions
19	Interval control to increase / decrease the interval time between separate fog outputs
20	Duration control to increase / decrease the fog output duration
21	Timer ON/OFF
22	Continuous button for continuous output
23	Manual button + Red/Green LED

6.10. DMX Operation

To setup up the device, follow the steps below:

- 01) Fill the tank (Fluid Tank Capacity 4 L). See **6.3. Filling the Tank** on pages 21–22 for more information.
- 02) Connect the DMX cables before supplying power to the device. See **5.3. DMX Connection** on page 17 for more information.
- 03) Connect the power cable before supplying power to the device. See **4.5. Connecting to Power Supply** on page 16 for more information.
- 04) Set the **ON/OFF switch (14)** to ON.
- 05) Wait for the device to heat up. This will take a maximum of 3 minutes. When the device is not 100 % heated you cannot view the menu or change the settings.
- 06) Set the DMX starting address of the device in Address menu. See **6.7.4.1. DMX Address** on page 27 and **5.3.4. DMX Addressing** on page 19 for more information.

Notes:

- You cannot constantly fog @100% until the tank is empty.
In order to constantly fog, you have to adjust the output volume to 40%. Only then will the device keep fogging until the tank is completely empty.
- Manual operation with the control panel on the device always has priority over the remote control.

6.10.1. DMX Channels

2 CH	Function	Value	Setting
1	Output	000–004	No function
		005–255	Fog output 5-100%
2	Fan Speed	000–255	Fan Speed 5-100%

7. Troubleshooting

This troubleshooting guide contains solutions to problems which can be carried out by an ordinary person. The device does not contain user-serviceable parts.

Unauthorized modifications to the device will render the warranty void. Such modifications may result in injuries and material damage.

Refer servicing to instructed or skilled persons. Contact your Highlite International dealer in case the solution is not described in the table.

Problem	Probable cause(s)	Solution
The device does not function at all	No power to the device	<ul style="list-style-type: none"> Check if power is switched on and cables are plugged in
	The circuit breaker	<ul style="list-style-type: none"> Press the circuit breaker again to startup the device
The device does not respond to DMX control	The controller is not connected	<ul style="list-style-type: none"> Connect the controller
	The signal is reversed. The 3-pin/5-pin DMX OUT of the controller does not match the DMX IN of the device	<ul style="list-style-type: none"> Install a phase-reversing cable between the controller and the device
	The controller is defective	<ul style="list-style-type: none"> Try using another controller
The device responds erratically to DMX control	Bad data link connection	<ul style="list-style-type: none"> Examine connections and cables. Correct poor connections. Repair or replace damaged cables
	The data link is not terminated with a 120 Ω termination plug	<ul style="list-style-type: none"> Insert a termination plug in the DMX OUT connector of the last device on the link
	Incorrect addressing	<ul style="list-style-type: none"> Check address settings and correct, if necessary
	In case of a setup with multiple devices, one of the devices is defective and disturbs data transmission on the link	<ul style="list-style-type: none"> To find out the defective device, bypass one device at a time until normal operation is restored
No fog output	Device is too hot	<ul style="list-style-type: none"> Allow device to cool down. Make sure that air vents are not blocked.
	The device is damaged	<ul style="list-style-type: none"> Disconnect the device and contact your Highlite International dealer
	The power supply settings do not match local AC voltage and frequency	<ul style="list-style-type: none"> Disconnect the device. Check the settings and correct, if necessary
	The fluid pipes or the fog output nozzle (03) are clogged.	<ul style="list-style-type: none"> Clean the fluid pipes. See 8.2.1. Basic Cleaning Instructions and 8.2.2. Cleaning the Fluid Pipes on pages 31–32
	Incompatible fog fluid	<ul style="list-style-type: none"> Use the recommended fog fluid. See 6.2. Recommended Fog Fluid on page 20
Fog output nozzle is sputtering	Incompatible fog fluid	<ul style="list-style-type: none"> Use the recommended fog fluid. See 6.2. Recommended Fog Fluid on page 20
Device does not function correctly. (Error message: NO FLUID)	Tank is empty	<ul style="list-style-type: none"> Fill the tank. See 6.3. Filling the Tank on pages 21–22
	Fluid pipes are empty	<ul style="list-style-type: none"> Restart the device. See 6.5. Restarting the Device after Running the Tank empty on page 24

8. Maintenance

8.1. Safety Instructions for Maintenance



DANGER
Electric shock caused by dangerous voltage inside

Disconnect power supply before servicing or cleaning.



WARNING
Risk of burns due to hot surface

Allow the device to cool down for at least 15 minutes before servicing or cleaning.

8.2. Preventive Maintenance



Attention
Before each use, examine the device visually for any defects.

Make sure that:

- All screws used for installing the device or parts of the device are tightly fastened and are not corroded.
- The safety devices are not damaged.
- There are no deformations on housings, fixations and installation points.
- The power cables are not damaged and do not show any material fatigue.

8.2.1. Basic Cleaning Instructions

The device must be cleaned periodically from the built-up dust and fog fluid residues.

To clean the device, follow the steps below:

- 01) Disconnect the device from the electrical power supply.
- 02) Allow the device to cool down for at least 1 hour.
- 03) Remove the dust collected on the external surface with dry compressed air and a soft brush.
- 04) Clean the fog fluid residues from the **fog output nozzle (03)** with a damp cloth. Use only a clean, lint-free soft cloth.
- 05) Clean the DMX and other connections with a damp cloth.



Attention

- Do not immerse the device in liquid.
- Do not use alcohol or solvents.
- Make sure that the connections are fully dry before connecting the device to the power supply and to other devices.

8.2.2. Cleaning the Fluid Pipes

The device must be cleaned periodically from the fog fluid residues. After every 40 hours of continuous operation, it is recommended to run a cleaning solution composed of 80 % distilled water and 20 % white vinegar through the system.

To clean the device, follow the steps below:

- 01) Disconnect the device from the electrical power supply.
- 02) Allow the device to cool down for at least 1 hour.
- 03) Clean out debris with vinegar and a pipe cleaner, making sure that the **fog output nozzle (03)** is free of clogs.
- 04) Remove all fog liquid from the tank. See **6.4. Emptying the Tank after operation** on pages 23–24 for more information.
- 05) Add a cleaning solution to tank.
- 06) Connect the power cable before supplying power to the device. See **4.5. Connecting to Power Supply** on page 16 for more information.
- 07) Make sure that you run the device until tank is empty.
- 08) Make sure that you use the device in spaces that have good airflow.
- 09) Repeat this 2-4 times.
- 10) Refill with fog liquid.

8.3. Corrective Maintenance

The device does not contain user-serviceable parts. Do not open the device and do not modify the device.

Refer repairs and servicing to instructed or skilled persons. Contact your Highlite International dealer for more information.

9. Deinstallation, Transportation and Storage

9.1. Instructions for Deinstallation



WARNING

Incorrect deinstallation can cause serious injuries and damage of property.

- Let the device cool down before dismounting.
- Disconnect power supply before deinstallation.
- Always observe the national and site-specific regulations during deinstallation and derigging of the device.
- Wear personal protective equipment in compliance with the national and site-specific regulations.

9.2. Instructions for Transportation

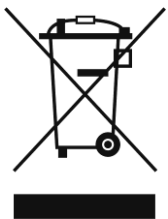
- Make sure that the liquid tank is empty before transportation.
- Use the original packaging to transport the device, if possible.
- Always observe the handling instructions printed on the outer carton box, for example: "Handle with care", "This side up", "Fragile".

9.3. Storage

- Make sure that the liquid tank is empty before storing the device. See **6.4. Emptying the Tank after operation** on pages 23–24 for more information.
- Clean the device before storing. Follow the cleaning instructions in chapter **8.2.1. Basic Cleaning Instructions** on page 31, and **8.2.2. Cleaning the Fluid Pipes** on page 32.
- Store the device in the original packaging, if possible

10. Disposal

Correct disposal of this product



Waste Electrical and Electronic Equipment

This symbol on the product, its packaging or documents indicates that the product shall not be treated as household waste. Dispose of this product by handing it to the respective collection point for recycling of electrical and electronic equipment. This is to avoid environmental damage or personal injury due to uncontrolled waste disposal. For more detailed information about recycling of this product contact the local authorities or the authorized dealer.

11. Approval



Check the respective product page on the website of Highlite International (www.highlite.com) for an available declaration of conformity.



©2024 Showtec