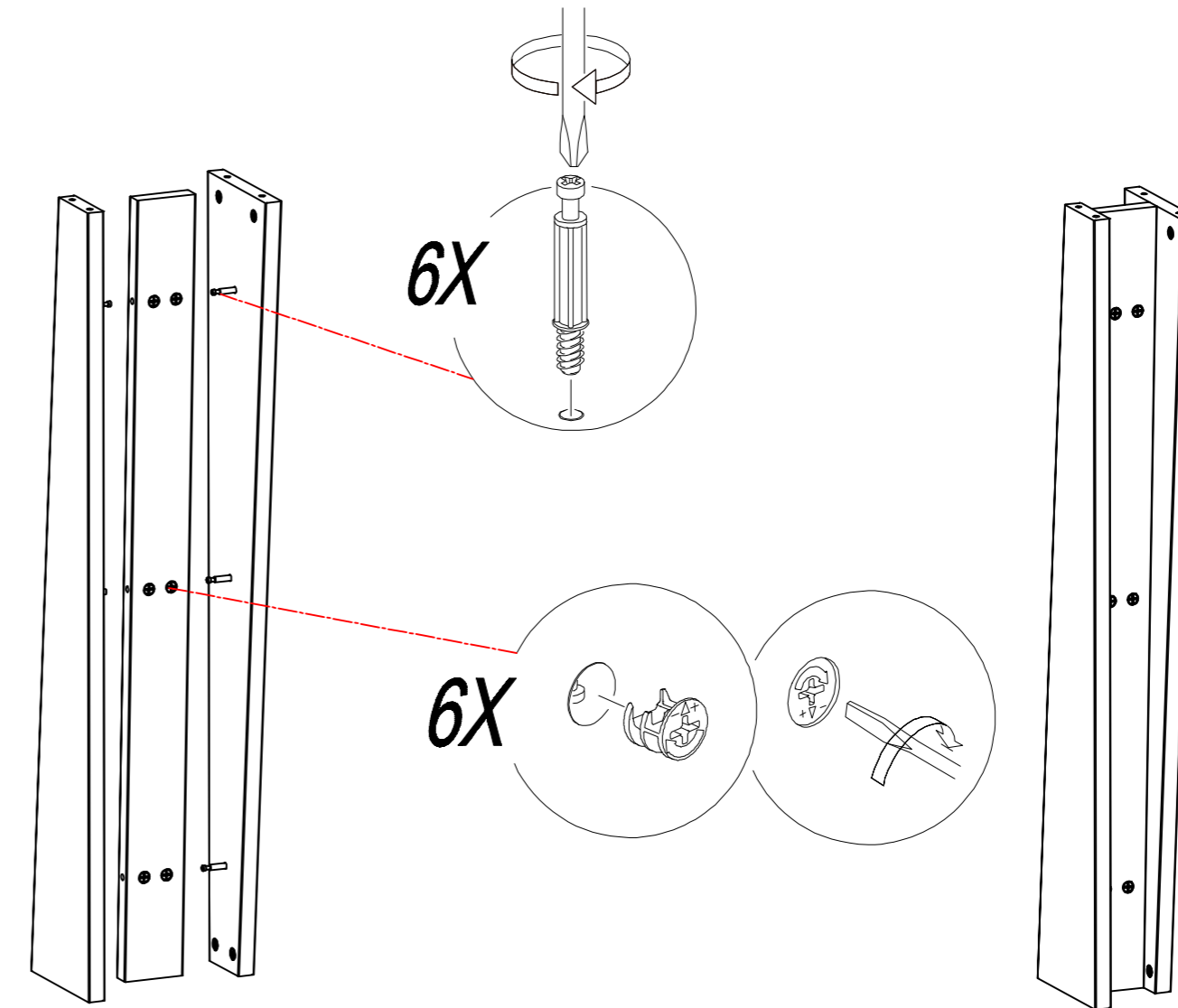
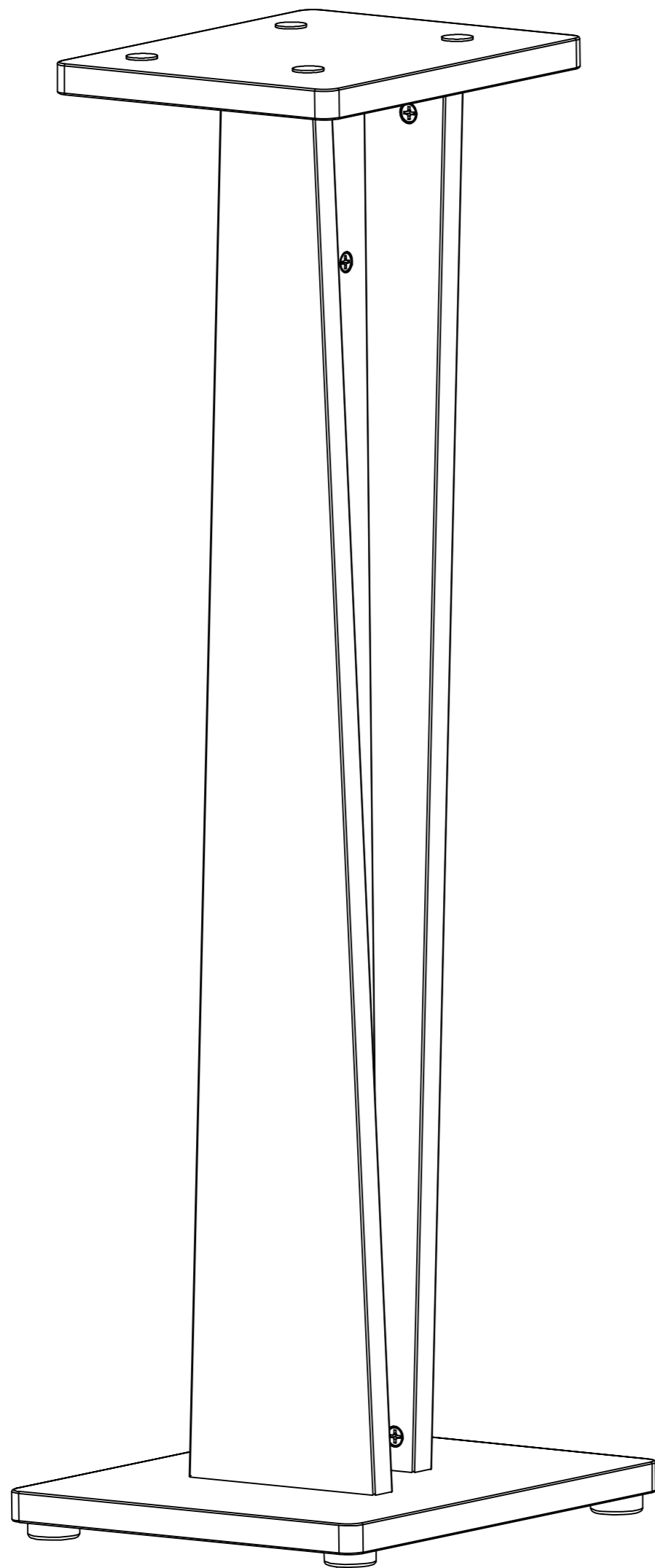
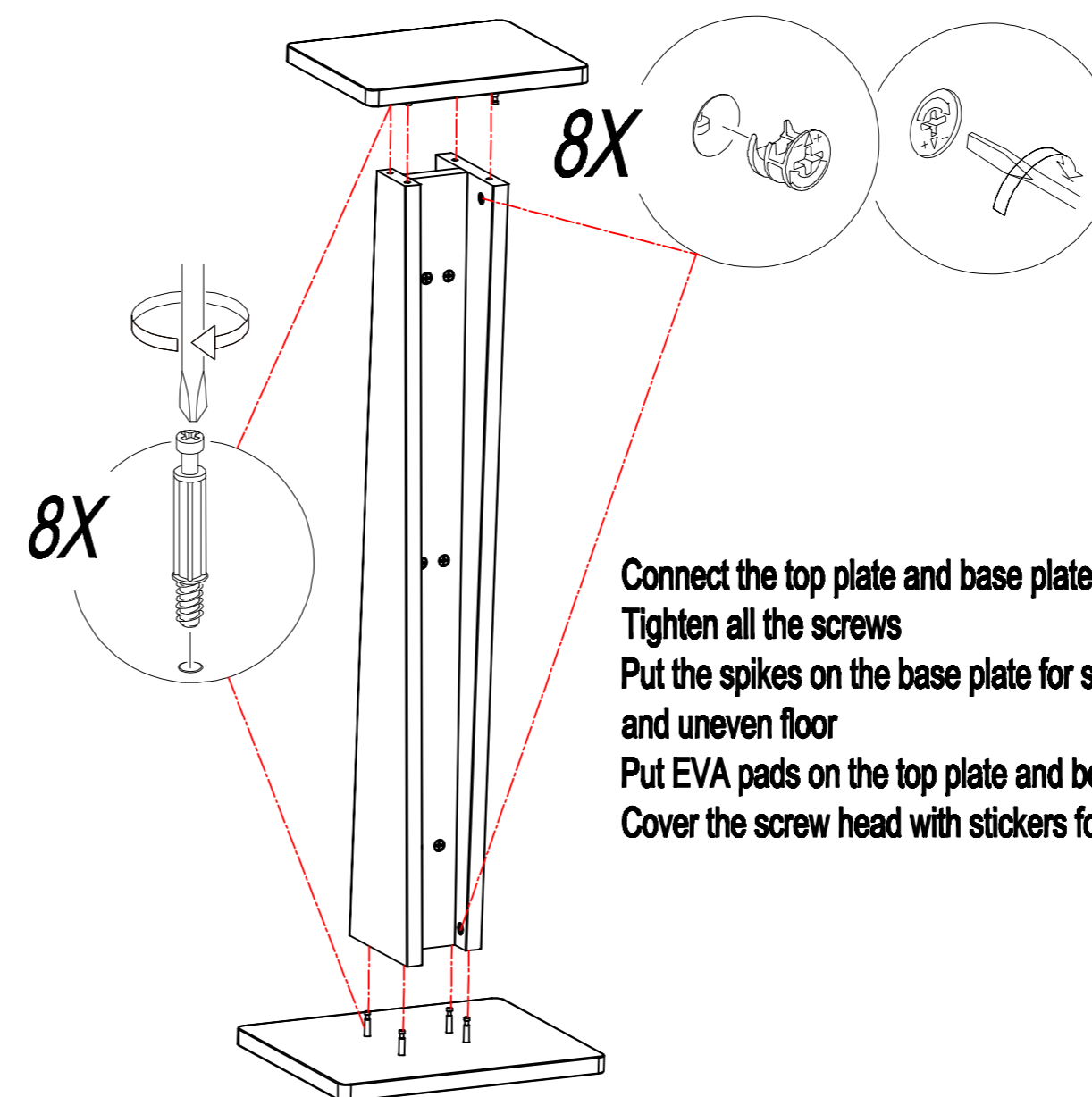


User Manual



Assemble the column of the speaker stand as above drawing



Connect the top plate and base plate with the column
Tighten all the screws
Put the spikes on the base plate for slight height adjustment
and uneven floor
Put EVA pads on the top plate and bottom of spikes incase need
Cover the screw head with stickers for better looking

