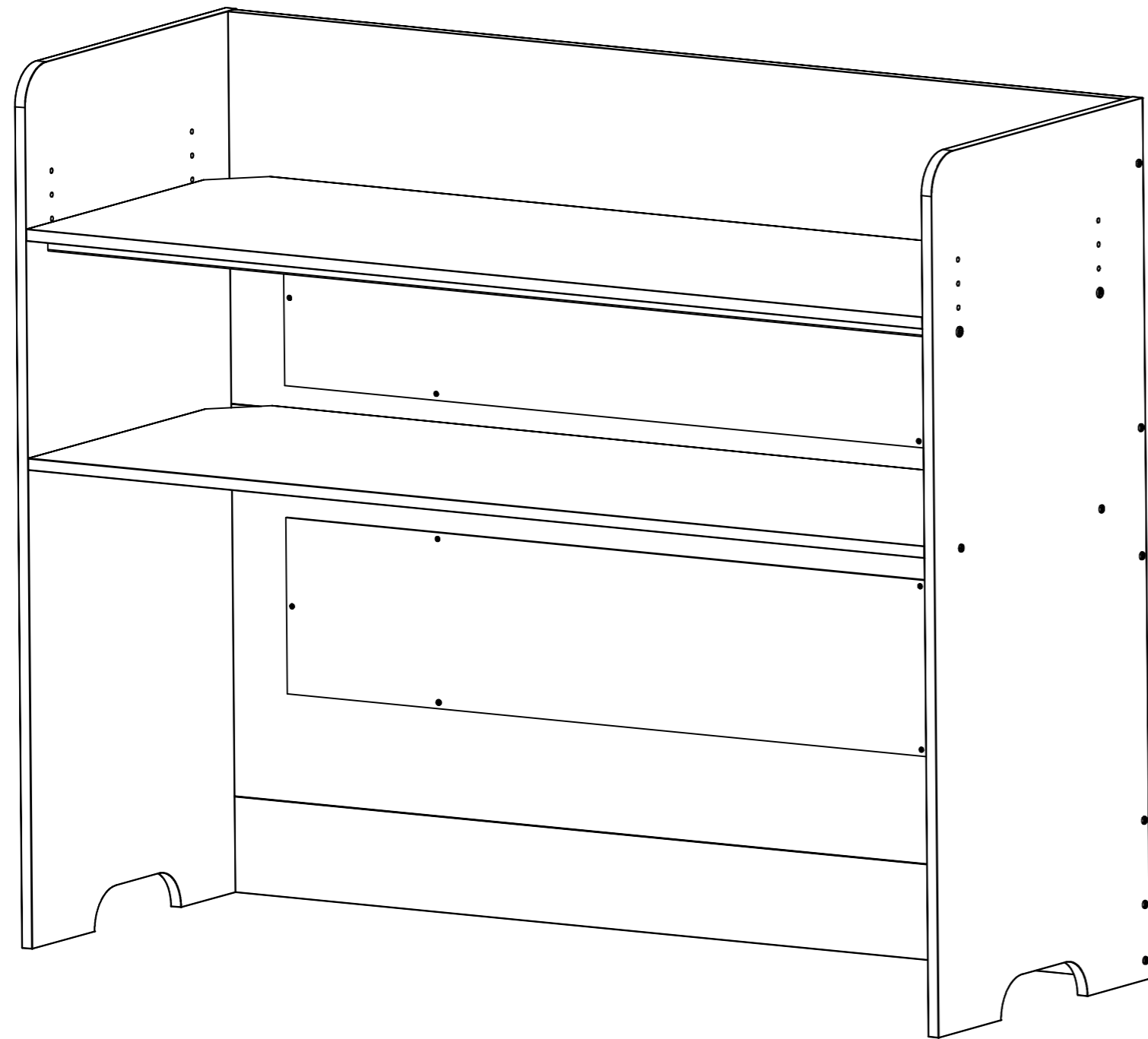
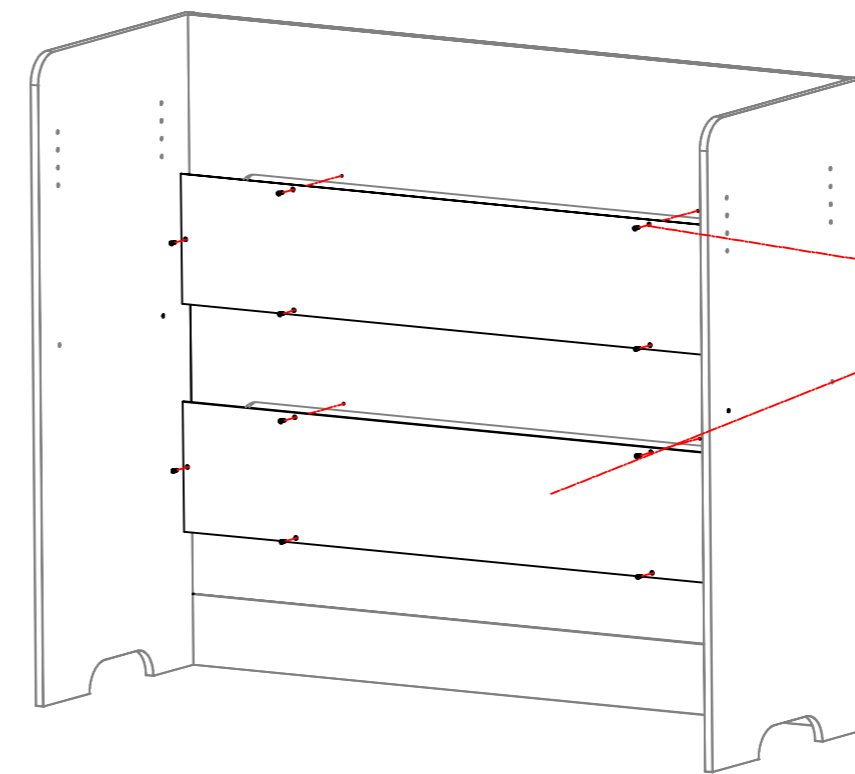


# User Manual

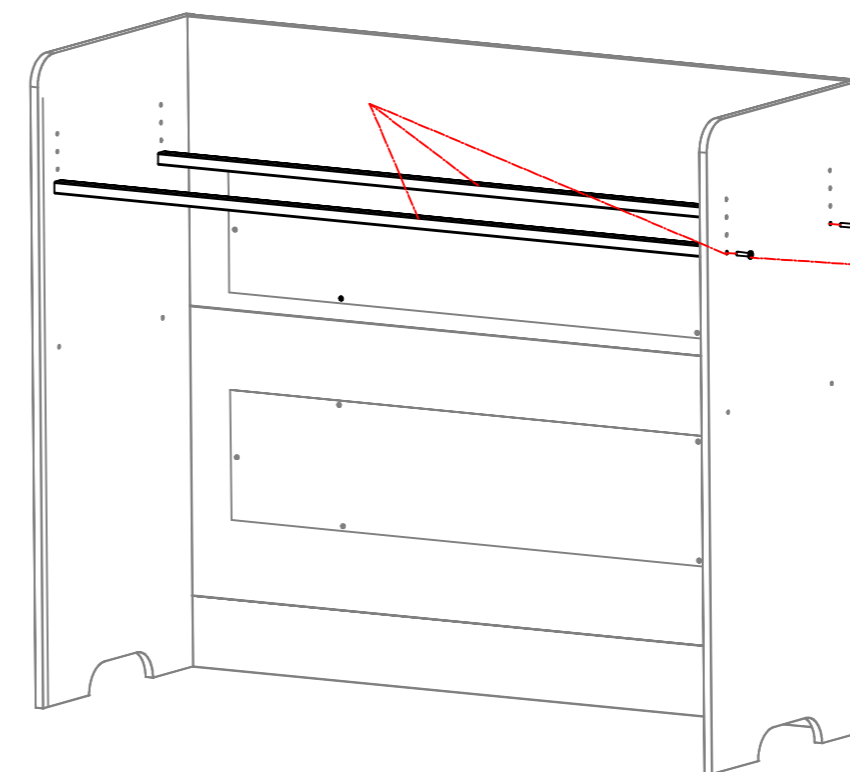


2



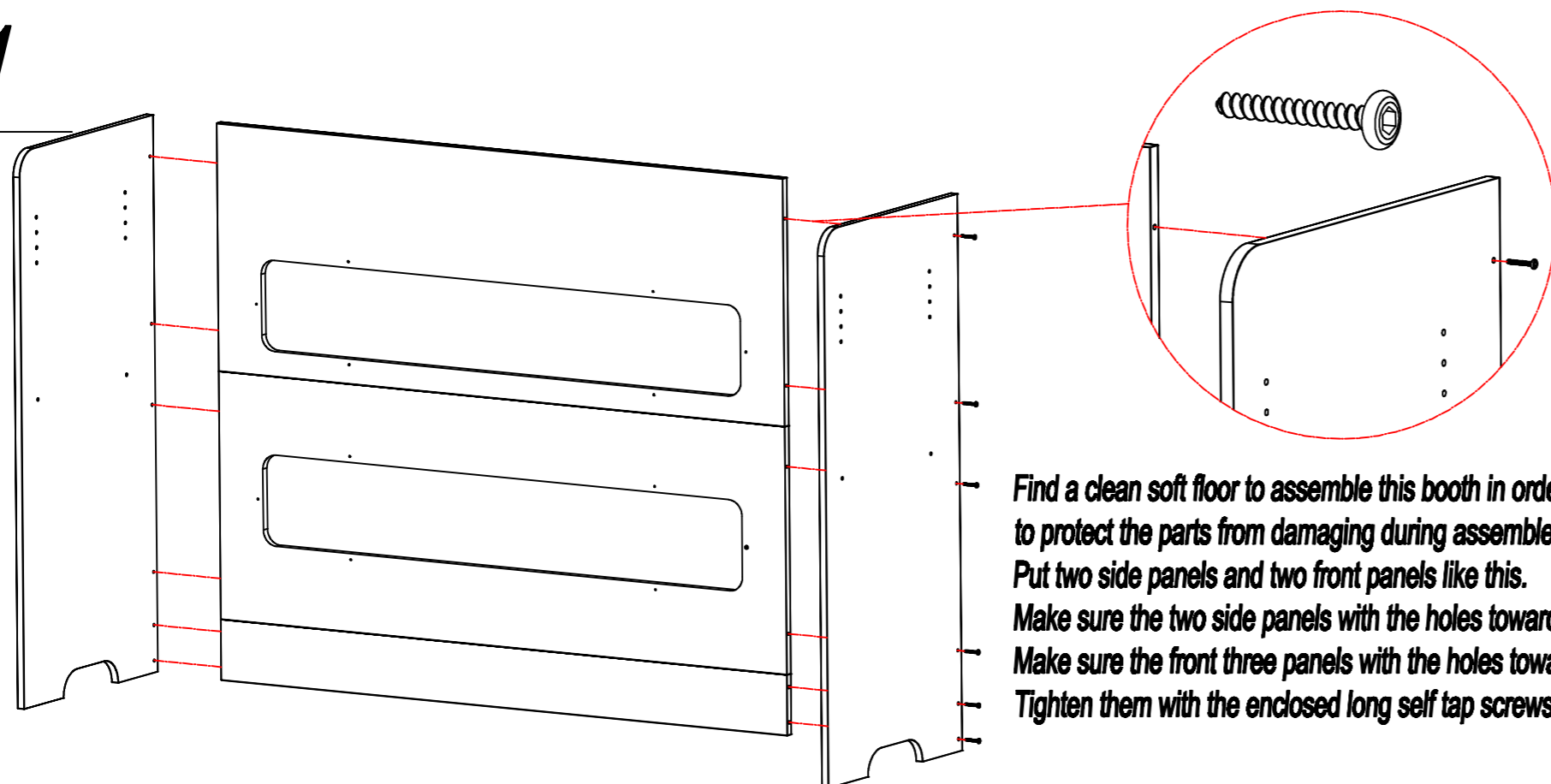
Mount two plastic white boards using the short self tap screws.

3



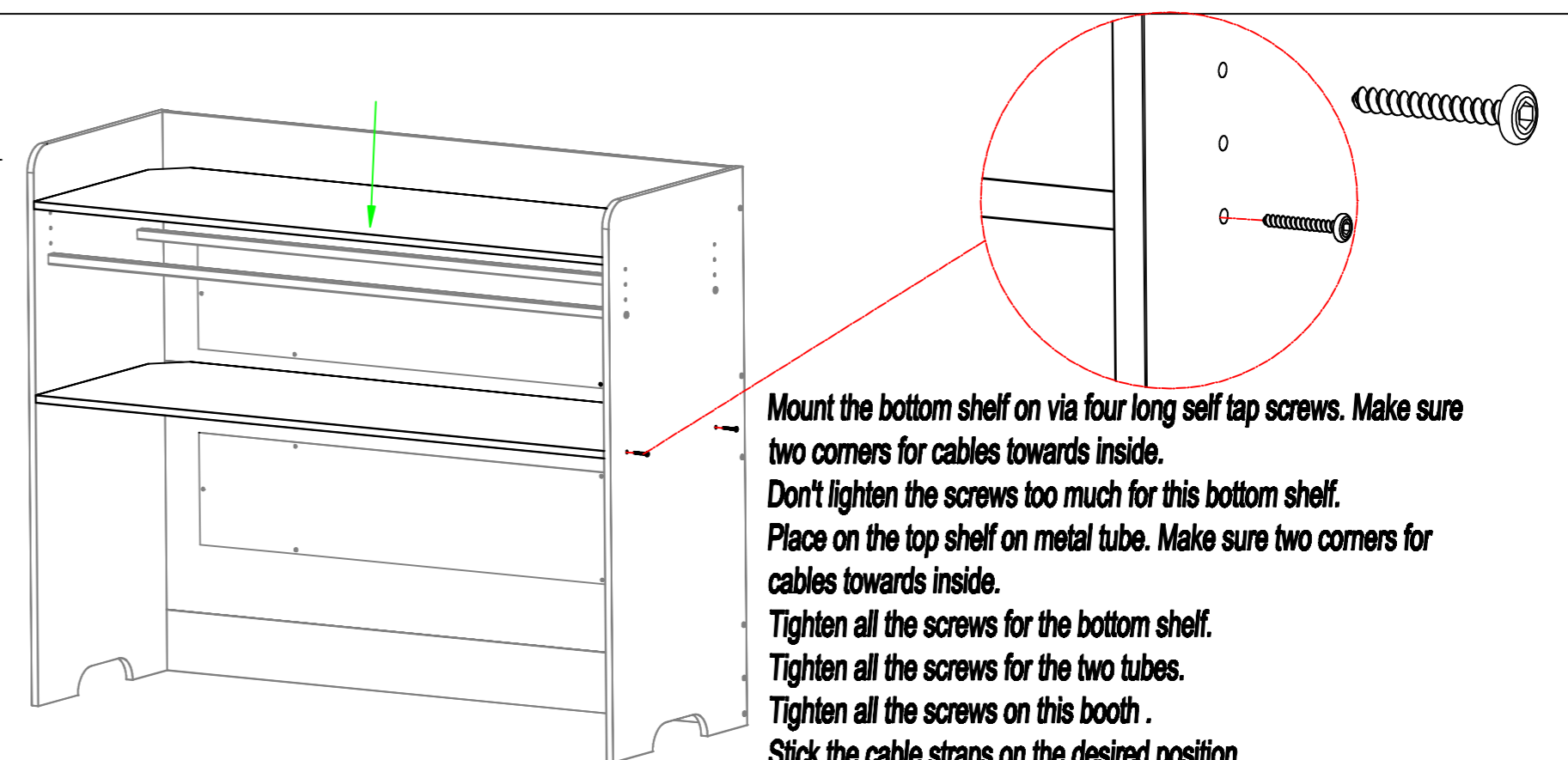
Mount two tubes on the top via four M6 screws. You need to choose the height you need. Don't tighten the screws too much as you need to put on the shelf late on the tube.

1



Find a clean soft floor to assemble this booth in order to protect the parts from damaging during assemble. Put two side panels and two front panels like this. Make sure the two side panels with the holes towards inside. Make sure the front three panels with the holes towards inside. Tighten them with the enclosed long self tap screws.

4



Mount the bottom shelf on via four long self tap screws. Make sure two corners for cables towards inside. Don't tighten the screws too much for this bottom shelf. Place on the top shelf on metal tube. Make sure two corners for cables towards inside. Tighten all the screws for the bottom shelf. Tighten all the screws for the two tubes. Tighten all the screws on this booth. Stick the cable straps on the desired position. It is the time for you to use.