

9.6 JOG DIAL SECTION

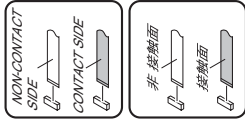
1

2

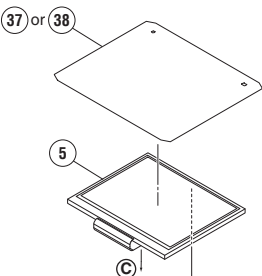
3

4

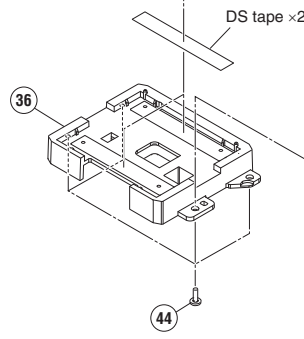
A



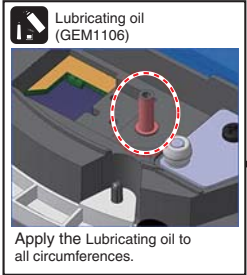
B



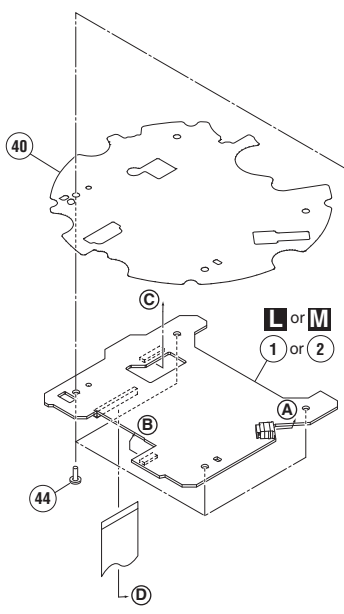
C



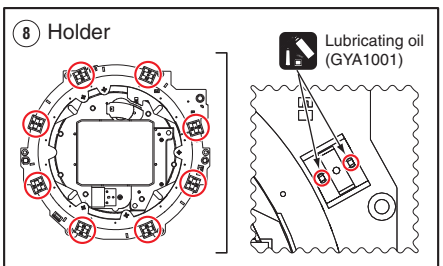
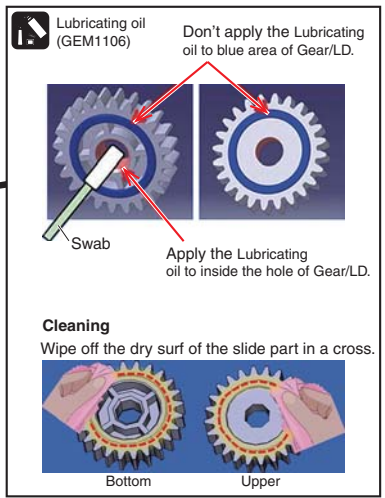
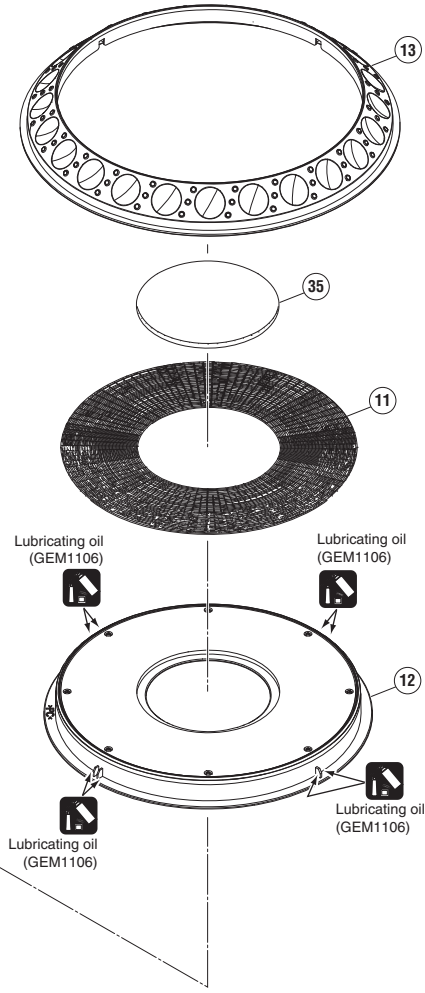
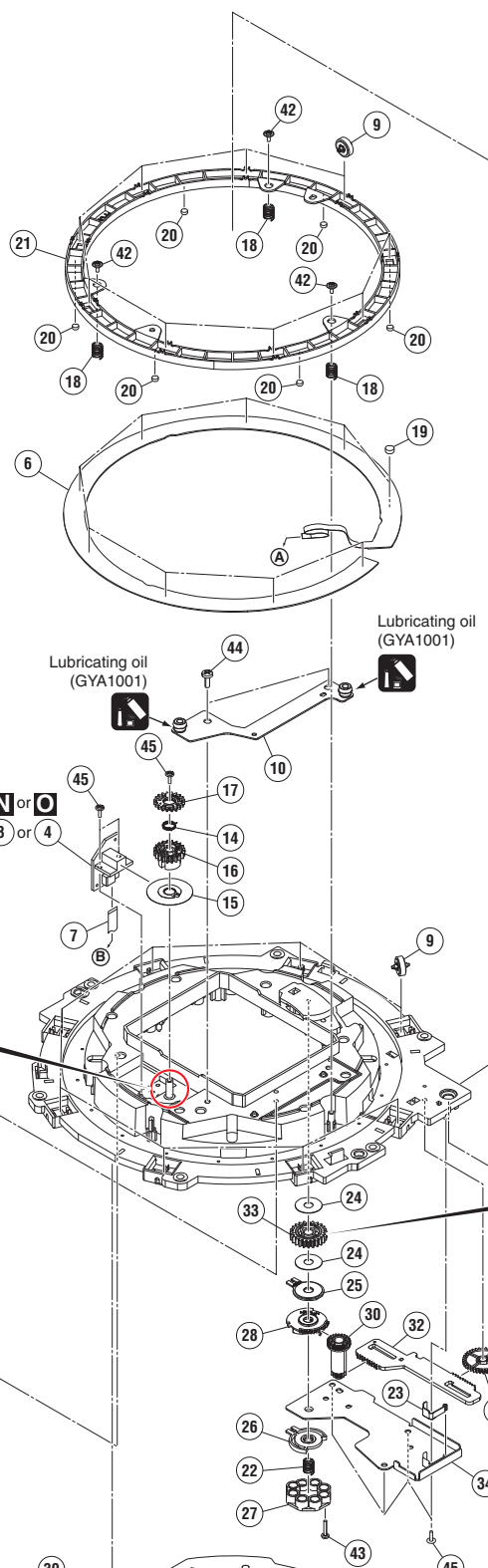
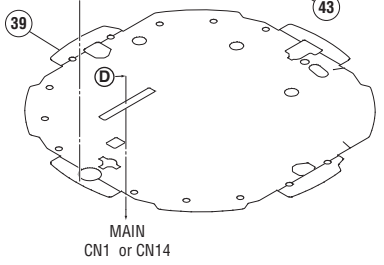
D



E



F



1

2

3

4

(1) JOG DIAL SECTION PARTS LIST

<u>Mark No.</u>	<u>Description</u>	<u>Part No.</u>	<u>Mark No.</u>	<u>Description</u>	<u>Part No.</u>
1	LCDL Assy	DWX4380	26	Comp Plate	DNK5243
2	LCDR Assy	DWX4381	27	Adjust Plate	DNK5300
3	JOGL Assy	DWX4113	28	Cam Plate	DNK5301
4	JOGR Assy	DWX4119	29	Dial Gear	DNK5302
5	TFT LCD	DWX4141	30	Link Gear A	DNK5303
6	Sheet SW	DSX1078	31	Link Gear B	DNK5304
7	FFC	DDD1843	32	Plate	DNK6748
8	Holder	DNK6745	33	Gear/LD	DNK6145
9	Roller	DXB2178	34	Plate	DNH3345
10	Stay Assy/JOG	DXB2133	35	Window	DAH3189
11	JOG Plate	See Contrast table (2)	36	Holder	DNK6749
12	JOG Dial A Assy	DXA2159	37	Sheet	DEC3863
13	JOG B	See Contrast table (2)	38	Sheet	DEC3864
14	Encoder Spring	DBH1710	39	Barrier	DEC3798
15	Plate	DEC3700	40	Barrier	DEC3799
16	Gear/A	DNK6143	41	•••••	
17	Gear/B	DNK6144	42	Screw (FE)	DBA1265
18	SW Spring	DBH1681	43	Screw	BPZ20P100FTC
19	SW Cushion HH48/2	DEC2538	44	Screw	BPZ30P080FNI
20	Cushion/RNG	DEC3466	45	Screw	IPZ20P060FTC
21	SW Ring	DNK5233			
22	Coil Spring/LD	DBH1798			
23	Leaf Spring/ADJ	DBK1376			
24	Washer	DEC3137			
25	Smoother	DNK5237			

(2) CONTRAST TABLE

DDJ-1000SRT and DDJ-1000SRT-W are constructed the same except for the following:

Mark	No.	Symbol and Description	DDJ-1000SRT	DDJ-1000SRT-W
	11	JOG Plate	DAH2679	DAH2898
	13	JOG B	DNK4068	DNK6135