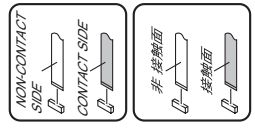
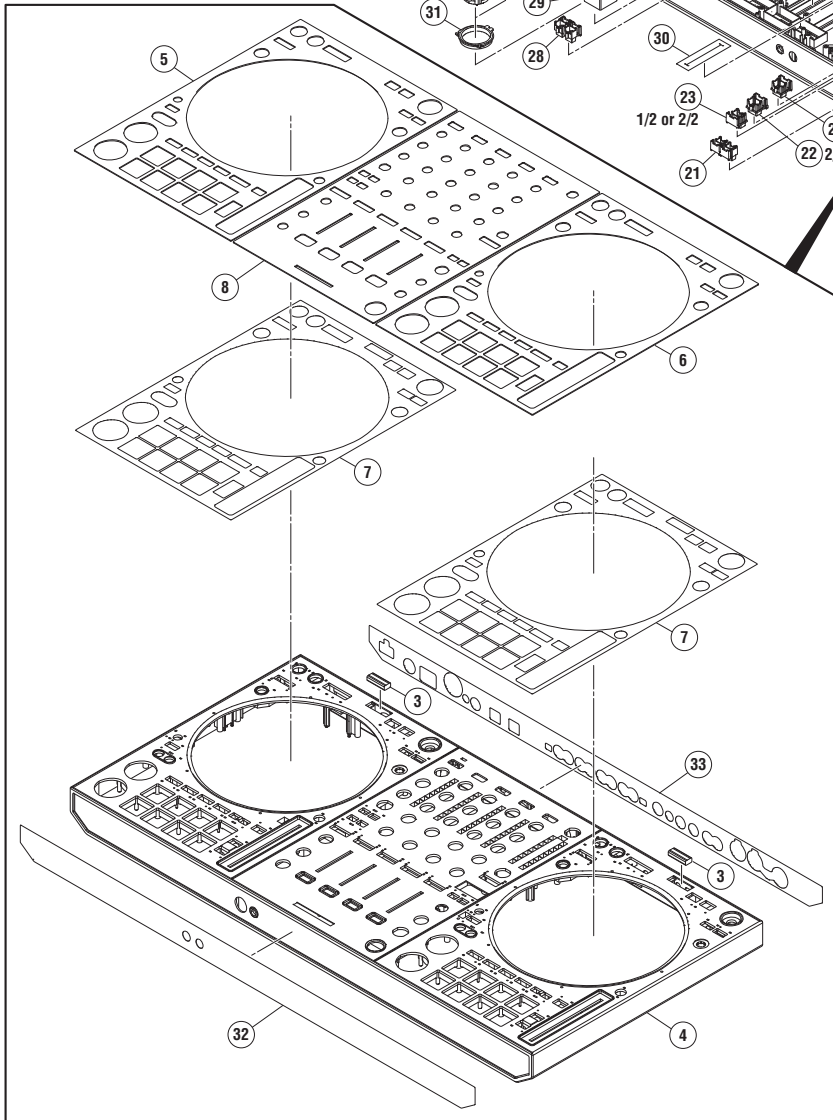
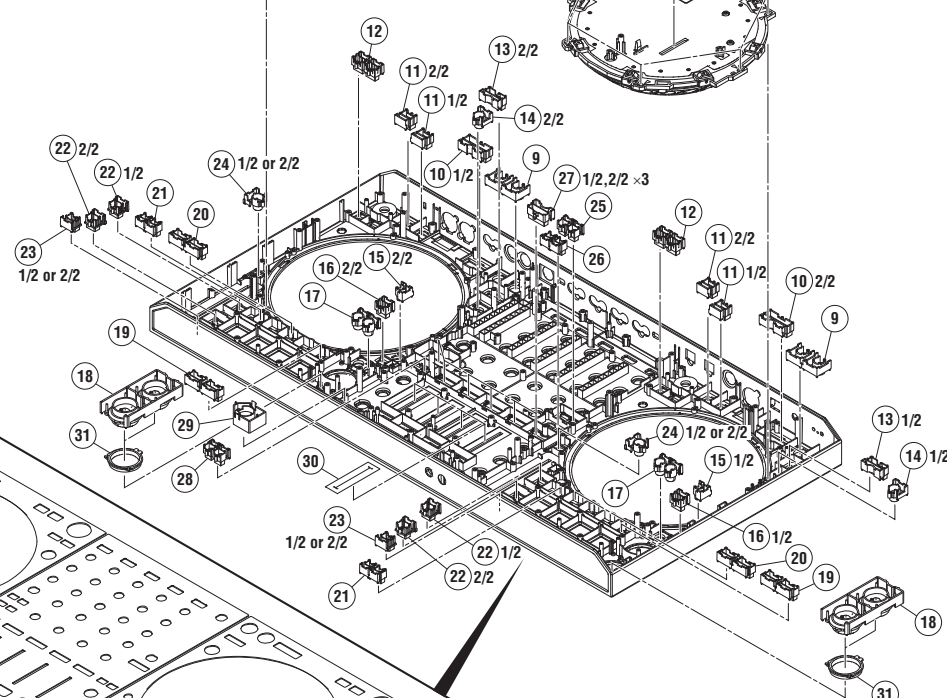
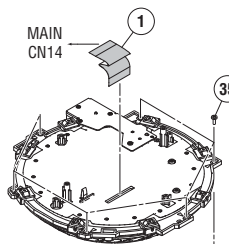
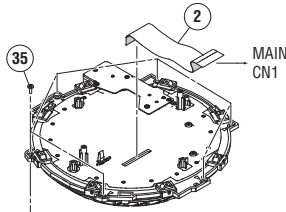
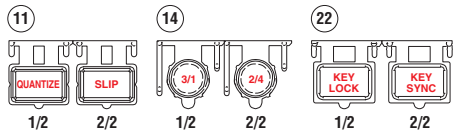


9.5 CONTROL PANEL SECTION (2/2)

A • Bottom view



(1) CONTROL PANEL SECTION (2/2) PARTS LIST

<u>Mark No.</u>	<u>Description</u>	<u>Part No.</u>	<u>Mark No.</u>	<u>Description</u>	<u>Part No.</u>
1	FFC	DDD1837	21	Button	DAC3366
2	FFC	DDD1838	22	Button	DAC3510
3	EMC Gasket	DEC3766	23	Button	DAC3515
⚠	4 Control Panel	See Contrast table (2)	24	Button	DAC3512
5	Plate	See Contrast table (2)	25	Button	DAC3370
6	Plate	See Contrast table (2)	26	Button	DAC3371
7	DS Tape	DEH1095	27	Button	DAC3219
8	Plate	See Contrast table (2)	28	Button	DAC3372
9	Button/LOP	DAC3074	29	Button	DAC3141
10	Button	DAC3514	30	Fader Packing	DEC3355
11	Button	DAC3357	31	Ring Lens (PLAY)	DNK5315
12	Button	DAC3503	32	Sheet	See Contrast table (2)
13	Button	DAC3504	33	Sheet	See Contrast table (2)
14	Button	DAC3360	34	•••••	
15	Button	DAC3361	35	Screw	BPZ30P080FNI
16	Button	DAC3506			
17	Button	DAC3507			
18	Button	DXB2170			
19	Button	DAC3508			
20	Button	DAC3509			

(2) CONTRAST TABLE

DDJ-1000SRT/FWLXJ, SYXJ, UXJCB, XJCN and DDJ-1000SRT-W/UXJ are constructed the same except for the following:

Mark	No.	Symbol and Description	DDJ-1000SRT /FWLXJ	DDJ-1000SRT /SYXJ	DDJ-1000SRT /UXJCB	DDJ-1000SRT /XJCN	DDJ-1000SRT-W /UXJ
⚠	4	Control Panel	DNK6888	DNK6888	DNK6888	DNK6888	DNK6908
	5	Plate	DAH3290	DAH3290	DAH3290	DAH3290	DAH3296
	6	Plate	DAH3291	DAH3291	DAH3291	DAH3291	DAH3297
	8	Plate	DAH3292	DAH3292	DAH3292	DAH3292	DAH3298
	32	Sheet	DEC3865	DEC3865	DEC3865	DEC3865	DEC3894
	33	Sheet	DEC3866	DEC3866	DEC3866	DEC3867	DEC3895