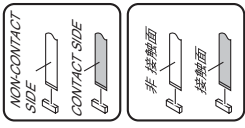
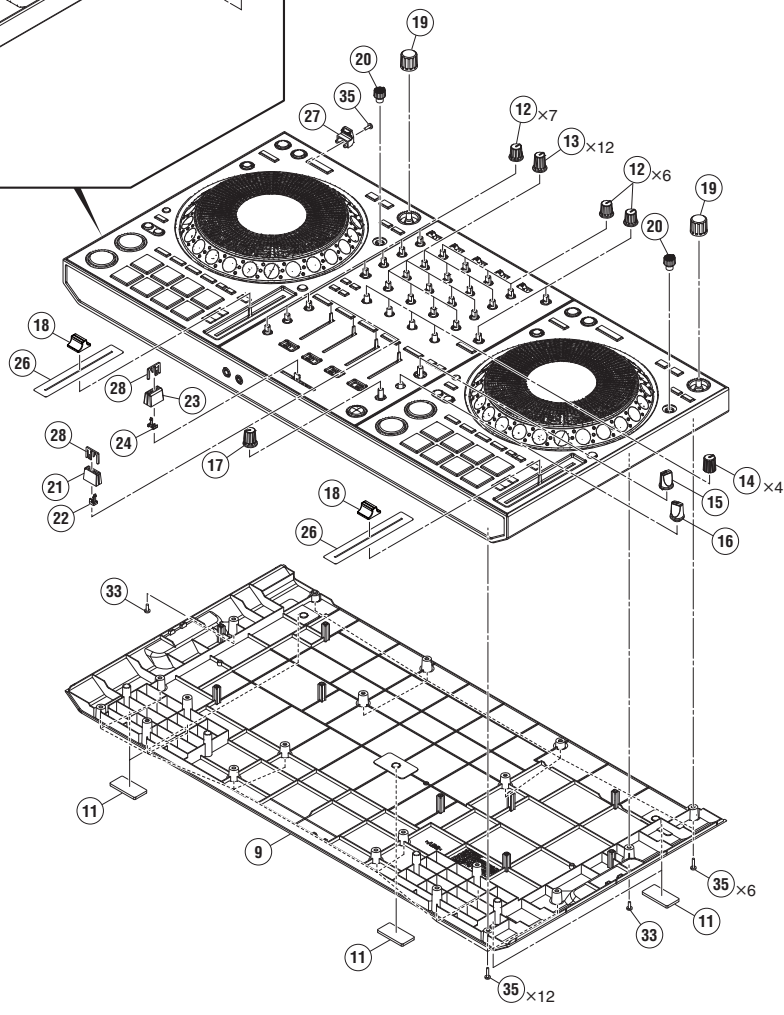
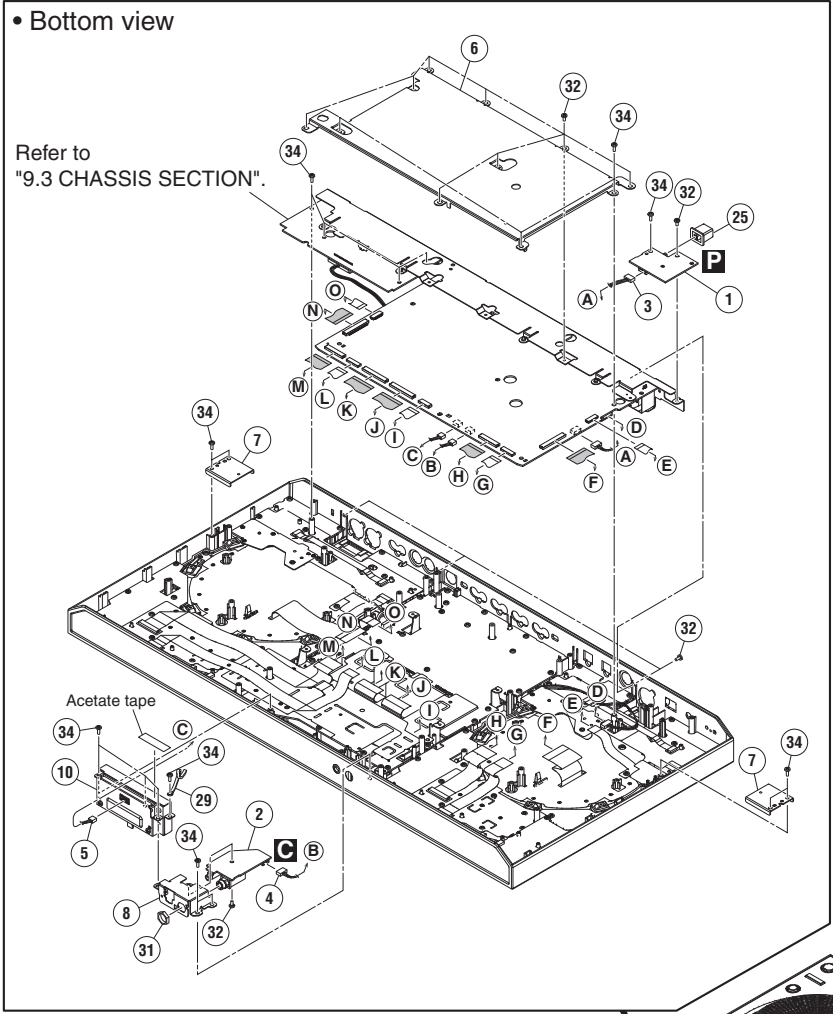


9.2 BOTTOM SECTION



(1) BOTTOM SECTION PARTS LIST

<u>Mark No.</u>	<u>Description</u>	<u>Part No.</u>	<u>Mark No.</u>	<u>Description</u>	<u>Part No.</u>
A	1 PSWB Assy	DWX4114	21	Slider Knob 1	See Contrast table (2)
	2 HPJK Assy	DWX4116	22	Stopper/SLD	DNK6009
	3 Connector Assy (05P)	PF05PP-D12	23	Knob	See Contrast table (2)
	4 Connector Assy	PF04PP-D10	24	Stopper	DNK6440
	5 Connector Assy	PF03PP-B22	25	Power Knob	DAC2306
	6 Shield Plate	DNH3342	26	Slide Sheet 1C	See Contrast table (2)
	7 Stay	DNH3351	27	Cord Hook	DNK6755
	8 Stay	DNH3449	28	Slider Knob 2	DAC2685
	⚠ 9 Chassis	DNK6747	29	Cord Clamper (Steel)	RNH-184
	10 Cross Fader Service Assy	DEA1088	30	•••••	
B	11 Sheet/LEG	DEC3534	31	Nut M12	DBN1018
	12 Knob	DAA1432	32	Screw	BBZ30P060FTB
	13 Knob	DAA1433	33	Screw	BBZ30P080FTB
	14 Knob	DAA1386	34	Screw	BPZ30P080FNI
	15 Select Knob	DAA1205	35	Screw	BPZ30P120FTB
	16 FX SEL Knob	DAA1213			
	17 Knob	DAA1434			
	18 Knob/SLD	DNK6682			
	19 Dial Knob	DAA1399			
C	20 Adjust Knob Black	DAA1406			

(2) CONTRAST TABLE

DDJ-1000SRT and DDJ-1000SRT-W are constructed the same except for the following:

Mark	No.	Symbol and Description	DDJ-1000SRT	DDJ-1000SRT-W
	21	Slider Knob 1	DAC2912	DAC2684
	23	Knob	DAC3437	DAC3238
	26	Slide Sheet 1C	DAH2404	DAH3193