



SERVICE MANUAL

RP4000MK2

MODEL NO.:RP4000MK2

Contents

<i>Specification</i>	1-2
<i>Block Diagram</i>	3
<i>Packing View</i>	4
<i>Packing View Part List</i>	5
<i>Point To Point Wiring Diagram</i>	6-7
<i>Exploded View</i>	8
<i>Exploded View Part List</i>	9-13
<i>Electrical Part List</i>	14-19
<i>Schematic Diagram</i>	20-23
<i>Printed Circuit Board Diagram</i>	24-31
<i>IC Block Diagram</i>	32-36

General Specification

1. APPLICATION:

This specification applies to the Professional High Torque Turntable System RP4000MK2.

2. STANDARD TEST CONDITION:

Ambient Temperature 23 +/- 2 degC

Relative Humidity 65% +/- 5%

NOTE: Measurements can be carried out between 5 degC to 35 degC and 45% to 85% relative humidity.

3. GENERAL SECTION:

Power Supply AC 115/230V, 60/50Hz
AC 100V, 50/60Hz (For JP)
Power Consumption 12Watts
Dimensions 450 (W) x 352 (D) x 144 (H) mm
Weight 9.8Kg

4. TURNTABLE SECTION:

Type 3-speed full manual
Motor 8pole,3phase,brushless DC motor
Driving Method Direct drive
Turntable Platter 332mm dia. Aluminum diecast
Speeds 33¹/₃, 45rpm and 78rpm
Wow and Flutter Less than 0.2% WRMS (JIS WTD)
S/N Ratio More than 50dB (DIN-B)
Pitch Controls +/- 8%, +/- 16%
Starting Torque More than 1.8 kgf.cm
Braking System Electronic brake
Starting Time Less than 1 sec.
Braking Time Less than 1 sec.
Time for Speed Change Less than 1 sec. from 33 to 45 rpm.
Less than 1 sec. from 45 to 33 rpm.
Less than 1 sec. from 33 to 78 rpm
Channel Separation More than 15 dB
Channel Balance Within 2.5dB at 1KHz

5. AUDIO

Cartridge: 402-RP-112
Phono Output 1.7~3.6mV at 1KHz 5cm/sec (HP-4005)

6. TONEARM SECTION:

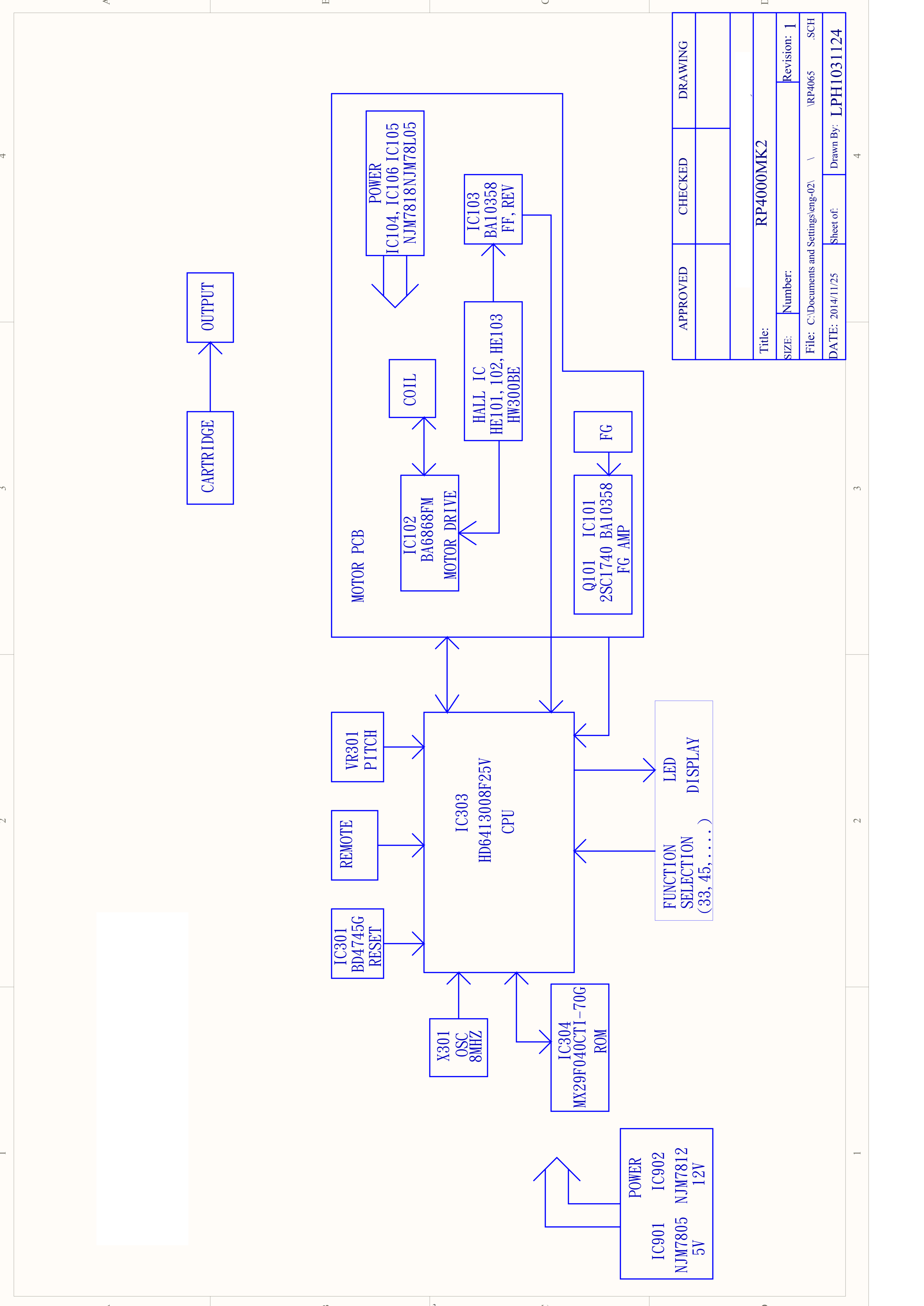
Type Static balanced S-shaped tonearm with detachable headshell
Effective Arm Length 230.5mm
Overhang 16mm
Tracking Error Angle Less than 3 degree
Tracking Force Adjustment Range 0-4g
Applicable Cartridge Weight 3.5-8.5g
Anti-skating Range 0-7g
Needle Pressure 4g
High of cue(first track) 8~10.5mm
Descend of cue 1~3 sec.

7. ACCESSORIES SUPPLIED

Headshell x 1	Counterweight x 1	Instruction manual x 1
Slipmat x 1	AC Cord x 1	Platter x 1
Cartridge x 1		

8. NOTES

- (1) The specifications are subject to change to any improvement by negotiations in advance.
- (2) The parts are subject to change to any improvement within the range of the specifications.



1 2 3 4

A A

B B

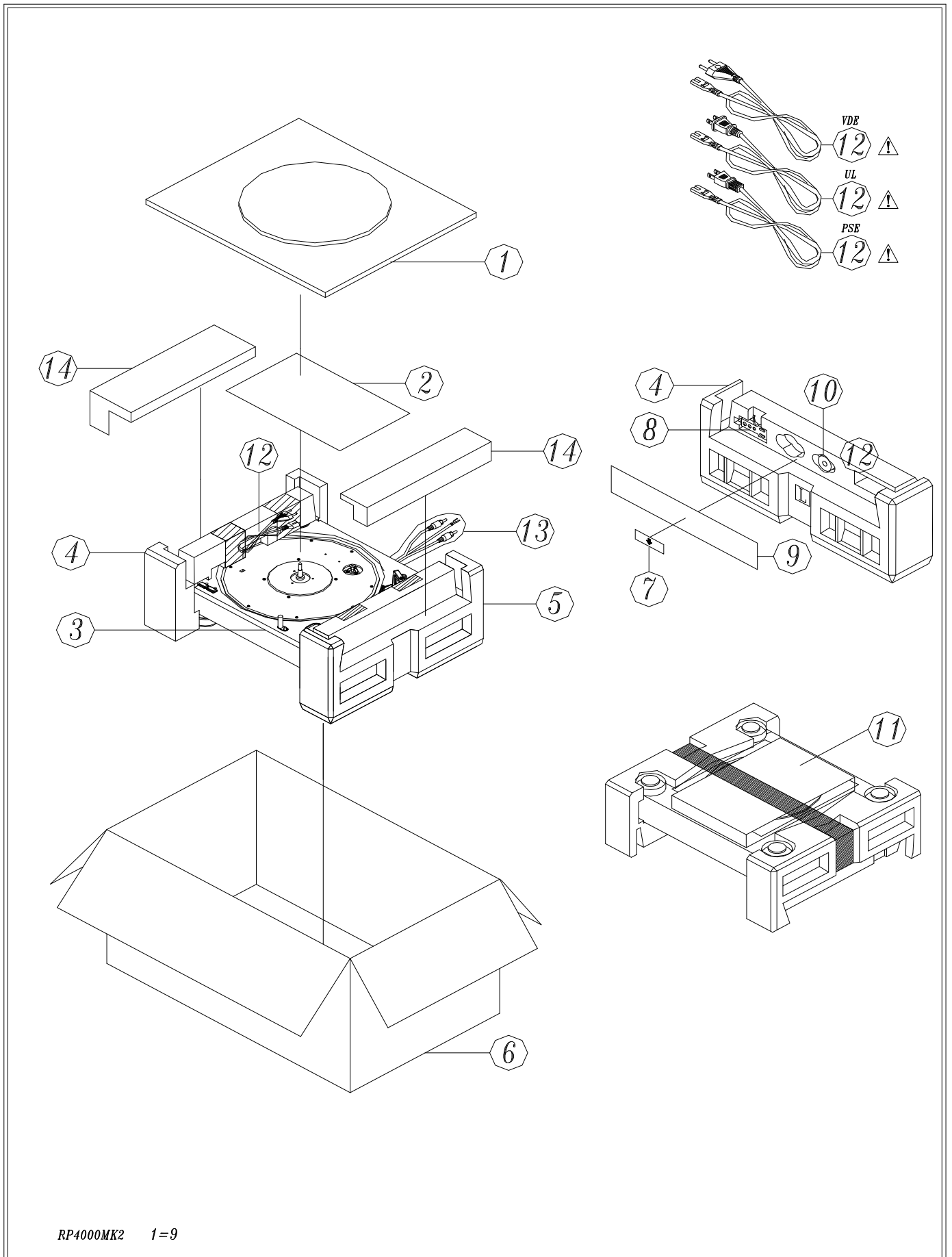
C C

D D

APPROVED	CHECKED	DRAWING
Title: RP4000MK2		
SIZE: Number:	Revision: 1	
File: C:\Documents and Settings\eng-02\ \RP4065 .SCH		
DATE: 2014/11/25	Sheet of:	Drawn By: LPH1031124

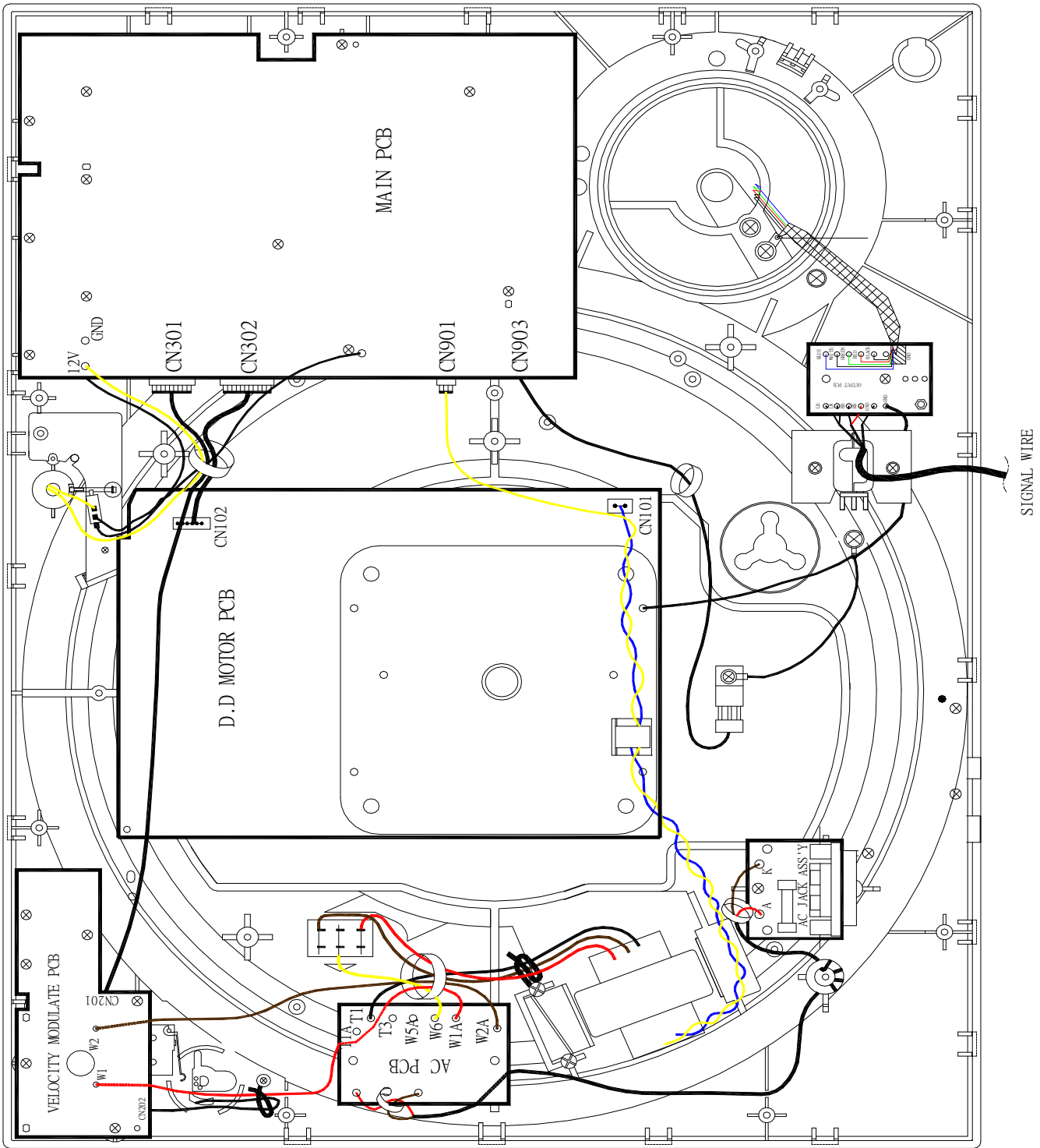
1 2 3 4

Packing View



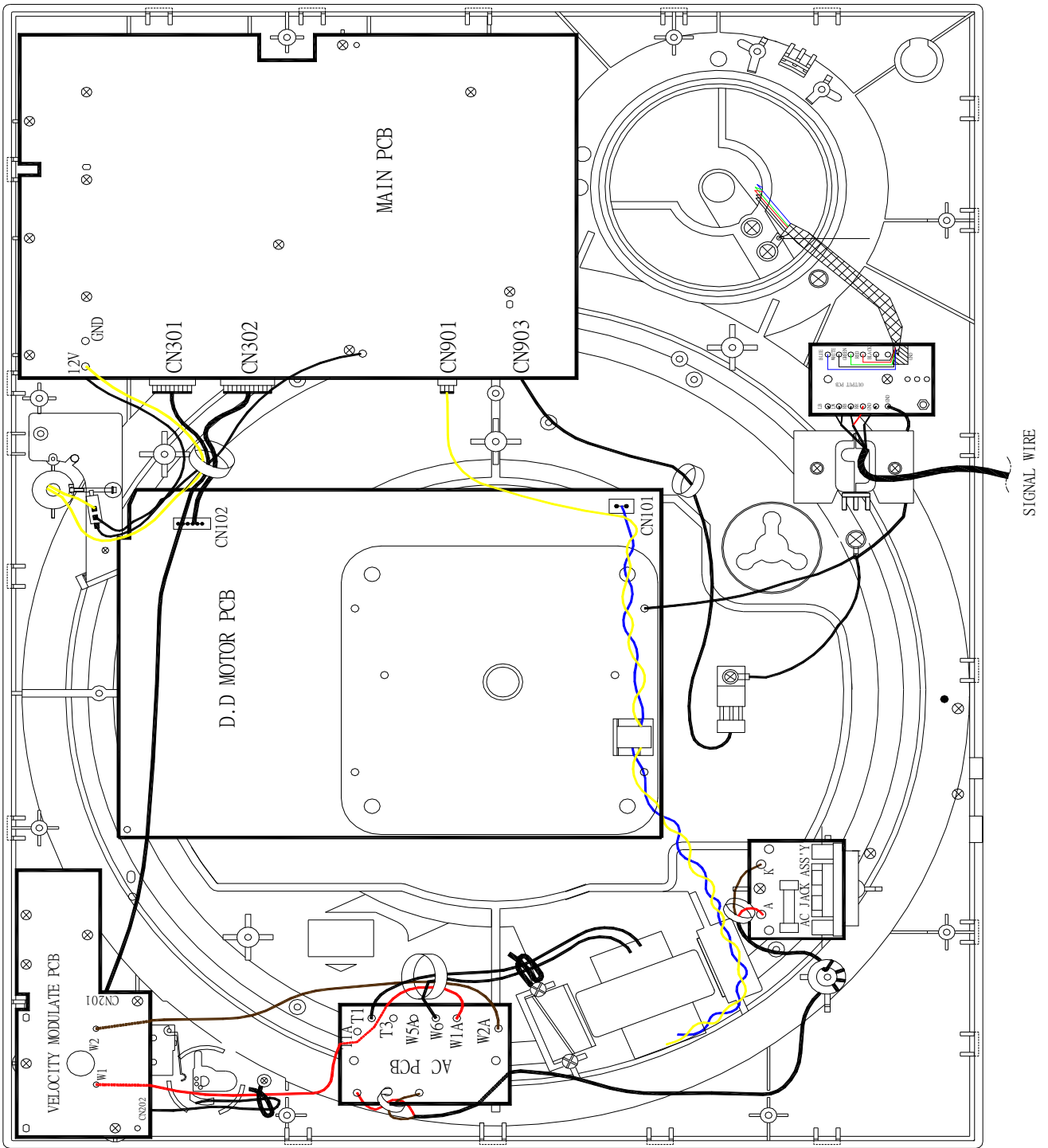
RP4000MK2 1=9

Point to Point Wiring Diagram (For Germany, Canada)



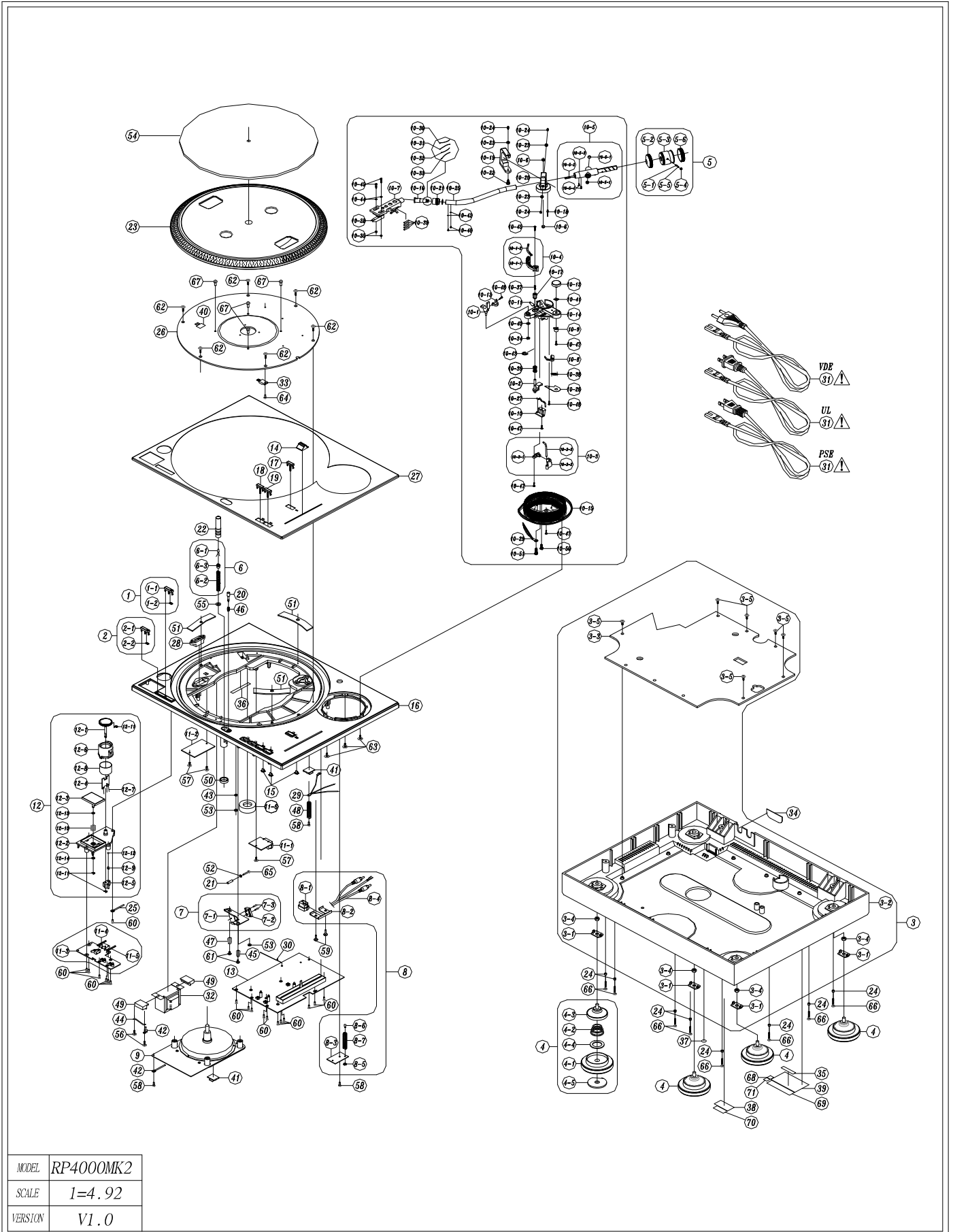
RP4000MK2 (For Germany, Canada)

Point to Point Wiring Diagram (For Japan)



RP4000MK2 (For Japan)

Exploded View



MODEL	RP4000MK2
SCALE	1=4.92
VERSION	V1.0

Exploded View Part List

REF NO.	DESCRIPTION	PART NO.	Q'TY	REMARK
1	45 KNOB AND LED LENS ASS'Y	701-RP4K-1648	1	
1-1	33/45 KNOB	100-RP4KA-1286	1	
1-2	LED LENS(ABS)	100-DJ2500-1293	1	
2	33 KNOB AND LED LENS ASS'Y	701-RP4K-1671	1	
2-1	33/45 KNOB	100-RP4K-1286	1	
2-2	LED LENS(ABS)	100-DJ2500-1293	1	
3	BOTTOM BASE & PLATE ASS'Y	701-RP5000A-2784	1	Germany,Japan
		701-4065B-2784	1	Canada
3-1	FOOT FIXED PLATE	100-DJ2500-1284	4	
3-2	BOTTOM BASE	100-RP5000A-1457F	1	Germany,Japan
		100-4065B-1457F	1	Canada
3-3	BOTTOM PLATE	300-DJ3000-575B	1	
3-4	NUT(M6*P1.0)	601-DJ2500-017	4	
3-5	SCREW(3*10m/m)	602-3113-122	6	
4	FOOT & WASHER ASS'Y	701-T92-2837	4	
4-1	PLASTIC FOOT (ABS HOT STAMP)	100-T92-590C	4	
4-2	SPRING FOR FOOT	603-DJ3500-243	4	
4-3	RUBBER FOOT(BLACK)	604-DJ1900-075	4	
4-4	CUSHION FOR FOOT SPRING (EVA BLACK)	612-DJ1900-017	4	
4-5	CUSHION FOR FOOT(PORON, ϕ 39.5*11*3t)	612-ST150-153	4	
5	COUNTER WEIGHT ADJUSTOR ASS'Y	702-RP4K-120	1	
5-1	COUNTERWEIGHT ADJUSTOR	100-B300-113	1	
5-2	INDICATOR	100-RP4K-1329	1	
5-3	COUNTERWEIGHT RING	200-DJ3000-200	1	
5-4	SCREW	602-DJ3000-263	1	
5-5	COUNTERWEIGHT SPRING	603-B300-037	1	
5-6	COUNTERWEIGHT JACKET	604-DJ3000-132	1	
6	SPOT LIGHT ASS'Y	704-BJ1900-829	1	
6-1	SPOT LIGHT(DC12V,75mA)	410-BJ1900-046	1	
6-2	SPOT LIGHT BUTTON SPRING	603-DJ1900-139	1	
6-3	SPOT LIGHT RUBBER BASE	604-DJ1900-067	1	
7	SWITCH & FIX PLATE ASS'Y	704-BJ2300-1616	1	
7-1	SWITCH FIXING PLATE	300-DJ1900-206	1	
7-2	LEAF SW(MQS-52-5LIN/SM-05S-01A0-Z,3PIN)	403-DJ1900-030	1	
7-3	SCREW(DIA 2*8mm P=0.4)	602-S100-030	2	
8	OUTPUT PCB ASS'Y	704-4000A2B-5198	1	
8-1	CORD BUSH(SZ)	100-HC1421FR-991	1	
8-2	FIXED PLATE	300-DJ3000-565	1	
8-3	OUTPUT PCB(40*25*1.6t)	405-DJ3000-417	1	
8-4	SIGNAL WIRE(L=1300mm)	408-RP1000A2B-063	1	
8-5	NUT(M3*P0.5,2.5t)	601-A100-004	1	
8-6	SCREW(3*5 P=0.5)	602-B300-041	1	
8-7	SHEILDING SPRING	603-ST100-245	1	
9	D.D.MOTOR ASS'Y	704-DJ3565-9259	1	
10	TONE ARM ASS'Y	704-RP4K-B884	1	

Exploded View Part List

REF NO.	DESCRIPTION	PART NO.	Q'TY	REMARK
10-1	TONARM LIFTER ASS'Y	701-DJ3000-1658	1	
10-2	AXIS ASS'Y	701-DJ3000-1660B	1	
10-3	CLUTH LEVER ASS'Y	701-DJ3000-1794	1	
10-3-1	LINK BASE	100-DJ3000-1308	1	
10-3-2	CLUTCH LEVER BASE	100-DJ3000-1309	1	
10-3-3	CLUTCH LEVER	300-DJ3000-507	1	
10-4	LIFTER ASS'Y	701-DJ3000-1795	1	
10-4-1	LIFTER	100-DJ3000-1314	1	
10-4-2	LIFTER RUBBER	604-DJ3000-131	1	
10-5	WEIGHT SHAFT ASS'Y	701-RP4000A1-2756	1	
10-5-1	TONARM REARING ASS'Y	702-DJ3000-016	2	
10-5-2	TONARM & LUG TERMINAL ASS'Y	703-DD5220-417	1	
10-5-3	TONARM SETTING	100-RP4000A1-1319	1	
10-5-4	SCREW(DIA. 2*5 P=0.4)	602-DD2220-301	2	
10-6	TONARM REARING ASS'Y	702-DJ3000-016	2	
10-7	HEADSHELL ASS'Y	703-RP4K-733	1	
10-8	MICRO ADJUST LINK	100-DJ3000-1310	1	
10-9	MICRO ADJUST LEVER	100-DJ3000-1311	1	
10-10	LINK BASE	100-DJ3000-1312	1	
10-11	CLUTH LEVER KNOB	100-DJ3000-1313	1	
10-12	MICRO ADJUST KNOB	100-RP4K-1315	1	
10-13	PICK-UP CRAMPER	100-HP-1316A	1	
10-14	TONARM BOTTOM BASE(SMALL)	100-DJ3000-1317A	1	
10-15	TONARM BOTTOM BASE	100-DD2220-1458A	1	
10-16	GUIDE PIPE	200-B200-094FB	1	
10-17	AXIS BASE	200-DJ3000-189A	1	
10-18	SHAFT	200-DJ3000-191	1	
10-19	TONARM REST BASE	200-DJ3000-205A	1	
10-20	TONARM REST	200-DJ3000-206A	1	
10-21	NUT	200-DJ3000-221A	1	
10-22	SCREW	200-PNTT-752A	1	
10-23	ADAPTOR	200-HP-821	3	
10-24	SCREW	200-HP-822	3	
10-25	TONARM TUBE	300-DJ3000-508	1	
10-26	MICRO ADJUST KNOB COVER	300-DJ3000-509	1	
10-27	LINK	300-DJ3000-510	1	
10-28	VFS CARTRIDGE(ORTOFON)	402-RP-112	1	
10-29	GROUNDING METAL NET(L=90mm,120/0.12, ϕ 4.3)	407-DJ100-135A	1	
10-30	SIGNAL LEADWIRE(L=365mm,AWM1571 AWG36,RED)	407-DJ101-146	1	
10-31	SIGNAL LEADWIRE(L=365mm,AWM1571 AWG36,WHITE)	407-DJ101-147	1	
10-32	SIGNAL LEADWIRE(L=365mm,AWM1571 AWG36,GREEN)	407-DJ101-148	1	
10-33	SIGNAL LEADWIRE(L=365mm,AWM1571 AWG36,BLUE)	407-DJ101-149	1	
10-34	NUT(M3*P0.5,2.5t)	601-A100-004	1	
10-35	NUT(M2.6*P0.45*t1.8)	601-M26P045-031	2	
10-36	CLUTCH SPRING	603-DJ3000-205	1	

Exploded View Part List

REF NO.	DESCRIPTION	PART NO.	Q'TY	REMARK
10-37	LIFTER SPRING	603-DJ3000-206	1	
10-38	MICRO ADJUST SPRING	603-DJ3000-207	1	
10-39	PVC TUBE(φ 2,L=11)	605-F200-001	4	
10-40	3mm CS WASHER(φ 8* φ 2.5)	606-F200-013	1	
10-41	WASHER	606-B300-032	1	
10-42	SPRING WASHER(φ 4.1*2*0.5t)	606-M400-048A	2	
10-43	E RING	606-DJ3000-105	1	
10-44	WASHER(φ 4.5*2.6*0.35t)	606-STYLUS-229A	2	
10-45	SCREW(M2.6*10mm,P=0.45mm)	602-H200-018	1	
10-46	SCREW(DIA. 2*1.7 P=0.4)	602-B200-074	2	
10-47	SCREW(SAE1018,PTP,M2.6*L8)	602-SL24F-099	4	
10-48	SCREW(PTP,DIA2*8)	602-DJ3000-269	2	
10-49	SCREW(M2.6*P0.45*L10)	602-M2610-596	2	
10-50	SCREW(M4*10)	602-SWISO410-637Z	1	
10-51	SCREW(M4*14)	602-SWISO414-638Z	1	
11	AC & VELOCITY MODULATE PCB ASS'Y	704-RP4MK2-B893	1	Germany
		704-RP4MK2B-B899	1	Canada
		704-RP4MK2-B966	1	Japan
11-1	AC JACK ASS'Y	704-NT2000-2399	1	Germany
		704-NT2000A-2590	1	Canada,Japan
11-2	AC PCB ASS' Y	704-DJ3500-2914	1	Germany,Canada
		704-DJ3500A-2916	1	Japan
11-3	VELOCITY MODULATE PCB ASS'Y	704-RP4MK2-B892	1	
11-4	WIRE(RED L=550mm AWM1617 AWG22)(Pb,Cd)	406-DJ1900-244	1	
11-5	LEAD WIRE(L=570mm,AWM1617 AWG22,BROWN)	406-NT2000-543	1	
11-6	CORD(BRI-28*13*16,110Ω/100MHz)	415-PROTT1-118	1	
12	NEON LAMP & KNOB ASS'Y	704-RP4K-B894	1	
12-1	POWER KNOB AND SHAFT ASS'Y	701-RP4K-1649	1	
12-2	BUTTON & SHAFT ASS'Y	701-DJ3500-2293	1	
12-3	START/STOP BUTTON & SHAFT ASS'Y	701-RP4K-2294	1	
12-4	LED PCB ASS'Y	704-RP5000-3992	1	
12-5	TUNING SHAFT(POWER)	100-DJ2500-1292	1	
12-6	SPOTLIGHT HOLDER	100-RP5000-1461A	1	
12-7	3P CONNECTOR WIRE(P=2.0 L=100mm)	404-ST100-1293	1	
12-8	TRANSPARENT SHEET(PC,88*19*0.36t)	501-DJ3000-1149	1	
12-9	SPRING	603-DJ3110-230	1	
12-10	SPRING FOR START/STOP BUTTON	603-DJ3500-242	1	
12-11	E-RING WASHER(φ 7*3* φ 3*0.6t)	606-F200-011	3	
12-12	STEEL BALL	607-B600-002	1	
12-13	HIMELON CUSTION(φ 6.5*4.2*0.3t)	612-DJ3500-107	1	
12-14	SPACER FOR NOISE ELIMINATION(φ 6.5*4.2*1.5t)	612-ST150-150	1	
13	MAIN PCB ASS'Y	704-RP4MK2-B895	1	
14	SPEED PUSH BUTTON(ABS)	100-DJ4500-1289	1	
15	LED LENS	100-NT2000-1627	3	

Exploded View Part List

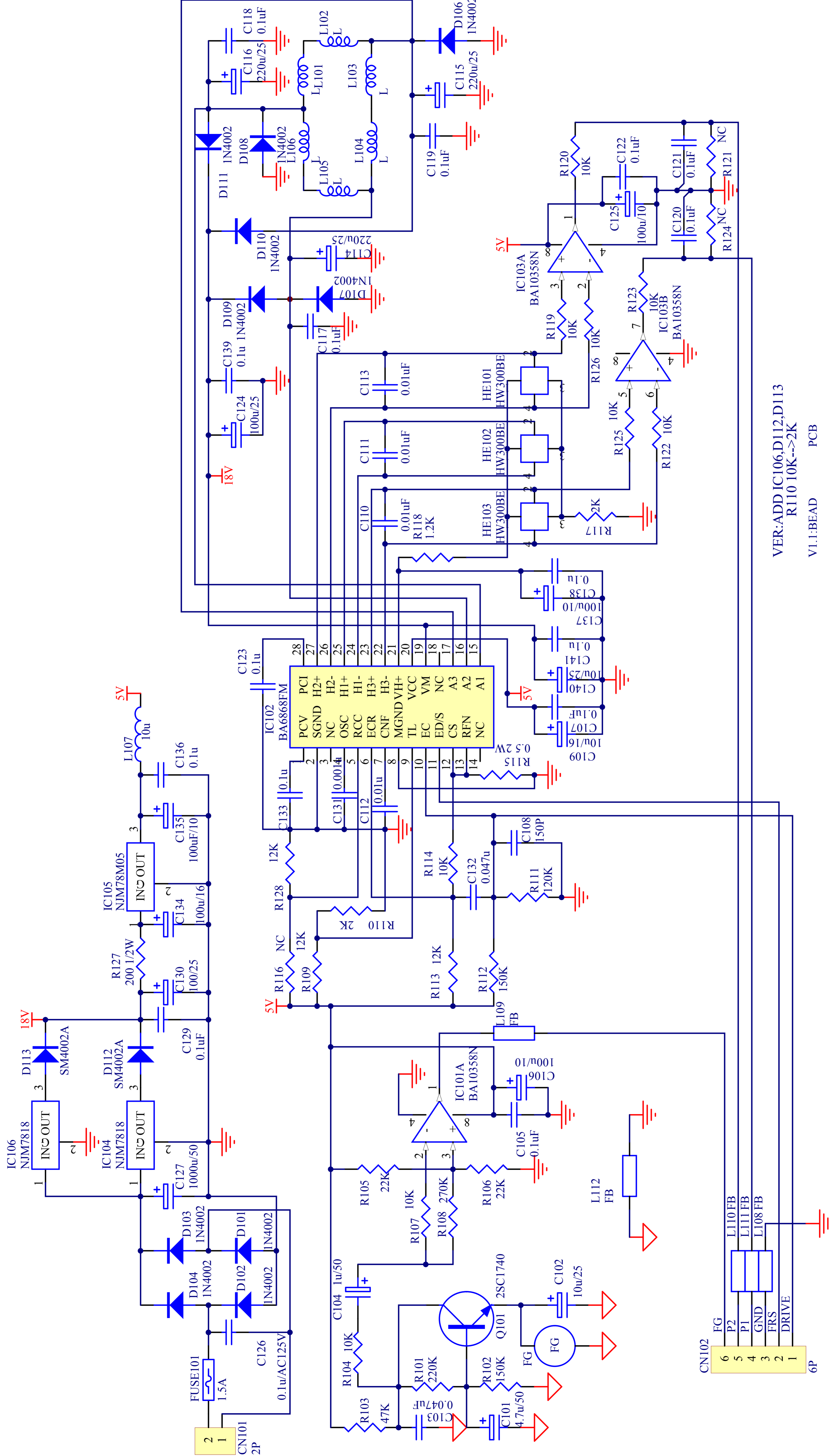
REF NO.	DESCRIPTION	PART NO.	Q'TY	REMARK
16	CHASSIS	100-RP4000-2004B	1	Germany,Japan
	CHASSIS	100-RP4KB-2004B	1	Canada
17	REST KNOB	100-RP4K-3367	1	
18	REST KNOB	100-RP4KA-3367	1	
19	REST KNOB	100-RP4KB-3367	1	
20	SPOT LIGHT BUTTON(NIUM)	200-DJ1900-157	1	
21	FIXED AXES(COPPER)	200-DJ1900-159A	1	
22	SPOT LIGHT COVER(AL)	200-NT1000-227A	1	
23	ALUMINIUM PLATTER	200-TT100-232C	1	
24	BRONZE CUP	200-DJ3500-249	8	
25	LOCKING CABLE CLIP(WC-1A-M9B, ϕ 7.6,L=35.6mm)	300-HM510B-224	1	
26	MOTOR FIXED PLATE(t=3mm)	300-TT100-687A	1	Germany,Canada
		300-TT100E-687A	1	Japan
27	METAL FOR CABINET	300-RP4K-920B	1	
28	SLIDE SW(L21-22A1,6PIN)	403-DJ3000-106	1	Germany,Canada
29	1P GROUND WIRE ASS'Y(L=80mm,AWM1007 AWG22 BLACK)	406-DJ3000-471	1	
30	1P GROUND WIRE(L=140mm,BLACK ,AWM1007 AWG22)	406-DJ3000-472	1	
31	AC POWER CORD(L=1900mm,VDE TYPE)	409-DJ2-070A	1	Germany
	AC CORD(L=1900mm,UL TYPE)	409-DJ2-069A	1	Canada
	AC POWER CORD(L=1830mm,PSE TYPE)	409-DJ2-073B	1	Japan
32	TRANSFORMER(AC115/230V,EI-48)	411-DJ3500-201	1	Germany,Canada
		411-DJ3500I-249	1	Japan
33	IC(NJM-7812FA,TO-220F)	417-BJ1900L-231	1	
34	DECORATIVE PLATE (PVC 0.5t)	501-BJ2300E-573	1	
35	LABEL(BARE,36*8mm,t=1.2mm)	501-DV300-1067	1	
36	FUSE LABEL(46*6mm,t=0.08mm)	501-DJ2500-1298A	1	
37	LABEL FOR MOTOR(BLACK, ϕ 14mm,t=0.08mm)	501-DM9000-1605	1	
38	FCC LABEL(40*20mm,t=0.08mm)	501-PRODIGY-1667	1	
39	RATING LABEL(72*42mm,t=0.08mm)	501-R4KM2A-2719	1	Germany,Canada
		501-R4KM2C-2719	1	Japan
40	LABEL(12*16mm,t=0.08mm)	501-R8KMK2-2906	1	
41	WIRE MOUNT(FW-2-3M,WHITE)	504-ST100-118	2	
42	LOCKING CABLE CLIP(WC-1AM-M9B, ϕ 5.6,L=35.6mm)	504-HV3500K-033	2	
43	NUT(M2.6,2t)	601-SL24F-010	1	
44	TRANSFORMER LEAF SPRING	603-DJ1900-136	1	
45	SPOT LIGHT SPRING (BLACK)	603-DJ1900-137	1	
46	LEAF SPRING	603-DJ1900-138	1	
47	SPRING FOR LAMP	603-DJ1900-239	1	
48	SHEILDING SPRING	603-ST100-245	1	
49	CUSHION RUBBER FOR TRANSFORMER	604-DJ1900-064	2	
50	MUTE CUSHION(RUBBER)	604-DJ1900-066A	1	
51	SHEET BUBBER	604-PROTT2-176	3	
52	WASHER(ϕ 5.5*3*0.7t)	606-B300-039	1	
53	MUTE CUSHION(EVA BLACK)	612-DJ1900-013	2	
54	SLIPMAT(BLACK,295*7.3*2.5t,RELOOP)	612-RP4K-052	1	

Main PCB Ass'y Part List

REF NO.	DESCRIPTION	PART NO.	Q'TY	REMARK
	MAIN PCB ASS'Y	704-RP4MK2-B895	1	
CN302,	6P SOCKET(CKM2001WR-6P,90°WHITE)	404-90V1-101	1	
CN901,	2P 2.5SOCKET(CKM2501WR-2P,90°WHITE)	404-KMD1500-607A	1	
CN301,	10P SOCKET(CKM2001WR-10P 90°WHITE)	404-RP5000-1499A	1	
CN903,	3P 2.5CONNECTOR WIRE(L=220mm,UL1007 AWG26)	404-TT100-1091	1	
D309,D310,	LED (LTL-1CHE,RED)	410-CD6000-122	2	
D311,	LED (LTL-1CHG)	410-CD6000-124	1	
C901,	ELEC. CAPACITOR(1000uF/25V,M, 105°C,BULK 10*20)	413-DJ1900-111	1	
IC901,	IC(NJM7805FA,TO-220F)	417-KC730-123	1	
VR301,	SLIDE VR(10KB*2,RFA0Y12H3006-10KB*2(HF))	418-STR880-097A	1	
IC901,	HEAT SINK(AL)	425-DJ100-035	1	
X301,	QUARTZ CRYSTAL(CA-301,8MHZ,20PF/±30PPM,3*9)	427-DV300-5017V	1	
D311,D309,D310,	LED HOLDER(LED-13,H=13mm)	504-DJ3000-048	3	
	NUT(M3*P0.5)	601-A100-004	1	
	SCREW(M3*10)	602-DJ1900-148	1	
	VR CUSHION(0.5t,BLACK)	612-HDJ9700-015	1	
JR,JR2,JR4,JR6,JR7,JR8,	CHIP RESISTOR(0 OHM,1/4W,J,1206,200V)	412-DJ3000-414	6	
R315,R318,R319,R329,	CHIP RESISTOR(100 OHM,1/8W,J,0805,150V)	412-DV330-304	4	
R904,	CHIP RESISTOR(1K OHM,1/8W, 0805,J,TP 150V)	412-DV330-305	1	
R333,R345,R346,R347,R348, R349,R350,R351,R903,R905, R359,	CHIP RESISTOR(10K OHM,1/8W,0805,J,TP 150V)	412-DV330-306	11	
R330,	CHIP RESISTOR(1M OHM,1/8W, 0805,J,TP 150V)	412-DV330-308	1	
R901,	CHIP RESISTOR(2.2K OHM,1/8W,0805,J,TP 150V)	412-DV330-313	1	
R317,R326,R327,R328,	CHIP RESISTOR(4.7K OHM,1/8W,0805,J,TP 150V)	412-DV330-320	4	
R322,R337,R338,R339,R340, R320,R331,R335,	CHIP RESISTOR(220 OHM,1/8W,0805,J,TP 150V)	412-DV330-333	8	
R909,	CHIP RESISTOR (0 OHM,1/8W,0805,J,TP 150V)	412-HV3500K-367	1	
R342,R341,R343,	CHIP RESISTOR (470 OHM,1/8W,0805,J,TP,150V)	412-VCDG3-395	3	
C312,C313,C319,C321,C324, C323,C908,C328,	CHIP CAPACITOR(0.1uF/ 50V,Z,0805 TAP,Y5V)	413-DV330-313	8	
L304,L314,L315,L901,	CHIP BEAD(SBK201209T-601Y-N,0805,600 OHM,300MA)	415-1300-240	4	
IC303,	IC(HD6413008F25V,FP-100B)	417-DJ5500-578	1	
IC301,	IC(BD4745G-TR,SMP5)	417-HDJ2000-503	1	
SW301,SW302,SW303,	TACT SW(H=5mm,TAPING)	403-DCM270X-101A	3	
C317,C318,	CERAMIC CAPACITOR(20pF/50V,J,TAPING,NPO)	413-3113-034	2	
C325,C329,C330,C331,C904, C906,C310,C322,C327,C315,	CERAMIC CAPACITOR(0.1uF/50V,Z,TAPING,Y5V)	413-3113-035	10	
C311,C320,C326,C903,	ELEC. CAPACITOR(100uF/10V,M,105°C ,TAPING 5*11)	413-3113-046	4	
C309,	ELEC. CAPACITOR(1uF/50V,M,105°C ,TAPING 5*11)	413-3113-049	1	
C905,	METAL POLYESTER CAPACITOR(0.1uF/AC125V,K)	413-DJ3500-884	1	
C907,	Electrolytic capacitor(0.22UF,50V,TH,M,5*11)	413-NT2000-475V	1	
C902,	ELEC.CAPACITOR(100uF/16V,M,105°C ,TAPING 5*11)	413-PXE90-109	1	
Q301,Q302,Q303,Q307,Q308,	TRANSISTOR(2SC1740,TO-92S,TAPING)	416-3113-007V	5	
Q311,	TRANSISTOR(DTA114TSA,TO-92S,TAPING)	416-DCM380-212V	1	
Q902,	TRANSISTORS(2SC1815-GR-AP)	416-DJ1900-023	1	
Q901,	TRANSISTOR(2SA1015-GR T-92 TAPING)	416-KE200X-021	1	
	MAIN PCB	405-5060-1797	1	

D.D Motor PCB Ass'y Part List

REF NO.	DESCRIPTION	PART NO.	Q'TY	REMARK
	D.D.MOTOR PCB ASS'Y	704-DJ3565-9260	1	
CN101,	2P SOCKET(CKM2501WV-2P 180°BLUE)	404-DJ100-1108A	1	
CN102,	6P2.0 CONNECTOR WIRE(L=110mm,AWM1007 AWG26)	404-DJ5500-1627	1	
R115,	CARBON FILM RESISTOR(0.5 OHM,2W)	412-DJ3560-1434	1	
R127,	CARBON FILM RESISTOR(200 OHM,1/2W,J,T-52)	412-TT100-474	1	
C127,	ELEC. CAPACITOR(1000uF/50V,M,105°C,BULK 16*25)	413-DM1000-354	1	
L101,L102,L103,L104,L105,L106,	COIL	415-STR880-165	6	
IC105,	IC(NJM78M05A TO220F 3PIN)	417-2002-003	1	
IC106,IC104,	IC(NJM7818FA)	417-DJ3000-336	2	
HE101,HE102,HE103,	IC(HW300BE 4PIN)	417-DM1000-233	3	
IC101,IC103,	IC BA10358N 8PIN	417-KE200X-042	2	
IC102,	HEAT SINK(AL)	425-DM3000-021	1	
	HEAT SINK(AL)	425-KMD3500-016A	1	
	INSULATOR SILICON(L37-3,16*9*2t)	501-80-1945	1	
	REVERSIBLE	508-DJ3500-138	6	
	SCREW(3*8mm TTB)	602-2002-077	1	
	SCREW(TTB DIA3*8)	602-DM3000-270	2	
R112,	CHIP RESISTOR(150K OHM,1/8W,0805,J,TP,150V)	412-AMC110D-5079	1	
JR1,JR2,JR4,JR5,JR6,JR7,JR8,	CHIP RESISTOR(0 OHM,1/4W,J,1206,200V)	412-DJ3000-414	7	
R114,	CHIP RESISTOR(10K OHM,1/8W,0805,J,TP 150V)	412-DV330-306	1	
R118,	CHIP RESISTOR(1.2K OHM,1/8W,0805,J,TP,150V)	412-DV330-309	1	
R111,	CHIP RESISTOR(120K OHM,1/8W,0805,J,TP,150V)	412-DV330-310	1	
R109,R113,R128,	CHIP RESISTOR(12K OHM,1/8W,0805,J,TP,150V)	412-DV330-330	3	
R110,	CHIP RESISTOR (2K OHM,1/8W,0805,J,TP 150V)	412-STR880-479	1	
C110,C111,C113,	CHIP CAPACITOR(0.01uF/50V,J,0603 TAP,NPO)	413-DCM280-889	3	
C131,	CHIP CAPACITOR(1000pF/50V,J,0805 TAP,NPO)	413-DV330-311	1	
C129,C107,C123,C133,C136,C139,C141,	CHIP CAPACITOR(0.1uF/ 50V,Z,0805 TAP,Y5V)	413-DV330-313	7	
C132,	CHIP CAPACITOR(0.047uF/50V,K,0805 TAP,X7R)	413-HDJ9500-458	1	
C108,	CHIP CAPACITOR(150pF/50V,J,0805 TAP,NPO)	413-HV3500K-353	1	
D112,D113,	CHIP DIODE(SM4002A,1A,100V,DO-214AC)	414-HDJ9700-145	2	
IC102,	IC(BA6868FM-E2,HSOP-28)	417-DJU3560-997	1	
FUSE101,	CHIP FUSE(1.5A/63V,1206)	422-80-065	1	
C112,	CERAMIC CAPACITOR(0.01uF/50V,Z,TAPING,Z5V)	413-3113-028	1	
C103,	CERAMIC CAPACITOR(0.047uF/50V,Z,TAPING,Y5V)	413-3113-033	1	
C128,C138,C105,C117,C118,C119,C120,C121,C122	CERAMIC CAPACITOR(0.1uF/50V,Z,TAPING,Y5V)	413-3113-035	9	
C126,	METAL POLYESTER CAPACITOR(0.1uF/AC125V,K)	413-DJ3500-884	1	
C114,C115,C116,	ELEC. CAPACITOR(220uF/25V,M,105°C ,TAPING 8*12)	413-DV300-292	3	
C109,	ELEC. CAPACITOR(10uF/16V,M,105°C,TAPING 4*7)	413-DV300-5155	1	
C106,C137,	ELEC. CAPACITOR(100uF/10V,M,105°C,TAPING 5*7,MINI)	413-HMA2200-5017	2	
C101,	ELEC. CAPACITOR(4.7uF/50V,M,105°C ,TAPING 4*7,MINI)	413-HT801K-191	1	
C135,	ELEC. CAPACITOR(100uF/16V,M,105°C,TAPING 6.3*7,MINI)	413-HT801K-193	1	
C104,	ELEC. CAPACITOR(1uF/50V,M,TAPING 4*7,MINI)	413-SPPW3-234	1	
C102,C140,	ELEC. CAPACITOR(10uF/25V,M,105°C,TAPING 4*7,MINI)	413-SPPW3-235	2	

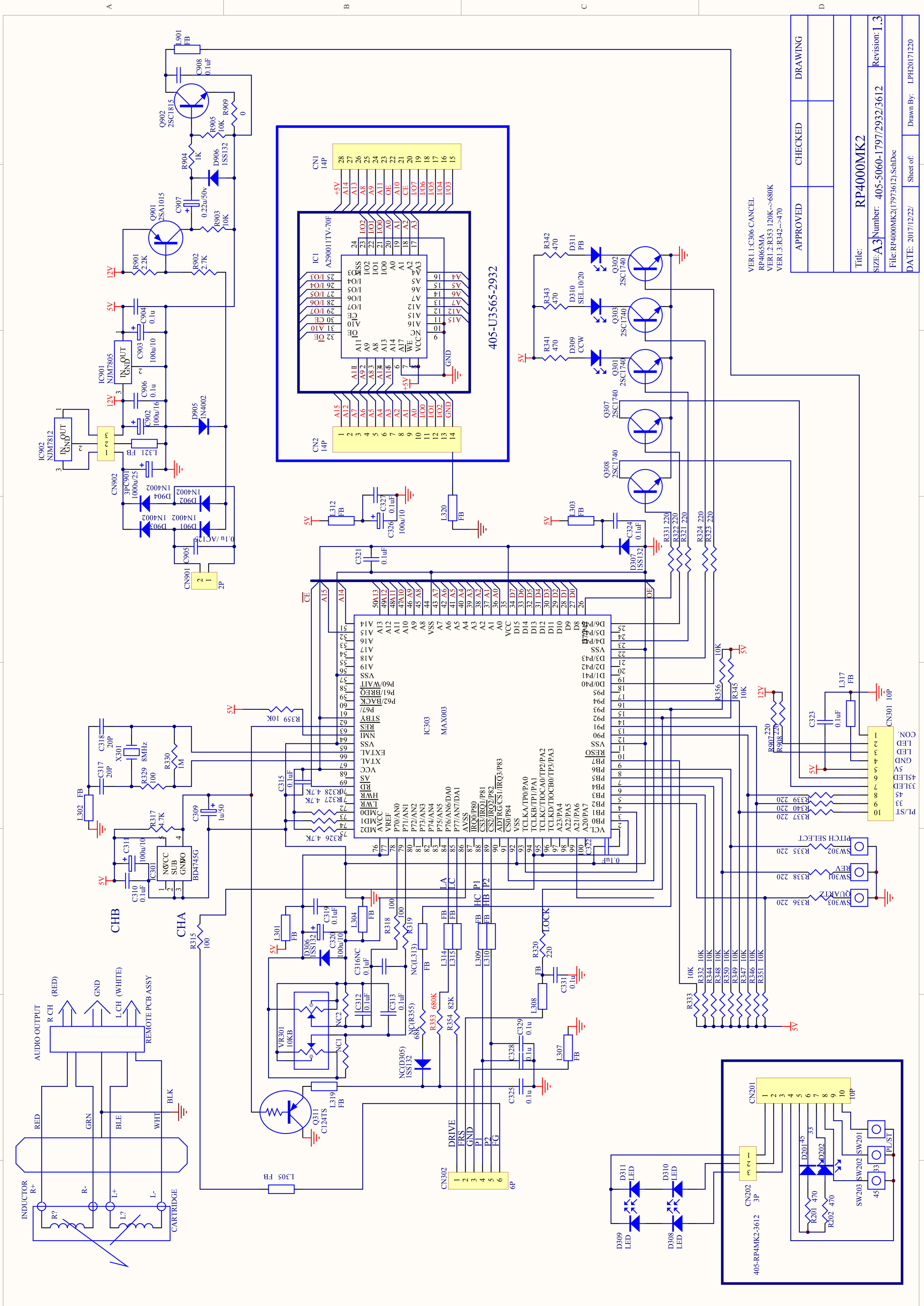


VER:ADD IC106,D112,D113
R110 10K->2K
V1.1:BEAD PCB

Title BA6868 MOTOR SCH

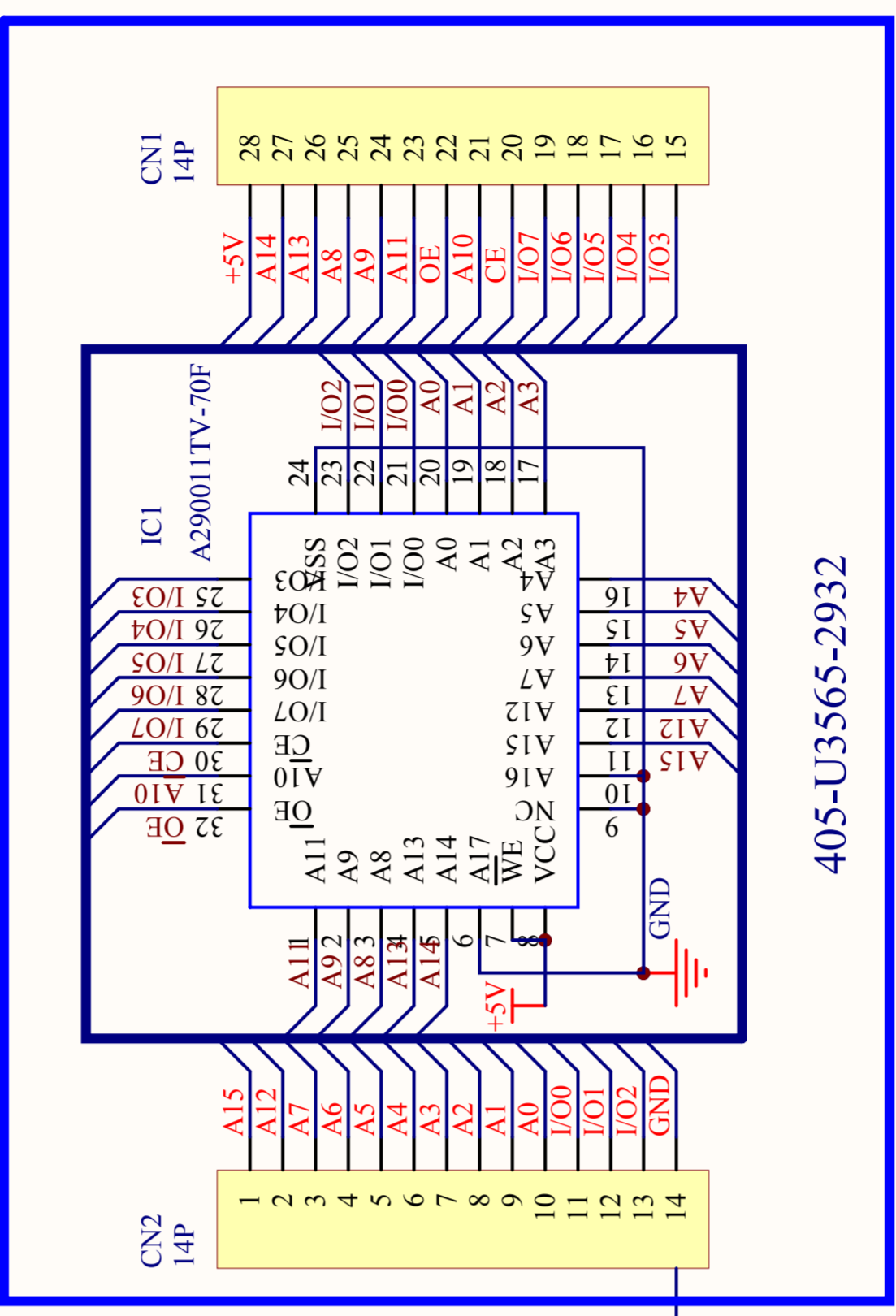
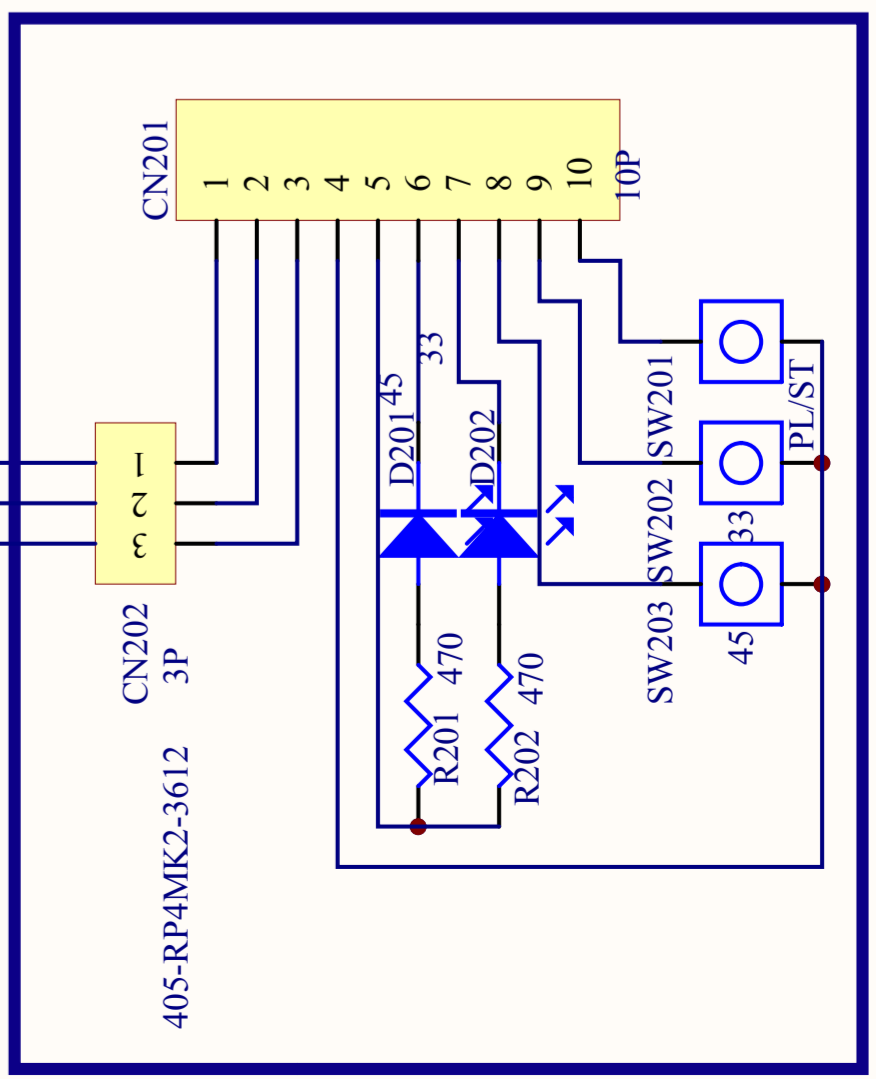
Size	Number	Revision
A4	405-DJ3565-2681B	1.1
Date:	2016/12/23	
File:	C:\Documents and Settings\...405-2681B.Sch	

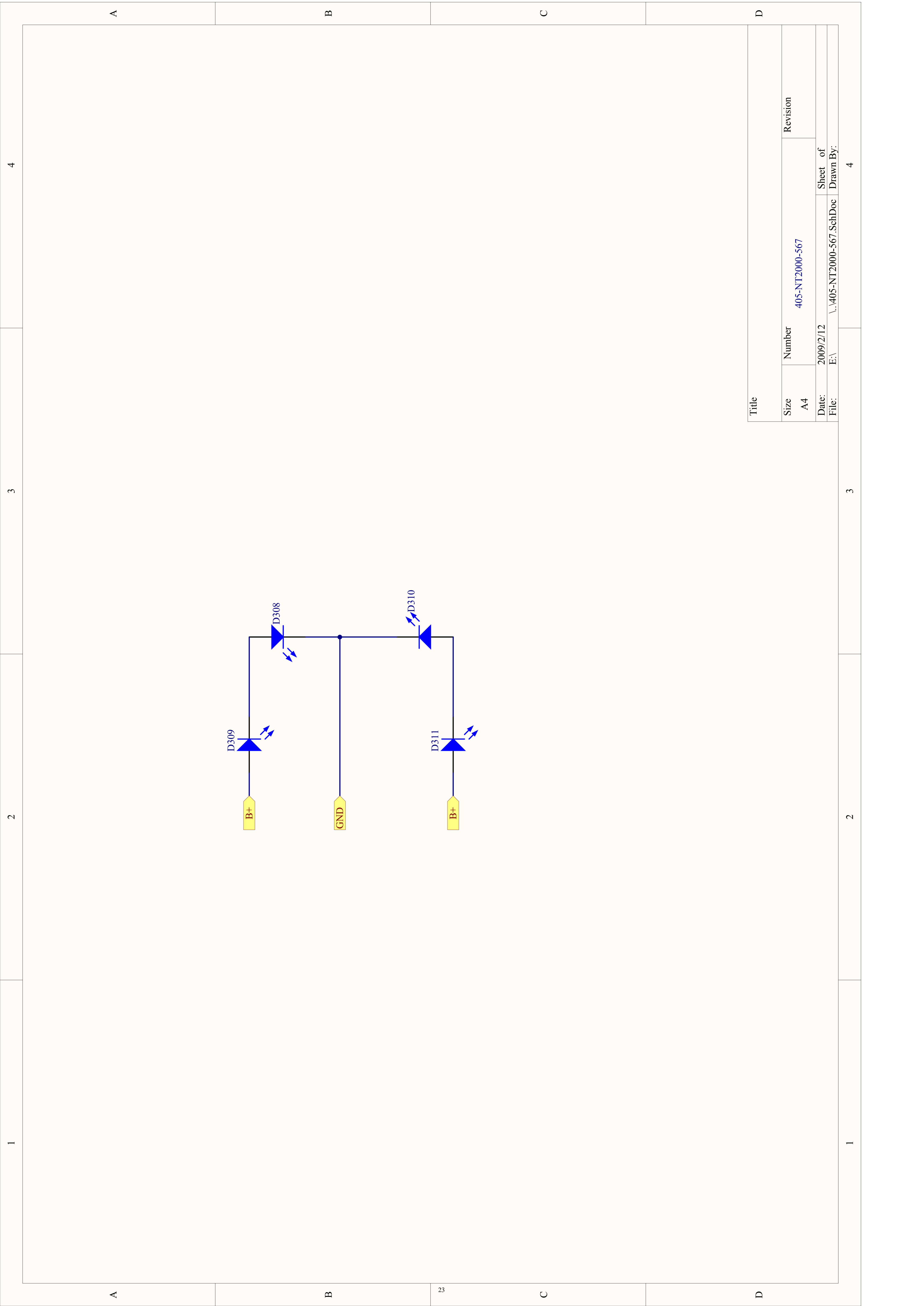
APPROVED	CHECKED	DRAWING
----------	---------	---------



VER.1.C306 CANCEL
 RP4065MA
 VER.1.2:R353 120K-->680K
 VER.1.3:R342-->470

APPROVED	CHECKED	DRAWING
Title: RP4000MK2		
SIZE: A3 Number: 405-5060-1797/2932/3612 Revision: 1.3		
File: RP4000MK2(17973612).SchDoc		
DATE: 2017/12/22/	Sheet of: 7	Drawn By: LPH20171220





Title

Size	Number	Revision
A4	405-NT2000-567	
Date:	2009/2/12	Sheet of
File:	E:\...405-NT2000-567.SchDoc	Drawn By:

1 2 3 4