



SERVICE MANUAL

RP-7000MK2 *RP-7000MK2 Silver*

MODEL NO.: RP-7000MK2 *RP-7000MK2 Silver*

Contents

<i>Specification</i>	1-2
<i>Block Diagram</i>	3
<i>Packing View</i>	4
<i>Packing View Part List</i>	5
<i>Point To Point Wiring Diagram</i>	6
<i>Exploded View</i>	7
<i>Exploded View Part List</i>	8-10
<i>Electrical Part List</i>	11-16
<i>Schematic Diagram</i>	17-21
<i>Printed Circuit Board Diagram</i>	22-29
<i>IC Block Diagram</i>	30-35

1. APPLICATION:

This specification applies to the Professional Torque turntable RP-7000MK2,RP-7000MK2 Silver .

2. STANDARD TEST CONDITION:

2-1 Ambient Temperature 23 +/- 2 degC

2-2 Relative Humidity 65% +/- 5%

NOTE: Measurements can be carried out between 5 degC to 35 degC and 45% to 85% relative humidity.

3. TURNTABLE SECTION:

3-1 Type 3-speed full manual

3-2 Motor 16pole, 3phase, brushless DC motor

3-3 Driving Method Direct drive

3-4 Turntable Platter 332mm dia. Aluminum die-cast

3-5 Speeds 33¹/₃ and 45 rpm and 78rpm

3-6 Wow and Flutter Less than 0.1% WRMS (JIS WTD) with 33¹/₃ rpm

3-7 S/N Ratio More than 55dB (DIN-B)

3-8 Pitch Controls +/- 8%, +/- 16%, +/-50%

3-9 Starting Torque Min : 2.8kgf.cm +/- 0.5kgf.cm

Max : 4.5kgf.cm +/- 0.4kgf.cm

3-10 Braking System Electronic brake

3-11 Braking Time min~6 sec.(Adjustable)

3-12 Time for Speed Change Less than 0.2 sec. from 33¹/₃ to 45 rpm.

Less than 0.2 sec. from 45 to 33¹/₃ rpm.

Less than 0.5 sec. from 33¹/₃ to 78 rpm

3-13 Channel Separation More than 15dB

3-14 Channel Balance Within 2.5dB at 1KHz

4. AUDIO SECTION:

4-1 EQ. RIAA Characteristic 20Hz~20KHz : +/-3dB

4-2 Phono Output Level 1.5~3.6 mV at 1KHz 5cm/sec (HP-4005)

4-3 Line Output Level 90~216 mV at 1KHz 5cm/sec (HP-4005)

4-4 S/N Ratio ≥55dB (1KHz,4mV INPUT)

5. TONEARM SECTION:

5-1 Type Static balanced S-shaped tonearm with detachable headshell

5-2 Effective Arm Length 230mm

5-3 Overhang 15mm

5-4 Tracking Error Angle Less than 3 degree

5-5 Applicable Cartridge Weight 3.5~8.5g (including headshell is 13~18g)

5-6 Anti-skating Range 0-3g

5-7 High of cue (first track) 7.5~10mm

5-8 Descend of cue 1~3sec

6. GENERAL SECTION:

6-1 Power Supply	AC115/230V, 60/50Hz
6-2 Power Consumption	13Watts
6-3 Dimensions	458(W) x 354(D) x 144.6 (H) mm
6-4 Weight	11.7Kg

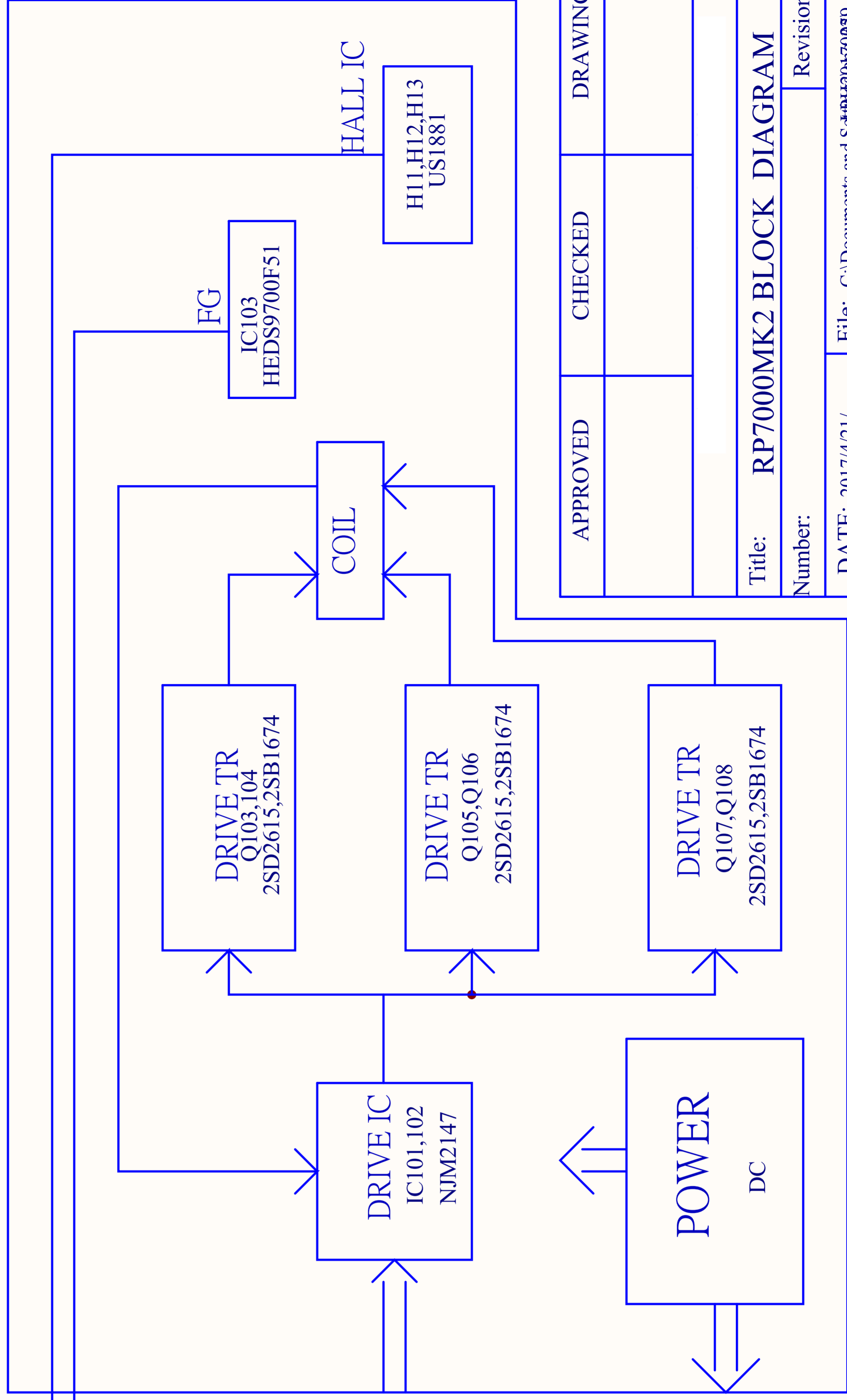
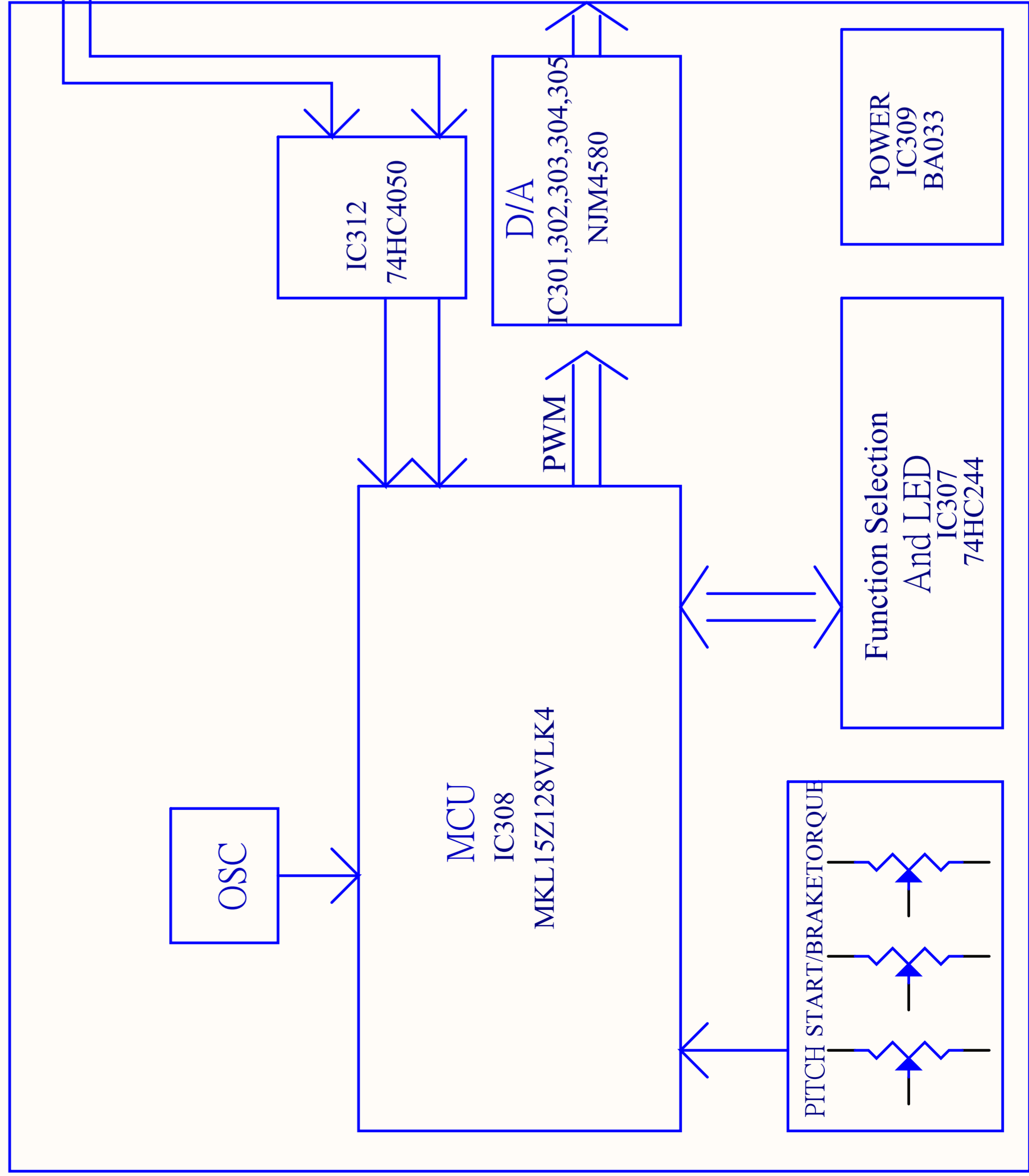
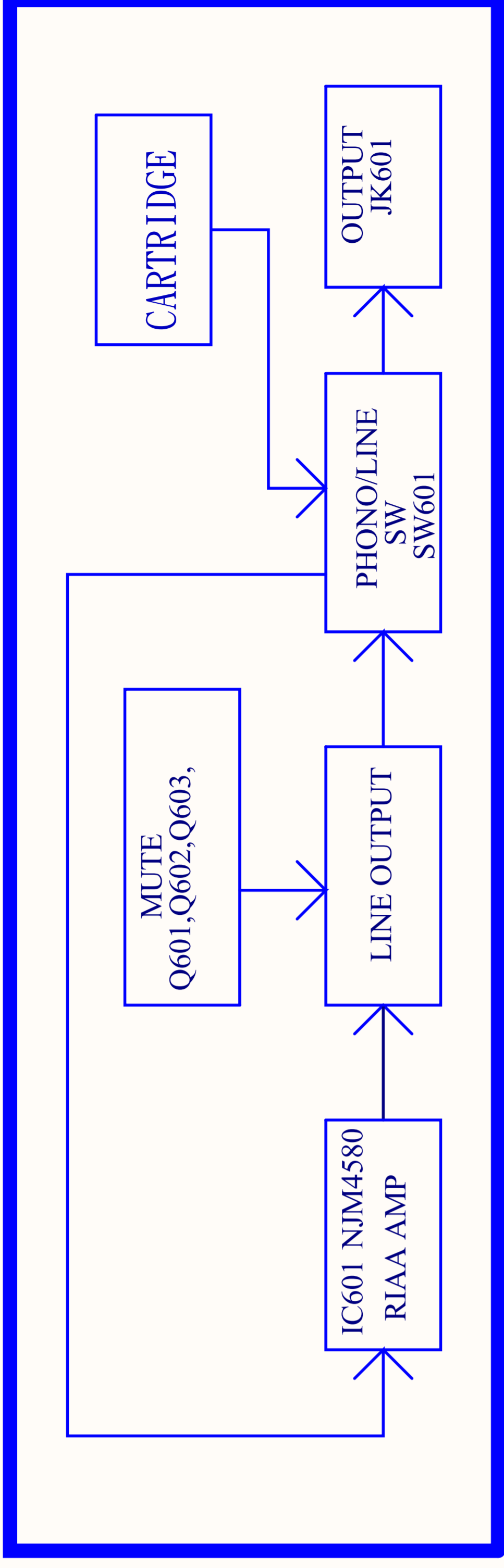
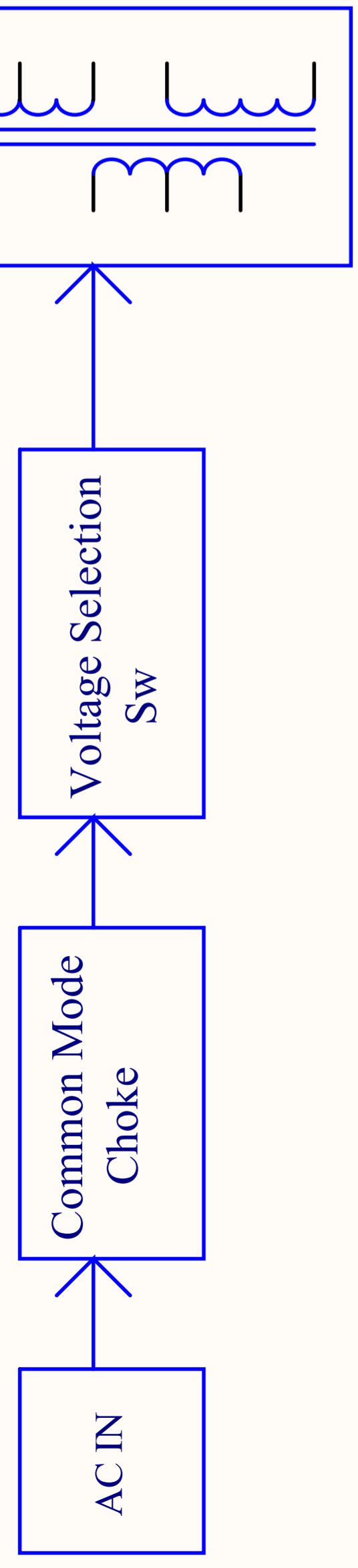
7. ACCESSORIES SUPPLIED:

Instruction manual x 1	45 rpm adaptor x 1	Counter weight x 1
Target light x 1	Platter x1	Slipmat x 1
2P RCA Cord x 1	AC cord x 1	

8. NOTES:

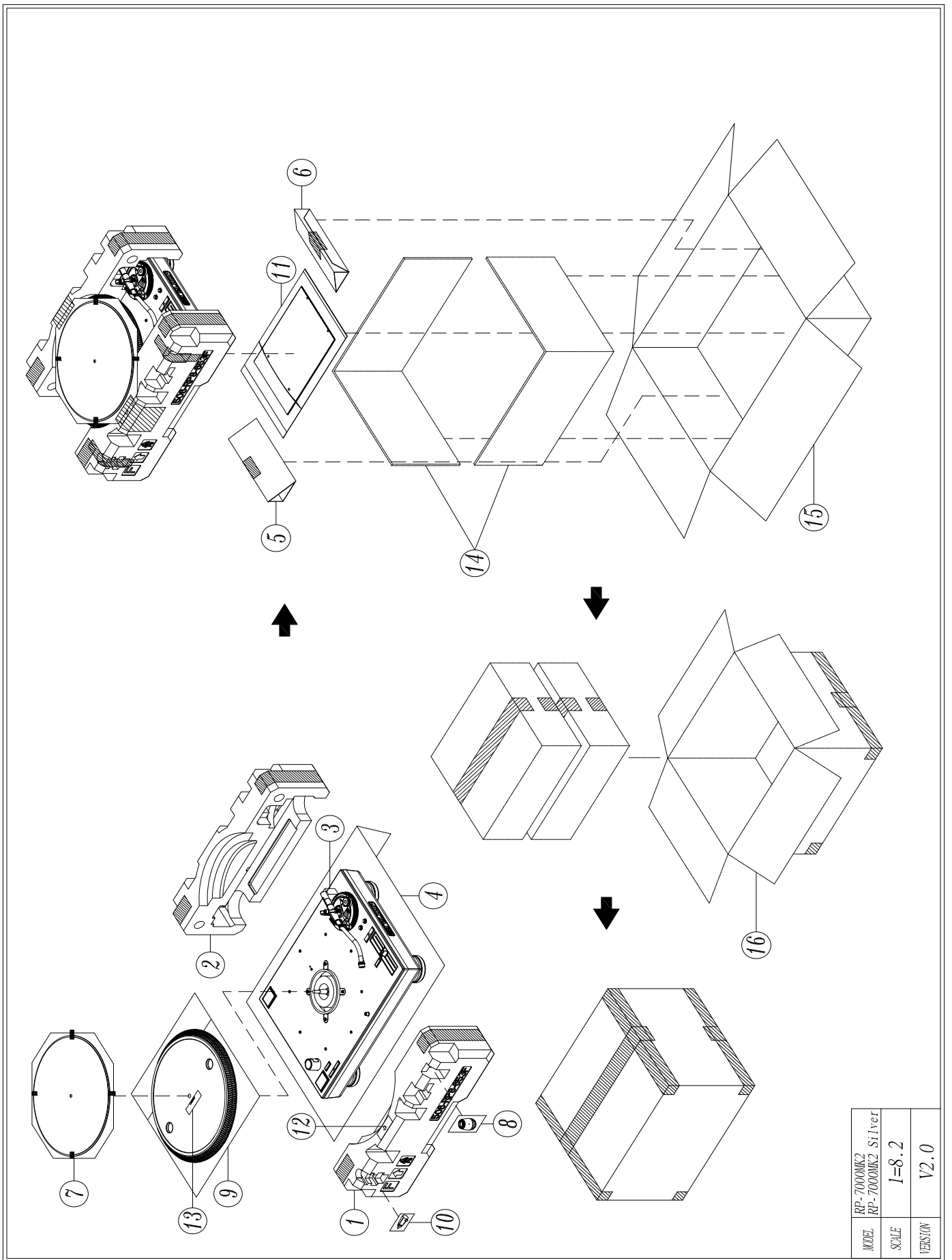
- (1) The specifications are subject to change to any improvement by negotiations in advance.
- (2) The parts are subject to change to any improvement within the range of the specifications.

RP7000MK2 Block Diagram



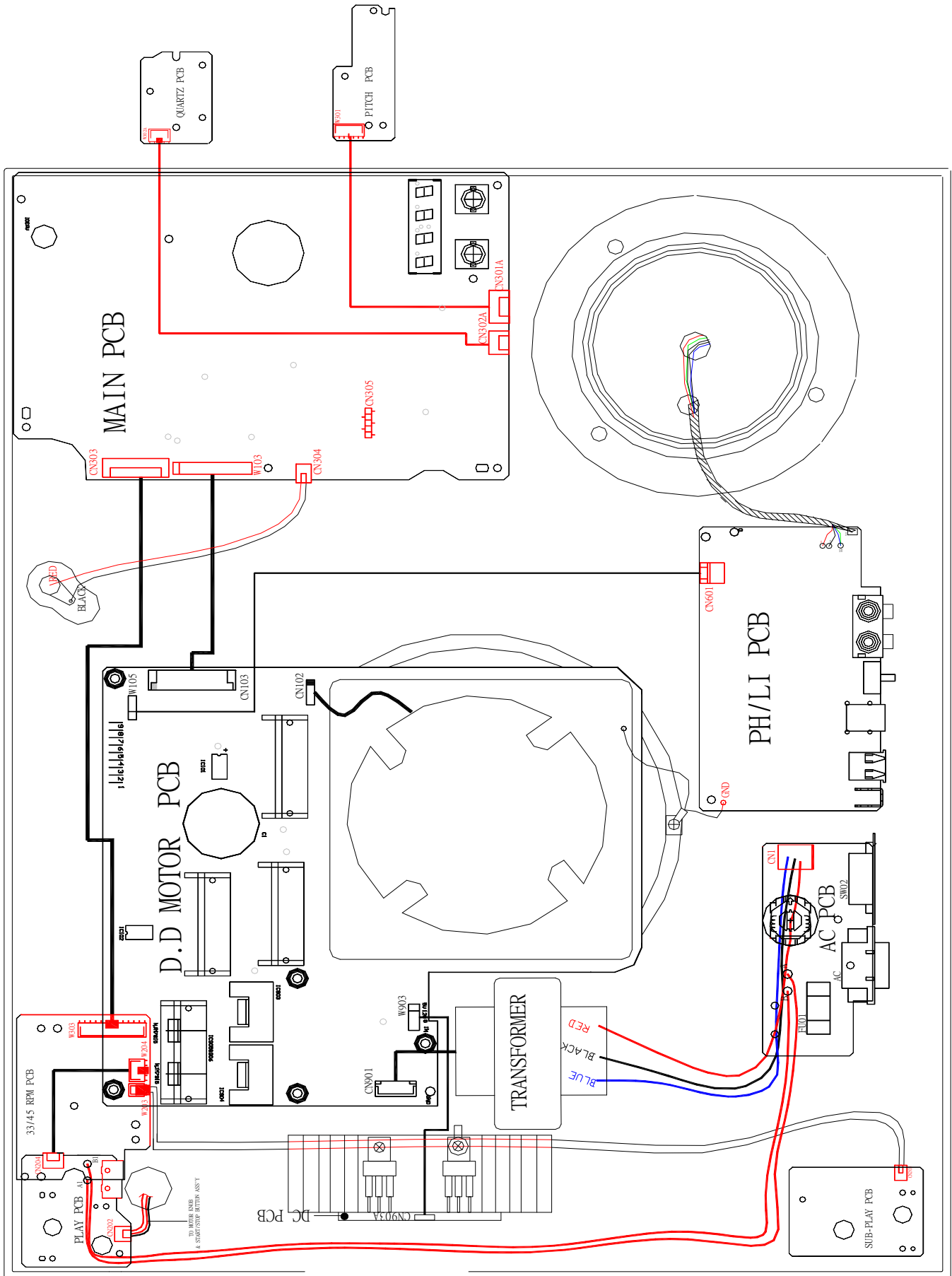
APPROVED	CHECKED	DRAWING
Title: RP7000MK2 BLOCK DIAGRAM		
Number:		Revision: 1
DATE: 2017/4/21/	File: C:\Documents and Settings\user\RP7000M	

Packing View

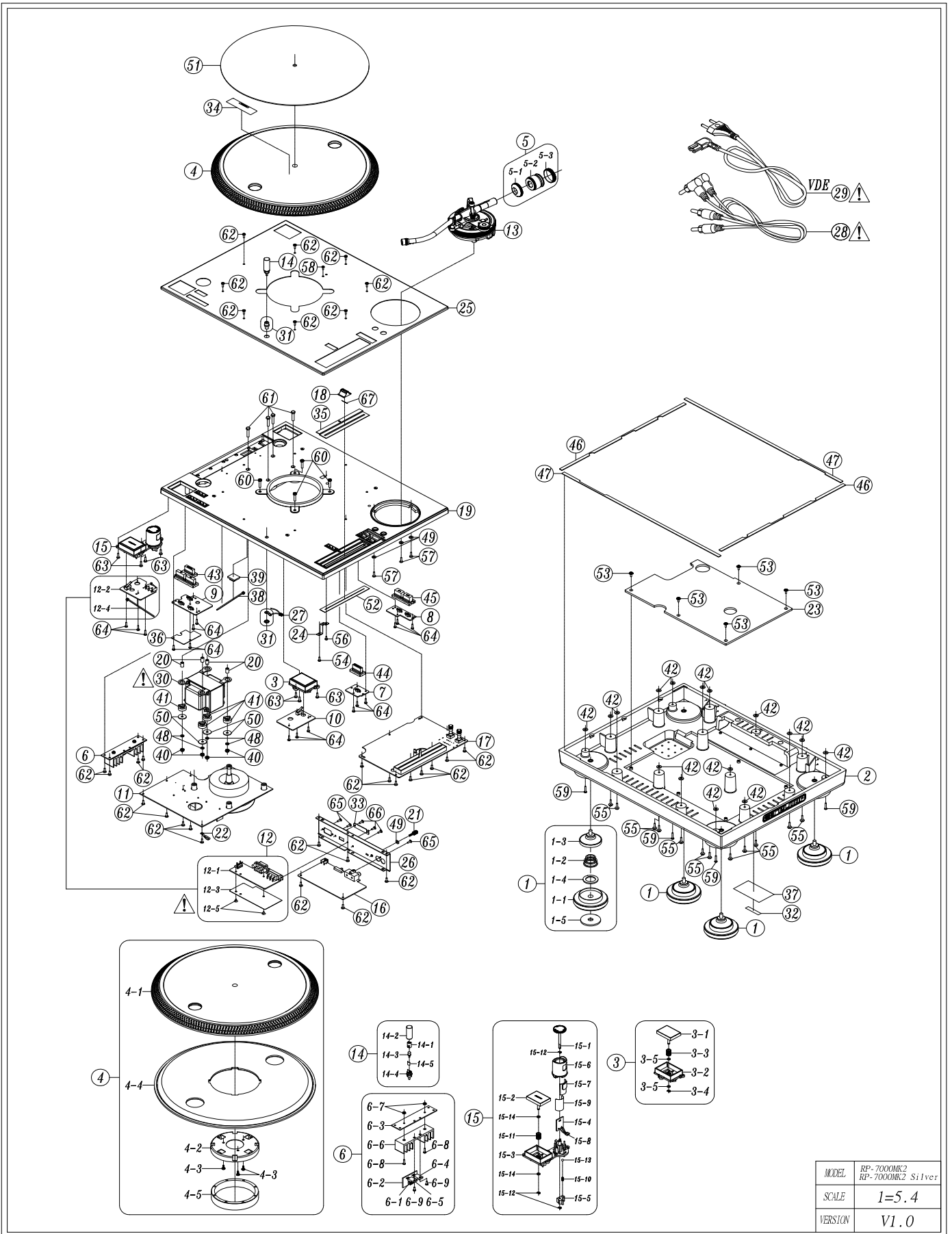


MODEL	RP-7000MK2 Silver
SCALE	1=8.2
VERSION	V2.0

Point to Point Wiring Diagram



Exploded View



MODEL	RP-7000MR2 RP-7000MR2 Silver
SCALE	1=5.4
VERSION	V1.0

Exploded View Part List

REF NO.	DESCRIPTION	PART NO.	Q'TY	REMARK
1	FOOT ASS'Y	701-DJ3500-2834	4	
1-1	PLASTIC FOOT (ABS HOT STAMP)	100-DJ3110-590B	4	
1-2	SPRING FOR FOOT	603-DJ3500-243	4	
1-3	RUBBER FOOT(BLACK)	604-DJ1900-075	4	
1-4	CUSHION FOR FOOT SPRING (EVA BLACK)	612-DJ1900-017	4	
1-5	CUSHION FOR FOOT(PORON,φ39.5*11*3t)	612-ST150-153	4	
2	BASE	701-RP7MK2A-5309	1	
3	SECONDARY BUTTON & BASE ASS'Y	701-RP7MK2-5382	1	
3-1	STOP/START BUTTON	701-RP7MK2-5310	1	
3-2	SECONDARY BUTTON BASE	701-RP8-5312S	1	
3-3	SPRING FOR START/STOP BUTTON	603-DJ3500-242	1	
3-4	E-RING WASHER(φ7*3*φ3*0.6t)	606-F200-011	1	
3-5	SPACER FOR NOISE ELIMINATION	612-ST150-150	2	
4	ALUMINIUM PLATTER ASS'Y	702-ST150-032	1	
4-1	ALUMINIUM PLATTER	200-ST150-317	1	
4-2	MAGNET BASE	300-ST150-949	1	
4-3	SCREW(SAE1018,BTB,φ3*L8)	602-DM3000-270	3	
4-4	RUBBER SLIPMAT	604-DJ5500-234	1	
4-5	MAGNET PLASTIC	613-ST150-013V	1	
5	COUNTER WEIGHT ADJUSTOR ASS'Y	702-RP7MK2-090	1	
5-1	INDICATOR	100-RP7MK2-3166	1	
5-2	COUNTEREIGHT RING	200-RP8-761	1	
5-3	RUBBER COUNTER WEIGHT	604-DJ3000-132	1	
6	DC PCB ASS'Y	704-RP8-A648	1	
6-1	4P SOCKET(CKM2501WV-4P,180°)	404-HV3500K-629A	1	
6-2	DC PCB	405-TT300-753	1	
6-3	HEAT SINK PCB(BARE)	405-RP8-3161	1	
6-4	IC(NJM-7805FA,TO-220F)	417-KC730-123	1	
6-5	IC(NJM-7812FA,TO-220F)	417-BJ1900L-231	1	
6-6	HEAT SINK(6063-T5,84*24*24.5,SILVER)	425-DJ3000-023	1	
6-7	NUT(M3*P0.5,2.5t)	601-A100-004	2	
6-8	SCREW(M3*9)	602-DJ1900-148	2	
6-9	SCREW(SAE1018,BTP,φ3*L7)	602-DJ3000-274	2	
7	QUARTZ PCB ASS'Y	704-RP7-A666	1	
8	PITCH PCB ASS'Y	704-RP7-A667	1	
9	33/45 RPM PCB ASS'Y	704-RP7-A668	1	
10	SUB-PLAY PCB ASS'Y	704-RP7-A669	1	
11	D.D.MOTOR ASS'Y	704-RP7-A684	1	
12	AC & PLAY PCB ASS'Y	704-RP7-A743	1	
12-1	AC PCB ASS'Y	704-RP8-A656	1	
12-2	PLAY PCB ASS'Y	704-RP7-A745	1	
12-3	SEGREGATE SHEET FOR AC PCB	501-RP8-2591	1	
12-4	CABLE TIE(CV-075,WHITE,L=78mm)	504-S100-004	1	
12-5	CANOE CLIPS(MB-1S,WHITE,H=6.1mm)	504-HF6011-5011	2	
13	TONE ARM ASS'Y	704-RP8MK2-B687	1	RP-7000MK2
		704-RP7M2A1-B693	1	RP-7000MK2 Silver
14	SEARCHLIGHT ASS'Y	704-RP7MK2-B689	1	

Exploded View Part List

REF NO.	DESCRIPTION	PART NO.	Q'TY	REMARK
14-1	REFLECTOR	100-ST160-3286	1	
14-2	SHEATH	200-RP7MK2-793	1	
14-3	LED(WHITE,JAL053SWC-B441,φ5)	410-RP7A2-444	1	
14-4	RCA PLUG(9196188BN)	420-ST150-158	1	
14-5	ISOLATION SHEET(PC,7.5*7.5*0.1t)	501-ST160-2768	1	
15	MOTOR KNOB & START/STOP BUTTON ASS'Y	704-RP7MK2-B690	1	
15-1	POWER KNOB & SHAFT ASS'Y	701-RP8MK2-2832	1	
15-2	STOP/START BUTTON	701-RP7MK2-5310	1	
15-3	MAIN BUTTON BASE	701-RP8-5311S	1	
15-4	LED PCB ASS'Y	704-5500H2-7329	1	
15-5	TUNING SHAFT(POWER)	100-DJ2500-1292	1	
15-6	SPOTLIGHT HOLDER (ABS)	100-RP7MK2-2052	1	
15-7	ATTACHMENT LENS	100-ST150-2053	1	
15-8	3P 2.0 CONNECTOR WIRE(L=45mm,AWM1007,AWG26)	404-RP8-3815	1	
15-9	TRANSPARENT SHEET(PC,31*29.5*0.1t)	501-ST150-1629	1	
15-10	SPRING	603-DJ3110-230	1	
15-11	SPRING FOR START/STOP BUTTON	603-DJ3500-242	1	
15-12	E-RING WASHER(φ7*3*φ3*0.6t)	606-F200-011	3	
15-13	STEEL BALL	607-B600-002	1	
15-14	SPACER FOR NOISE ELIMINATION	612-ST150-150	2	
16	PH/LI PCB ASS'Y	704-RP7MK2-B695	1	
17	MAIN PCB ASS'Y	704-RP7MK2-B707	1	RP-7000MK2
		704-RP7M2A1-B711	1	RP-7000MK2 Silver
18	SPEED PUSH BUTTON(ABS)	100-RP7MK2-2017	1	
19	CHASSIS	100-RP8-3043A	1	RP-7000MK2
		100-RP7A2-3043A	1	RP-7000MK2 Silver
20	COVER FOR TRANSFORMER	200-ST150-332	4	
21	GROUND TERMINAL	200-GND-642	1	
22	LOCKING CABLE CLIP(SPTE,φ7.6,L=35.6mm,0.6t)	300-HM510B-224B	1	
23	PLATE FOR BOTTOM BASE(SECC,4t)	300-RP8MK2-967B	1	
24	GROUND PLATE	300-DJFA-1814	1	
25	FRONT PANEL	300-RP7MK2-2084A	1	RP-7000MK2
		300-RP7M2A1-2084A	1	RP-7000MK2 Silver
26	BACK BOARD	300-RP7MK2-2085E	1	
27	2P CONNECTOR WIRE(L=130mm,AWM1007 AWG26)	404-ST150-1577	1	
28	2P RCA CORD(L=1550mm)	408-DJ5500-057	1	
29	AC POWER CORD(L=1900+/-50mm VDE)	409-DJ5500F-120	1	
30	TRANSFORMER(AC115/230V,50/60Hz)	411-RP8-898	1	
31	RCA JACK(WTN-20-6213/B)	420-ST150-159	1	
32	LABEL(BARE,36*8mm,t=1.2mm)	501-DV300-1067	1	
33	PROTECTIVE SHEET	501-QFX19-1515	1	
34	LABEL	501-ST150-1644	1	
35	DECORATIVE PLATE	501-RP8MK2-2570	1	RP-7000MK2
		501-RP7M2A1-2570	1	RP-7000MK2 Silver
36	SEGREGATE SHEET(50*35.5*0.5t)	501-RP8-2607	1	
37	RATING LABEL(72*42mm,t=0.08mm)	501-R7KM2A-2719	1	RP-7000MK2
		501-R7KM2A1-2719	1	RP-7000MK2 Silver

Main PCB Ass'y Part List

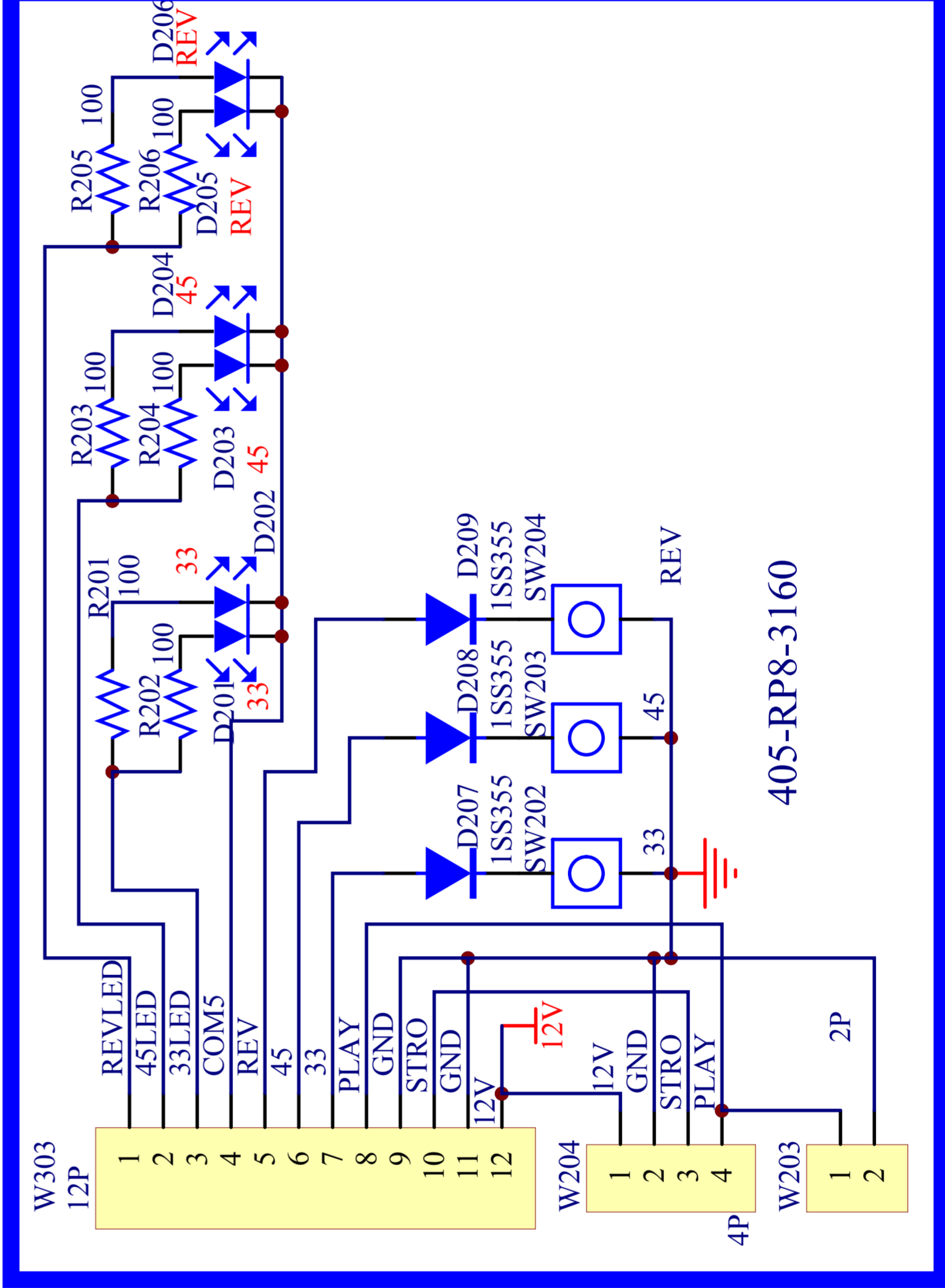
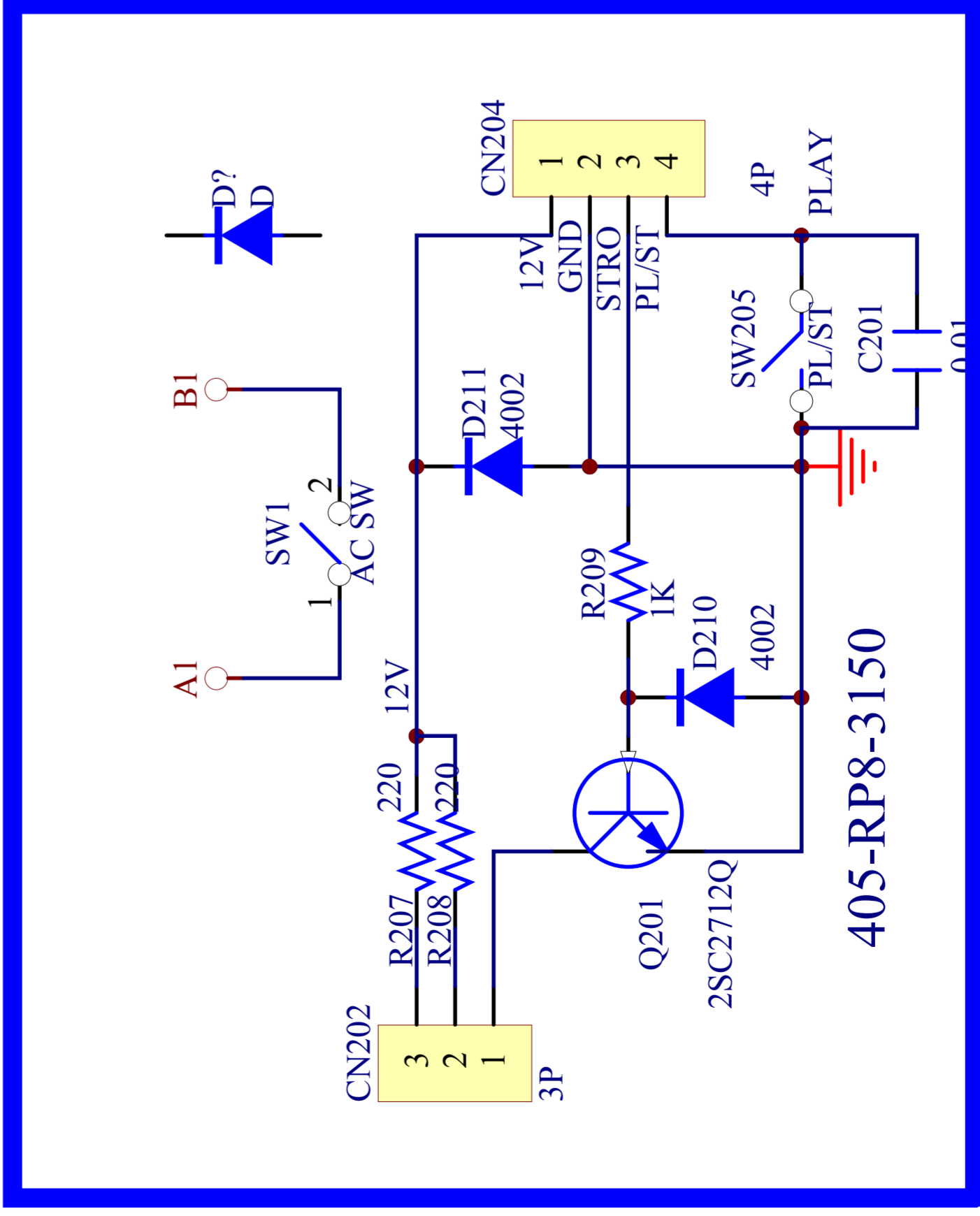
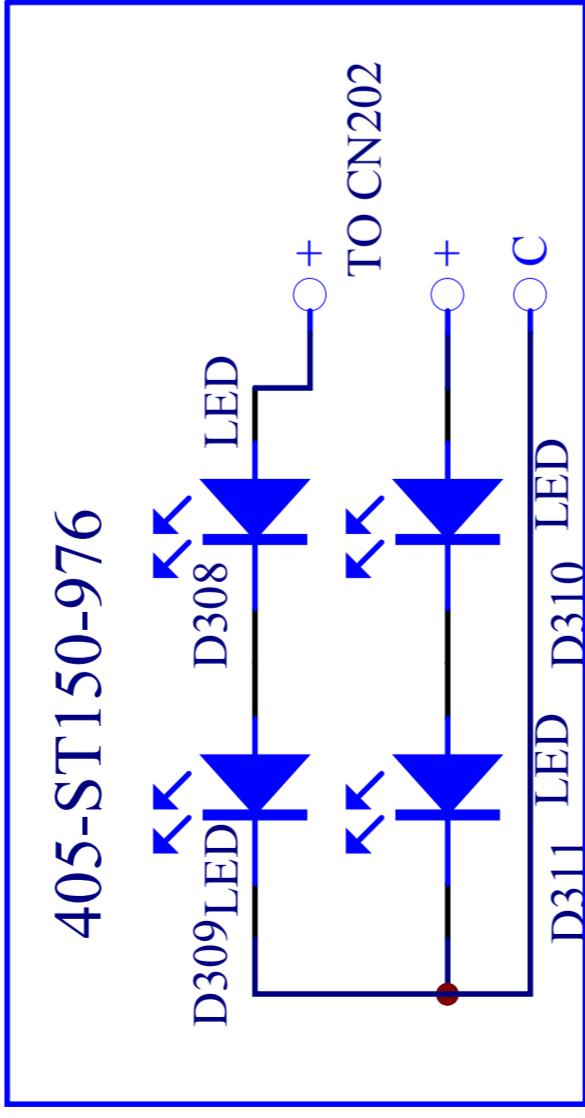
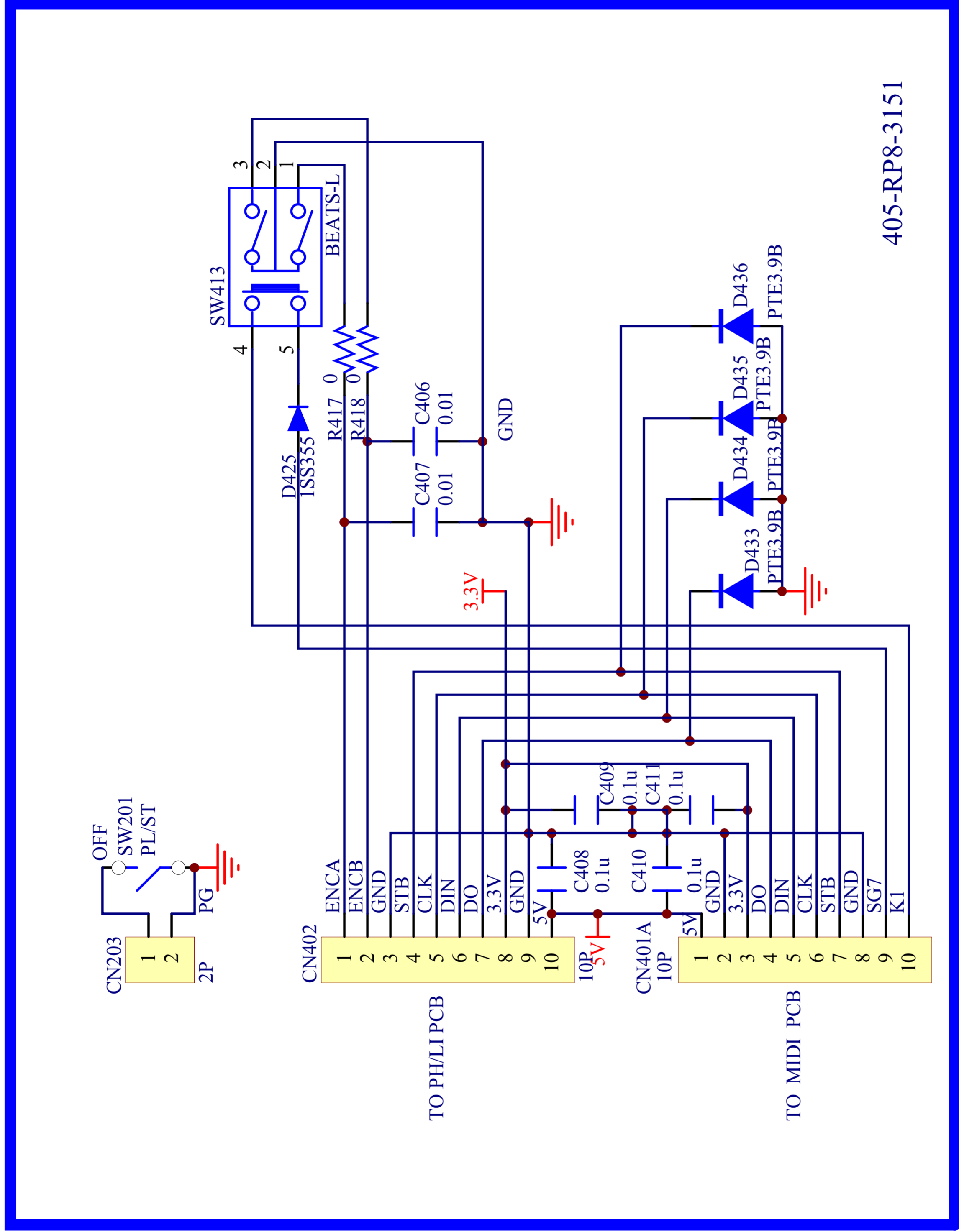
REF NO.	DESCRIPTION	PART NO.	Q'TY	REMARK
	MAIN PCB ASS'Y	704-RP7MK2-B707	1	A
	MAIN PCB ASS'Y	704-RP7M2A1-B711	1	A1
	COVER FOR KNOB	300-5500P1-950	2	A
	COVER FOR KNOB	300-ST150-950	2	A1
CN301A,	6P SOCKET(CKM2001WR-6P,90°WHITE)	404-90V1-101	1	
CN302A,	4P SOCKET(CKM2001WR-4P,90°WHITE)	404-DCM270E3-878A	1	
CN303,	12P SOCKET(CKM2001WR-12P 90°WHITE)	404-DJ3000-810A	1	
CN304,	2P SOCKET(CKM2001WR-2P 90°WHITE)	404-DJ3000-847A	1	
W103,	15P 2.0 CONNECTOR WIRE(L=70mm,AWM1007,AWG26)	404-RP8-3811	1	
CN305,	5P2.54 CONNECTOR(SHD106-A03 TYPE)(Pb,Cd)	404-T2-1705	1	
D303,	LED (LTL-3231A, GREEN)	410-SA12-178	1	
L301,L302,L304,L312,	BEAD CORE(A70512003, T-26mm)	415-HV3500K-090	4	
VR301,	SLIDE VR(10KB*2(1BM),L=17.5)	418-RP8-714	1	
VR302,VR303,	VR(10KB,RK09K113Z405-10K2B(HF3))	418-ST150-179	2	
AGND,	1P STRIP PIN HEADER(L=15mm)(Cd,Pb)	424-9000-114	1	
X301,	CRYSTAL(HC-49S,8MHz,20PF/±30PPM,11.5*4.65)	427-SUB-149	1	
D303,	LED HOLDER(LED-18.5,H=18.5mm)	504-HDJ2100-051	1	
R390,	CHIP RESISTOR(10K OHM,1/8W,J,TP 1206,150V)	412-810-967	1	
R304,R309,R314,R319,R324, R329,	CHIP RESISTOR(13KOHM,1/10W,F,TP 0603,50V)	412-900-981	6	
R377,R378,R379,	CHIP RESISTOR(6.8K,1/10W,J,0603,50V)	412-900-985	3	
R334,R335,R333,R380,R381, R382,R383,R384,R385,R386, R361,R362,R395,R396,R397,	CHIP RESISTOR(220 OHM,1/10W,J,0603,50V)	412-CDVD2001-521	15	
R336,	CHIP RESISTOR(100 OHM,1/10W,0603,J,TP,50V)	412-CDVD2001-530	1	
R326,R327,R328,R330,R355,R357, R388,R389,R391,R392,R393,R394, R301,R302,R303,R305,R306,R307, R308,R310,R311,R312,R313,R315, R316,R317,R318,R320,R321,R322, R323,R325,R374,	CHIP RESISTOR(10K OHM,1/10W,0603,J,TP ,50V)	412-CDVD2001-534	33	
R376,	CHIP RESISTOR(100K OHM,1/10W,0603 ,J,TP ,50V)	412-CDVD2001-537	1	
R372,	CHIP RESISTOR(1K OHM,1/10W,0603,J,TP,50V)	412-CDVD2001-540	1	
R373,R375,	CHIP RESISTOR(470 OHM,1/10W,0603,J,TP,50V)	412-CDVD2001-545	2	
R356,	CHIP RESISTOR(1M OHM,1/10W,0603,J,TP,50V)	412-CDVD2001-546	1	
R339,R340,R341,R342,JR7,JR 8,	CHIP RESISTOR(0 OHM,1/10W,0603,J,TP,50V)	412-CDVD2001-552	6	
JR9,JR10,JR1,JR2,JR3,JR4,JR 5,JR13,JR14,JR15,	CHIP RESISTOR(0 OHM,1/4W,J,1206,200V)	412-DJ3000-414	10	
R360,	CHIP RESISTOR(1K OHM,1/8W, 0805,J,TP 150V)	412-DV330-305	1	
C302,C306,C312,C314,C320, C324,	CHIP CAPACITOR(2200pF/50V,J,0603 TAP,X7R)	413-007USB-788	6	
C318,C309,C327,	CHIP CAPACITOR(1uF/16V,Z,0603 TAP,Y5V)	413-007USB-797	3	
C339,C340,	CHIP CAPACITOR(33pF/50V,J,0603 TAP,NPO)	413-900-926	2	
C375,C376,	CHIP CAPACITOR(100pF/50V,J,0603 TAP,NPO)	413-DCM280-767	2	
C301,C305,C310,C315,C319, C323,	CHIP CAPACITOR(0.01uF/50V,K,0603 TAP,X7R)	413-DCM280-771	6	

D.D Motor PCB Ass'y Part List

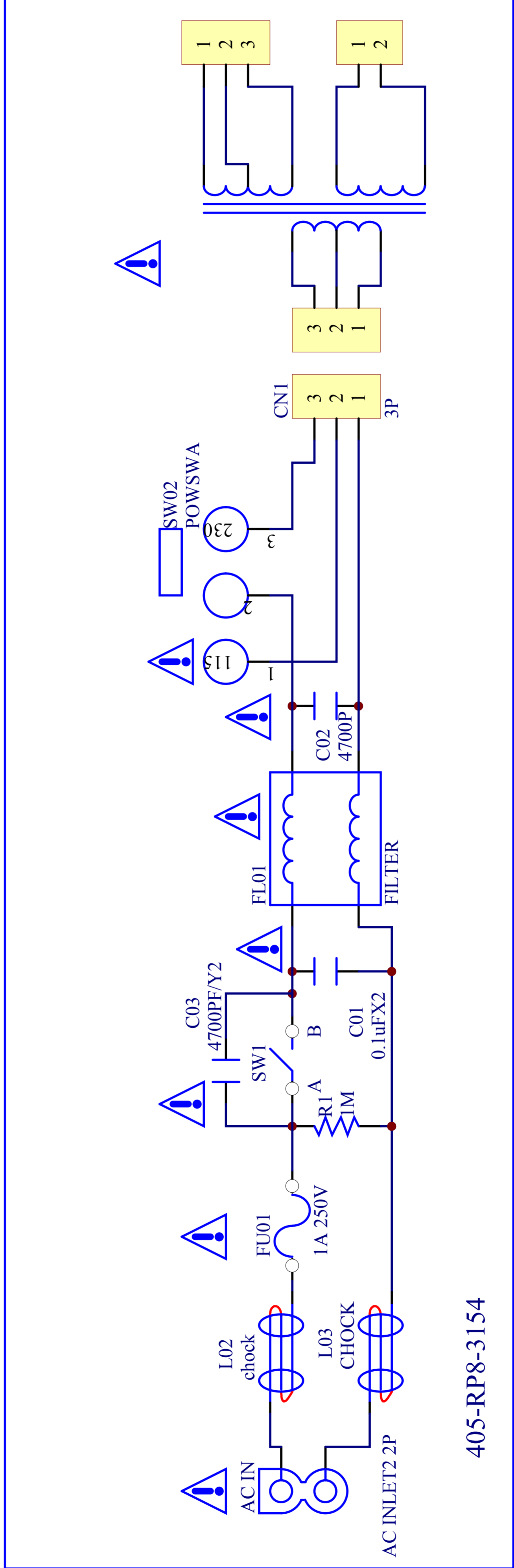
REF NO.	DESCRIPTION	PART NO.	Q'TY	REMARK
	D.D. MOTOR PCB ASS'Y	704-RP7-A713	1	
W903,	4P2.5 CONNECTOR WIRE(L=90mm,AWM1007 AWG26)	404-DJ3000-1771	1	
CN901,	5P SOCKET(CKM2501-WV-5P,180° WHITE)	404-HV3500K-622A	1	
CN103,	15P SOCKET(CKM2001WR-15P,90°,WHITE)	404-PRO3-523	1	
W105,	3P2.5 CONNECTOR WIRE(L=220mm,AWM1007 AWG26)	404-ST150-1720	1	
	SENSOR PCB	405-RP8-3155	1	
R122,R123,R124,R146,R147, R148,	METAL OXIDE FILM RESISTOR(1 OHM,1W,T-73)	412-DJ5500-661	6	
C901,	ELEC. CAPACITOR(1000uF/25V,M, 105°C,BULK 10*20)	413-DJ1900-111	1	
C909,C910,	ELEC. CAPACITOR(2200uF/50V,M,BULK 22*25,85°C)	413-RP8-1292	2	
D904,D905,D906,D907,D908, D901,D902,D903,	DIODE(1N4002(GW)-TP/1N4002TA,1A/100V,DO-41)	414-DV300-5014	8	
Q108,	TRANSISTOR(2SB1674FU6.TD-220FN)	416-DJ5500-388	1	
Q107,	TRANSISTOR(2SD2615,TD-220FN)	416-DJ5500-389	1	
IC903,	IC(NJM7824FA,TO-220F)	417-DJ2500-268	1	
IC101,IC102,	IC(NJM2147D,DIP8)	417-DJ5500-579	2	
IC904,	IC(NJM7924FA,3PIN)	417-DJ5500-581	1	
IC905,	IC(NJM7815FA,TO-220F)	417-DV330-216	1	
IC906,	IC(NJM7915FA)	417-RCC955A-291	1	
F02,F03,	FUSE(2.5A/125V,NRT1L)	422-1300-051	2	
IC903,IC904,	HEAT SINK(AL)	425-2002-001	2	
Q107&Q108,IC905&1C906,	HEAT SINK((AL,HW-7004))	425-ST150-064	2	
	SCREW(3*8mm TTB)	602-2002-077	6	
R105,R106,R111,R113,R118, R120,	CHIP RESISTOR(270 OHM 1/8W 0805 J TP 150V)	412-CDN88-014	6	
JR4,JR6,JR1,	CHIP RESISTOR(0 OHM,1/4W,J,1206,200V)	412-DJ3000-414	3	
R103,R110,R117,	CHIP RESISTOR((560K OHM,1/8W,J,TP 0805,150V)	412-DJ5000-520	3	
R150,R151,R152,	CHIP RESISTOR(1K OHM,1/8W, 0805,J,TP 150V)	412-DV330-305	3	
R104,R107,R112,R114,R119, R121,	CHIP RESISTOR(22K OHM,1/8W, 0805,J,TP 150V)	412-DV330-314	6	
R102,R109,R116,	CHIP RESISTOR(680 OHM,1/8W, 0805,J,TP 150V)	412-DV330-323	3	
R153,R154,R155,	CHIP RESISTOR(220 OHM,1/8W,0805,J,TP 150V)	412-DV330-333	3	
R101,R108,R115,	CHIP RESISTOR(6.8K OHM,1/8W, 0805 ,J,TP,150V)	412-HDJ2650-102	3	
C101,C102,C103,C104,C105,C106, C107,C108,C109,C139,C140,C141,	CHIP CAPACITOR(1000pF/50V,J,0805 TAP,NPO)	413-DV330-311	12	
C142,C110,C111,C112,C113,C906, C912,C914,C916,C918,C138,	CHIP CAPACITOR(0.1uF/ 50V,Z,0805 TAP,Y5V)	413-DV330-313	11	
D101,D102,D103,D104,D105,D106, D107,D108,D109,D110,D111,D112, D113,D114,D115,D116,D117,D118,	SWITCHING DIODE(ISS355VM 1.7*1.25MM)	414-CD1000-075A	18	
C905,	ELEC. CAPACITOR(100uF/10V,M,105°C ,TAPING 5*11)	413-3113-046	1	
C907,C908,C918,	METAL POLYESTER CAPACITOR(0.1uF/AC125V,K)	413-DJ3500-884	3	
C114,C115,C118,C119,C134, C135,C136,C137,C116,C117, C911,C913,	ELEC. CAPACITOR(100uF/35V,M,105°C ,TAPING 6.3*11)	413-HMD5000-356	12	
C915,C917,	ELEC. CAPACITOR(100uF/25V,M,105°C ,TAPING 6.3*11)	413-HS100-180	2	
C904,	ELEC.CAPACITOR(100uF/16V,M,105°C ,TAPING 5*11)	413-PXE90-109	1	

Ac & Play & 33/45 Rpm & LED PCB Ass'y Part List

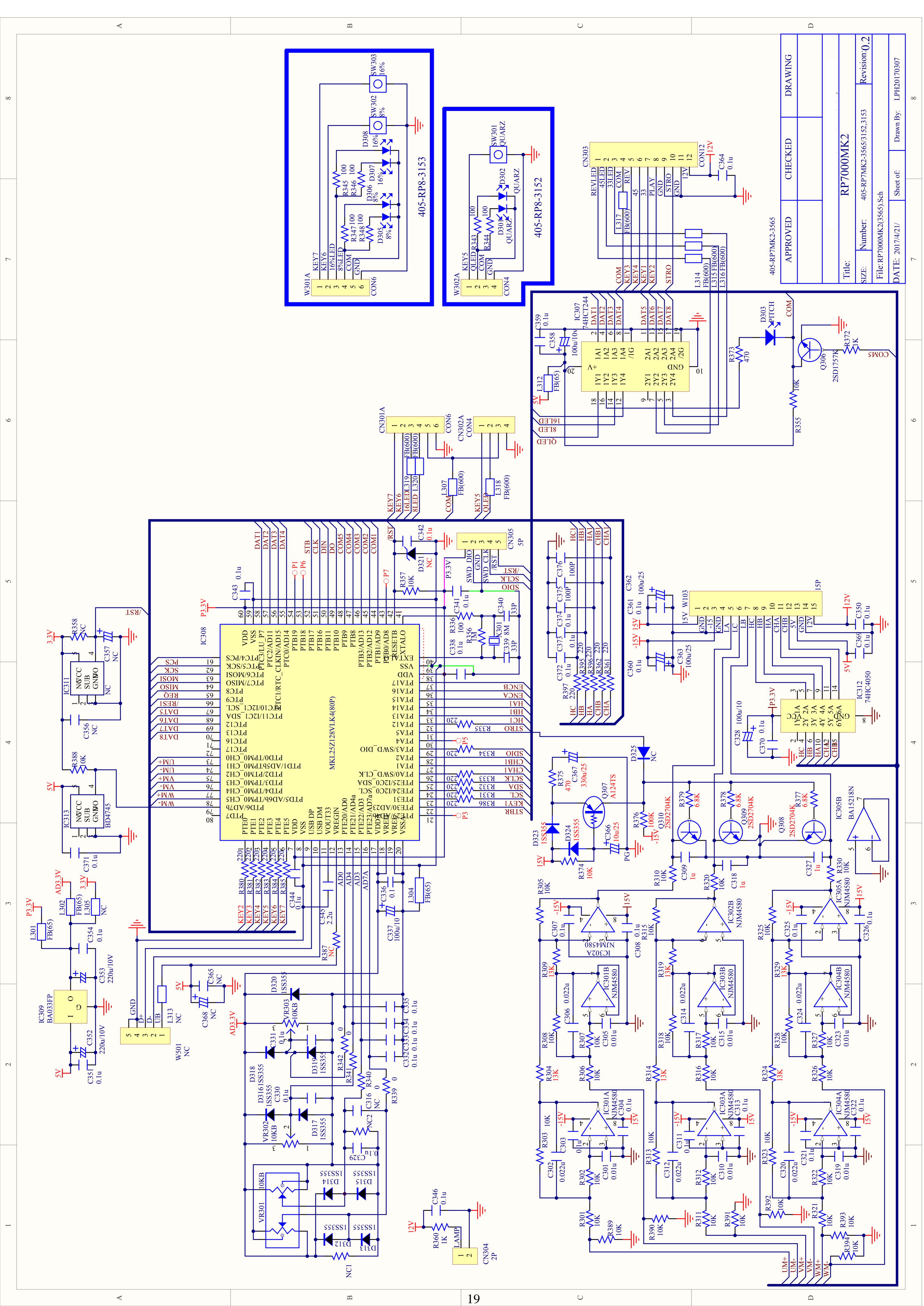
REF NO.	DESCRIPTION	PART NO.	Q'TY	REMARK
	AC PCB ASS'Y	704-RP8-A656	1	
SW02,	SLIDE SW(L16-12F2,3PIN)	403-HDJ2000-124	1	
AC,	AC SOCKET(SO-222)	404-DJ2-021	1	
CN1,	5N3P 3.96 SOCKET(CKM3961WV-5P,180°WHITE)	404-DJ5000-1764	1	
	AC PCB	405-RP8-3154	1	
R01,	UL RESISTOR(1M OHM,1/2W,J,T52)	412-PLX-1696	1	
C02,C03,	AC SAFETY CAPACITOR(4700pF/250V,M,BULK,Y5V)	413-1431-104	2	
C01,	MEX CAPACITOR(0.1uF/250V,K,BULK)	413-PROTT1-432	1	
L02,L03,	CHOKE COIL(14*6mm,100MHZ,750ohm)	415-205-279	2	
FL01,	FILTER((ASC-1603F-G))	415-5500-387	1	
FU01,	FUSE CLIPS(FS-001)	420-KT350A-004	2	
FU01,	FUSE(1A/250V,Cd,Pb,Cr,Hg,50T010H)	422-HDJ7100-022	1	
FU01,	FUSE COVER	504-DJ2500J-046	1	
L02,L03,	HEAT-SHRINKABLE TUBE	605-HDJ201F-050		
	PLAY PCB ASS'Y	704-RP7-A745	1	
SW1,	AC SW(1001121417(SM1-N6S-504C0-Z)	403-5500-472	1	
SW205,	TACT SW	403-DJ3500-134A	1	
CN204,	4P SOCKET(CKM2001WR-4P,90°WHITE)	404-DCM270E3-878A	1	
CN202,	3P SOCKET(CKM2001WR-3P 90°WHITE)	404-HMD5000-784A	1	
A1 TO A,B1 TO B,	LEAD WIRE	406-RP8-1264	2	
	CABLE TIE	504-S100-004	1	
	PLAY PCB	405-RP8-3150	1	
R207,R208,	CHIP RESISTOR(100 OHM,1/8W,J,0805,150V)	412-DV330-304	2	
R209,	CHIP RESISTOR(1K OHM,1/8W, 0805,J,TP 150V)	412-DV330-305	1	
C201,	CHIP CAPACITOR(0.01uF/50V,J,0603 TAP,NPO)	413-DCM280-889	1	
D210,D211,	CHIP DIODE(SM4002A,1A,100V,DO-214AC)	414-HDJ9700-145	2	
Q201,	TRANSISTOR(2SC2712-GR,2-3F1A)	416-CTB200-166	1	
	33/45 RPM PCB ASS'Y	704-RP7-A668	1	
W204,	4P 2.0 CONNECTOR WIER(L=50mm,UL 1007#26 TS)	404-4001-2280	1	
W303,	12P 2.0 CONNECTOR WIRE(L=220mm,AWM1007,AWG26)	404-RP8-3810	1	
W203,	2P 2.0 CONNECTOR WIRE(L=290mm,AWM1007,AWG26)	404-RP8-3814	1	
R201,R202,R203,R204,R205, R206,	CHIP RESISTOR(100 OHM,1/10W,0603,J,TP,50V)	412-CDVD2001-530	6	
C201,	CHIP CAPACITOR(0.1uF/50V,Z,0603 TAP,Y5V)	413-DCM280-773	1	
D207,D208,D209,	SWITCHING DIODE(ISS355VM 1.7*1.25MM)	414-CD1000-075A	3	
	33/45 THE ROTATIONAL SPEED PCB RT ASS'Y	704-RP7-A668B	1	
SW202,SW203,SW204,	TACT SW(H=5mm,TAPING)	403-DCM270X-101A	3	
D201,D202,D203,D204,D205, D206,	LED(RED,LTL1CHJEDNN-012A, ⌀ 3)	410-DJ5000-253T	6	
	33/45ROTATIONAL SPEED PCB	405-RP8-3160	1	
J202,J203,J204,J201,J205,	JUMPER	406-3113-175	5	
	LED PCB ASS'Y	704-5500H2-7329	1	
	LED PCB(BARE,94V0,EC204,108*115.6*1.6t)	405-ST150-976	1	
	LED(L573SAC,RED,LTL-2G3VEK, ⌀ 5,2000)	410-MH1-287	4	



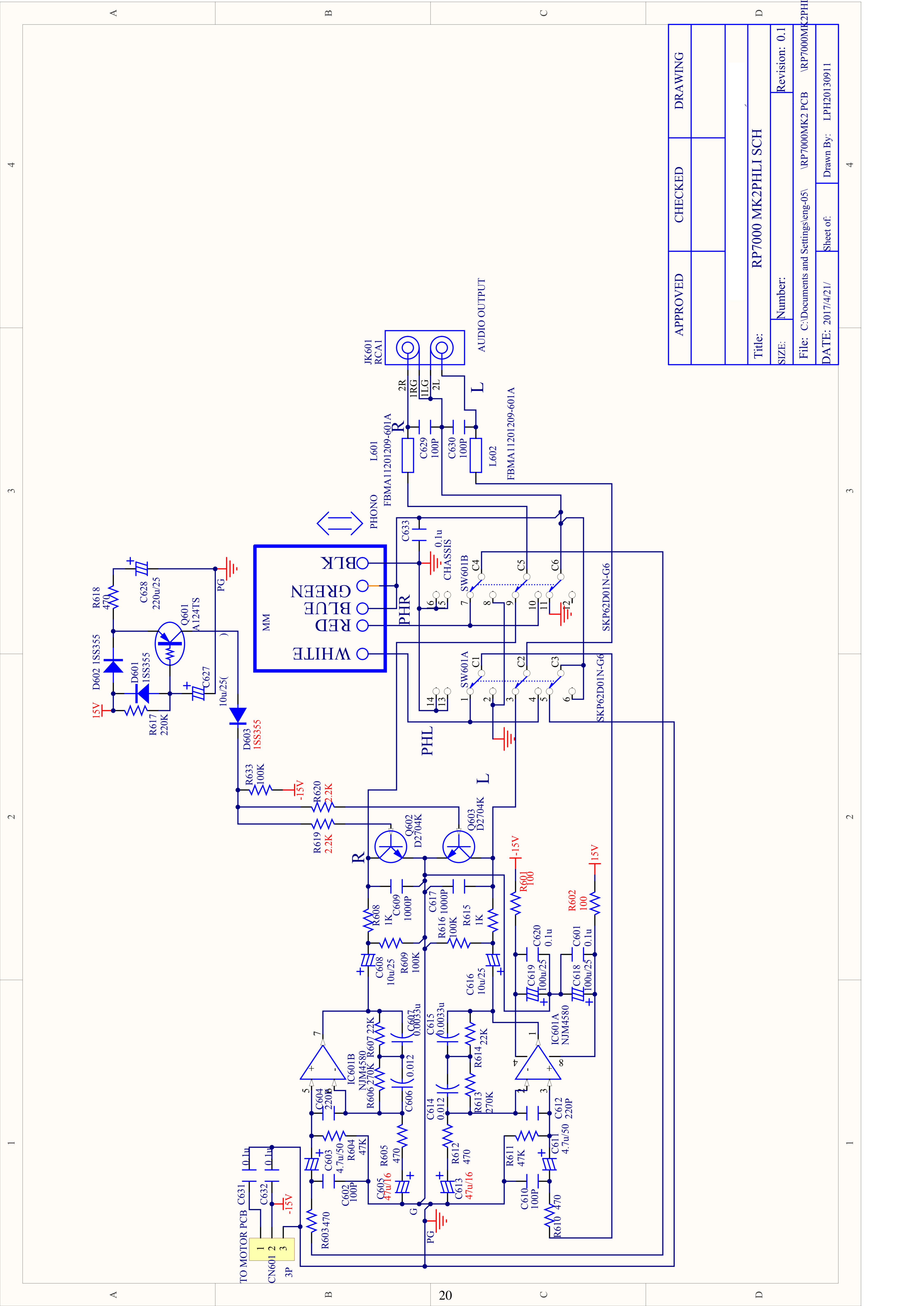
APPROVED	CHECKED	DRAWING
Title: RP8000PLAY		
SIZE:	Number: 405-RP8-3150,3151,3160	Revision: 1
File: \\Fileserver\SZ-ENGINEER\1\TN \2013\RP-2060,8000,7000.1000\RP8		
DATE: 2013/9/24	Sheet of:	Drawn By: LPH20130911



APPROVED	CHECKED	DRAWING
Title: AC SCH		
SIZE:	Number: 405-RP8-3154	Revision: 1
File: \\Fileserver\SZ-ENGINEER\VTN \2013\RP-2060,8000,7000.1000\RP8		
DATE: 2013/9/24	Sheet of:	Drawn By: LPH20130911



APPROVED	CHECKED	DRAWING
405-RP7MK2-3565		
Title: RP7000MK2		
Number:	405-RP7MK2-3565/3152,3153	Revision: 0.2
File:	RP7000MK2(3565).Sch	
DATE:	2017/4/21/	Sheet of: LPH20170307



APPROVED	CHECKED	DRAWING
Title: RP7000 MK2PHLI SCH		
SIZE: Number:	Revision: 0.1	
File: C:\Documents and Settings\eng-05\RP7000MK2 PCB \RP7000MK2PHLI		
DATE: 2017/4/21/	Sheet of:	Drawn By: LPH20130911

4

3

2

1

A

B

20

C

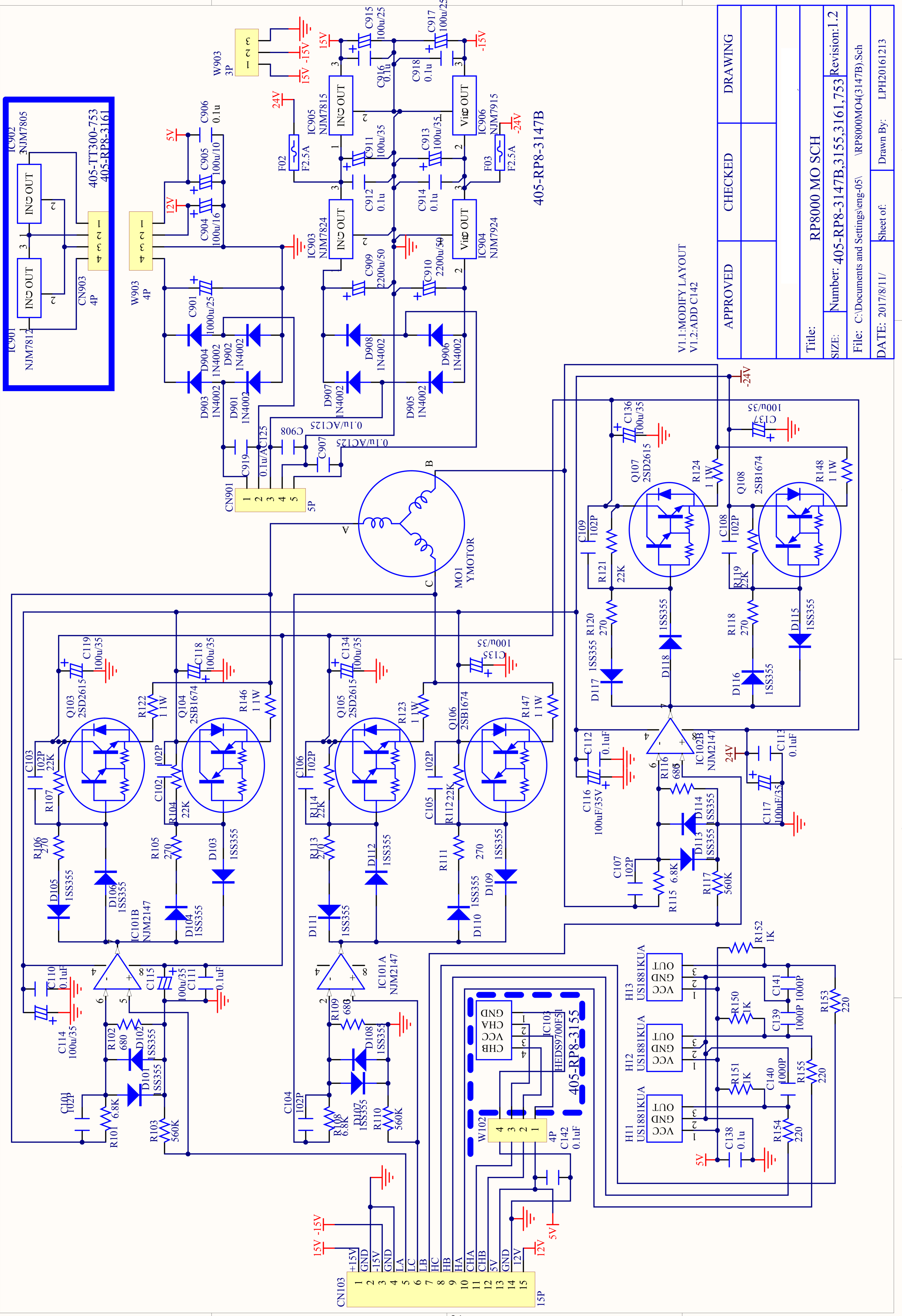
D

1

2

3

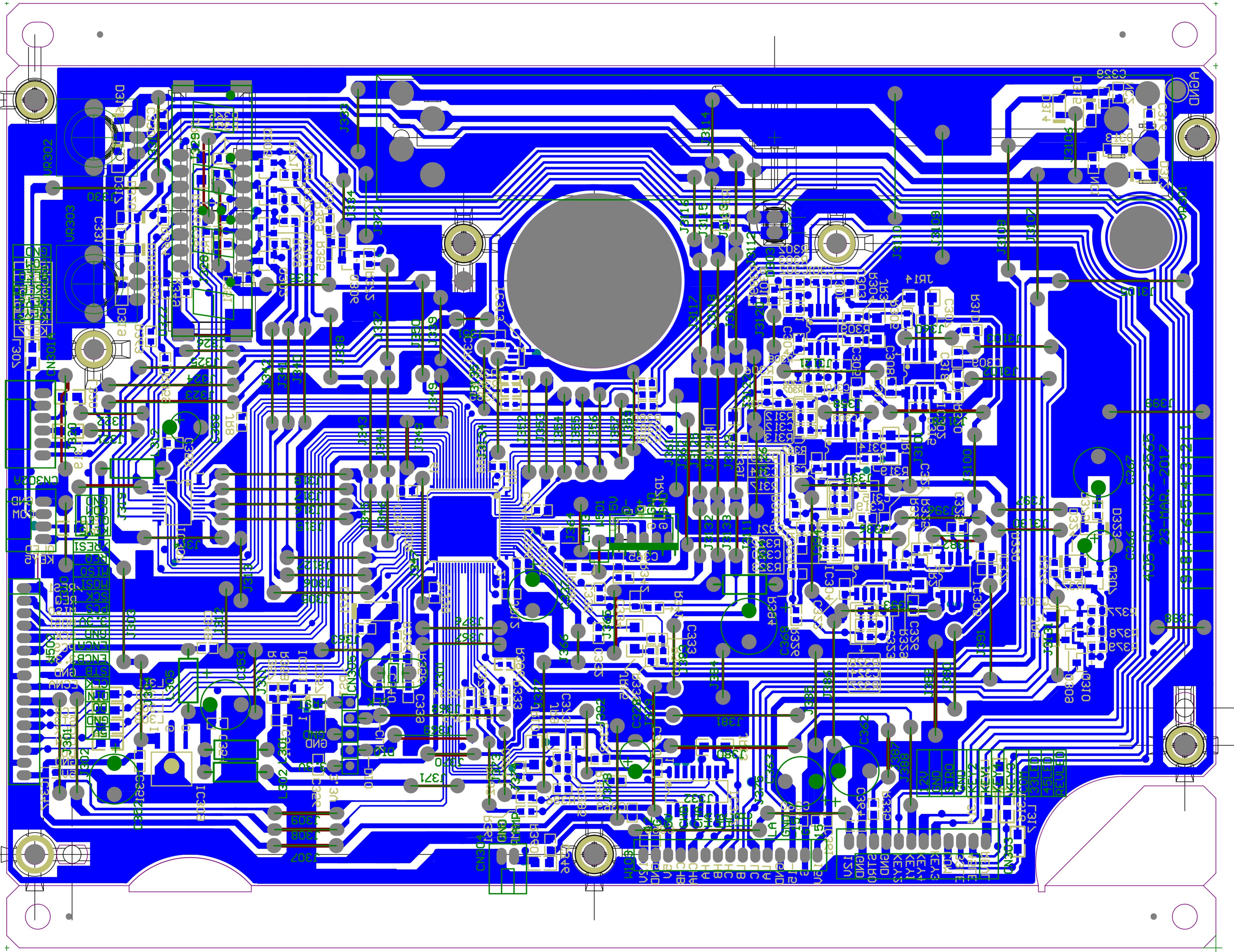
4

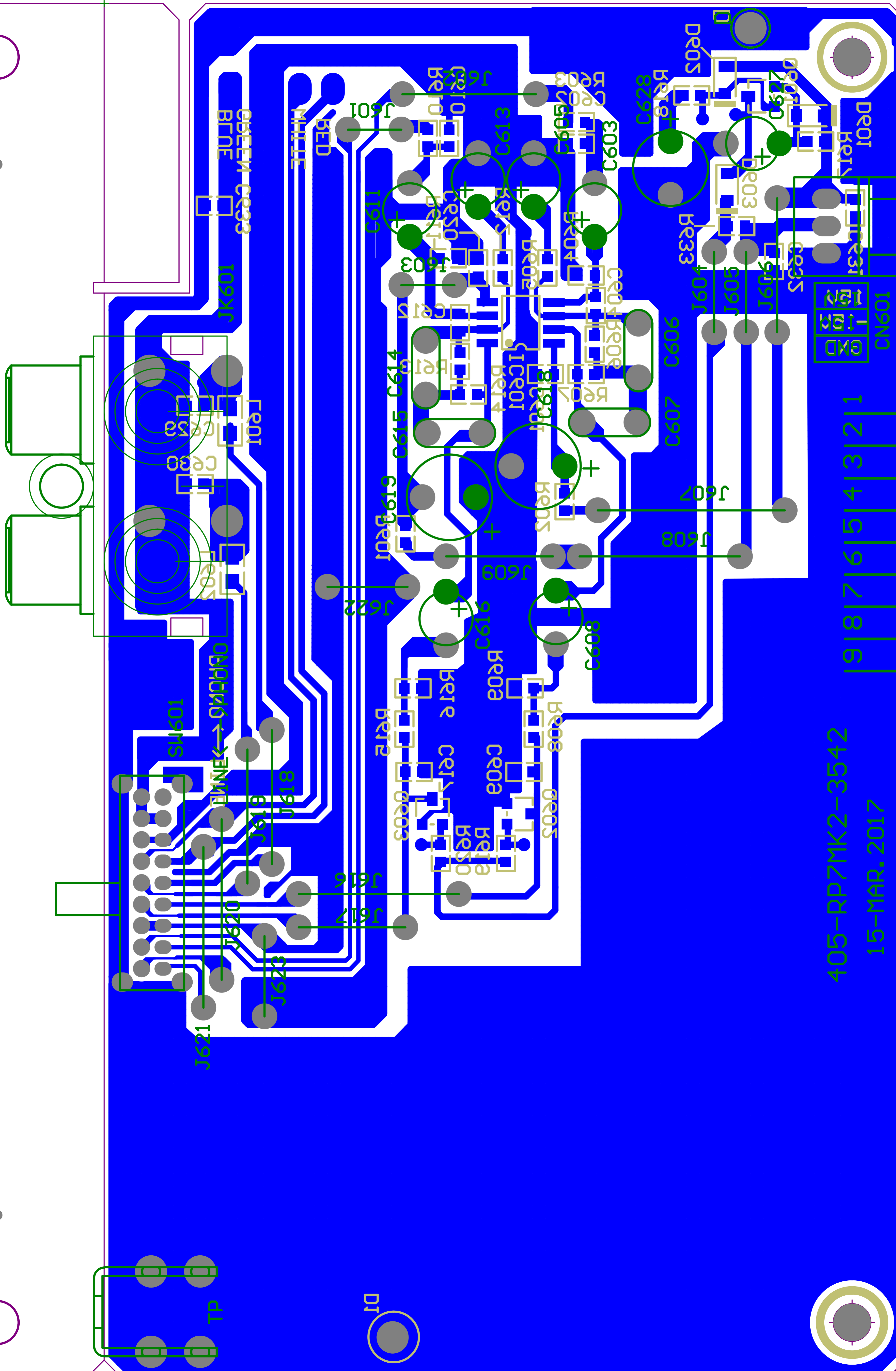


V1.1:MODIFY LAYOUT
V1.2:ADD C142

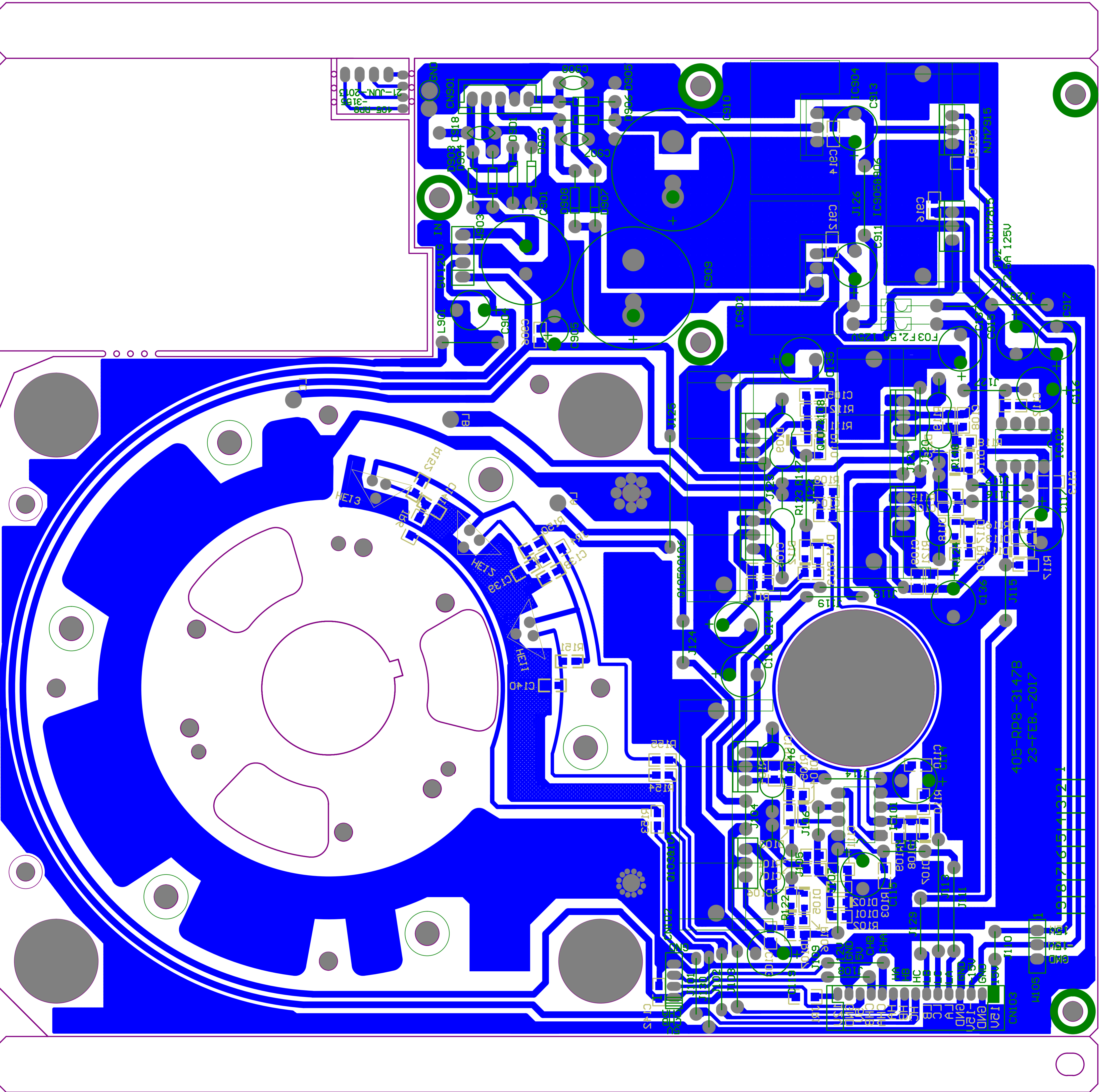
APPROVED	CHECKED	DRAWING
Title: RP8000 MO SCH		
SIZE: Number: 405-RP8-3147B,3155,3161,753 Revision:1.2		
File: C:\Documents and Settings\leng-05\ \RP8000MO4(3147B).Sch		
DATE: 2017/8/11/	Sheet of:	Drawn By: LPH20161213

405-RP7MK2-3565
MAIN PCB



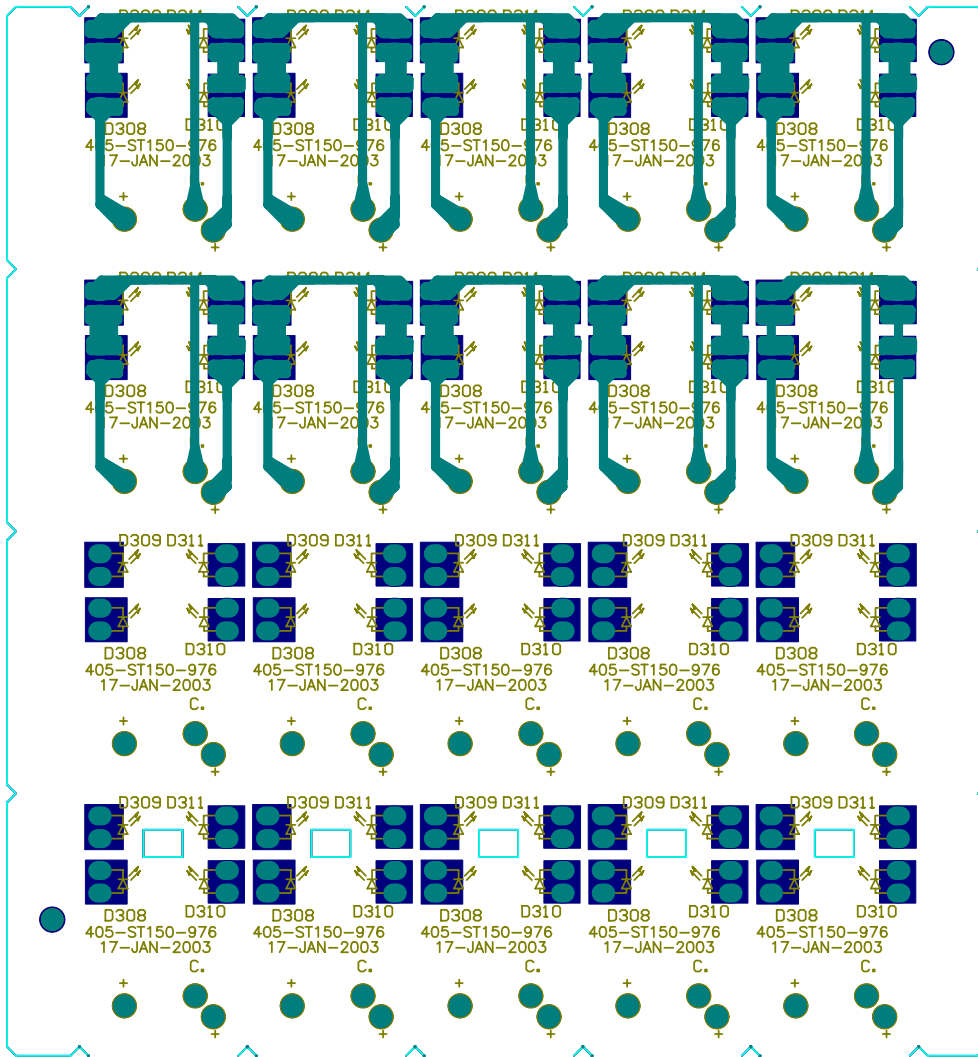


405-RP8-3147B/3155
D.D.MOTOR/SENSOR PCB

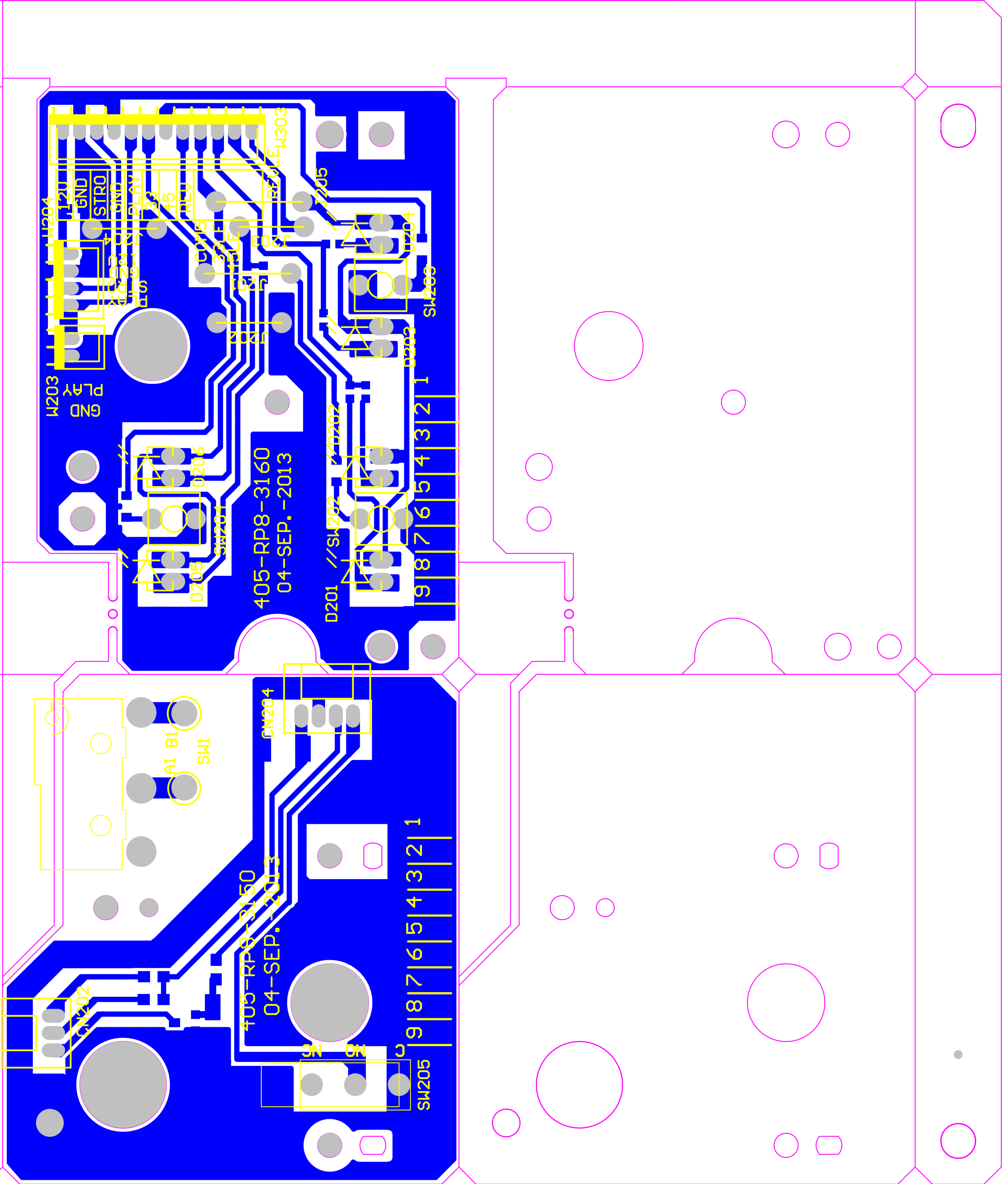


405-RP8-3147B
23-FEB.-2017

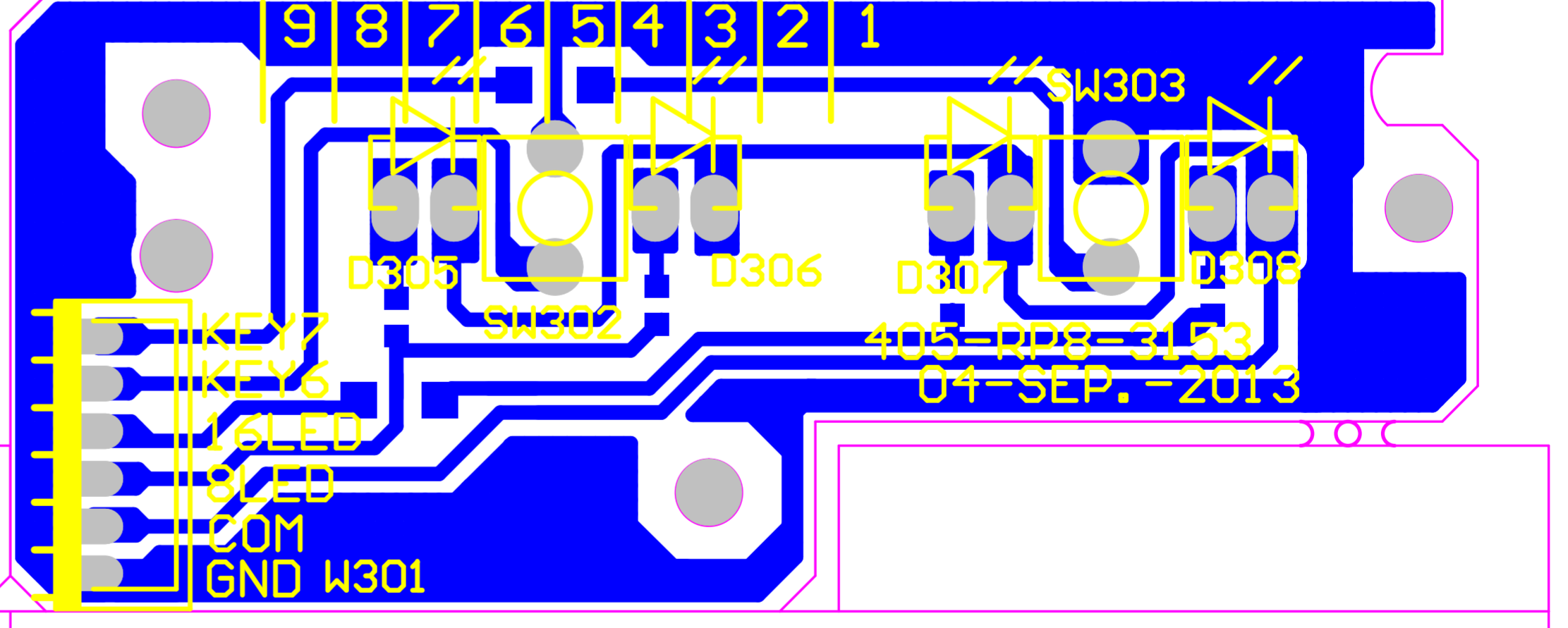
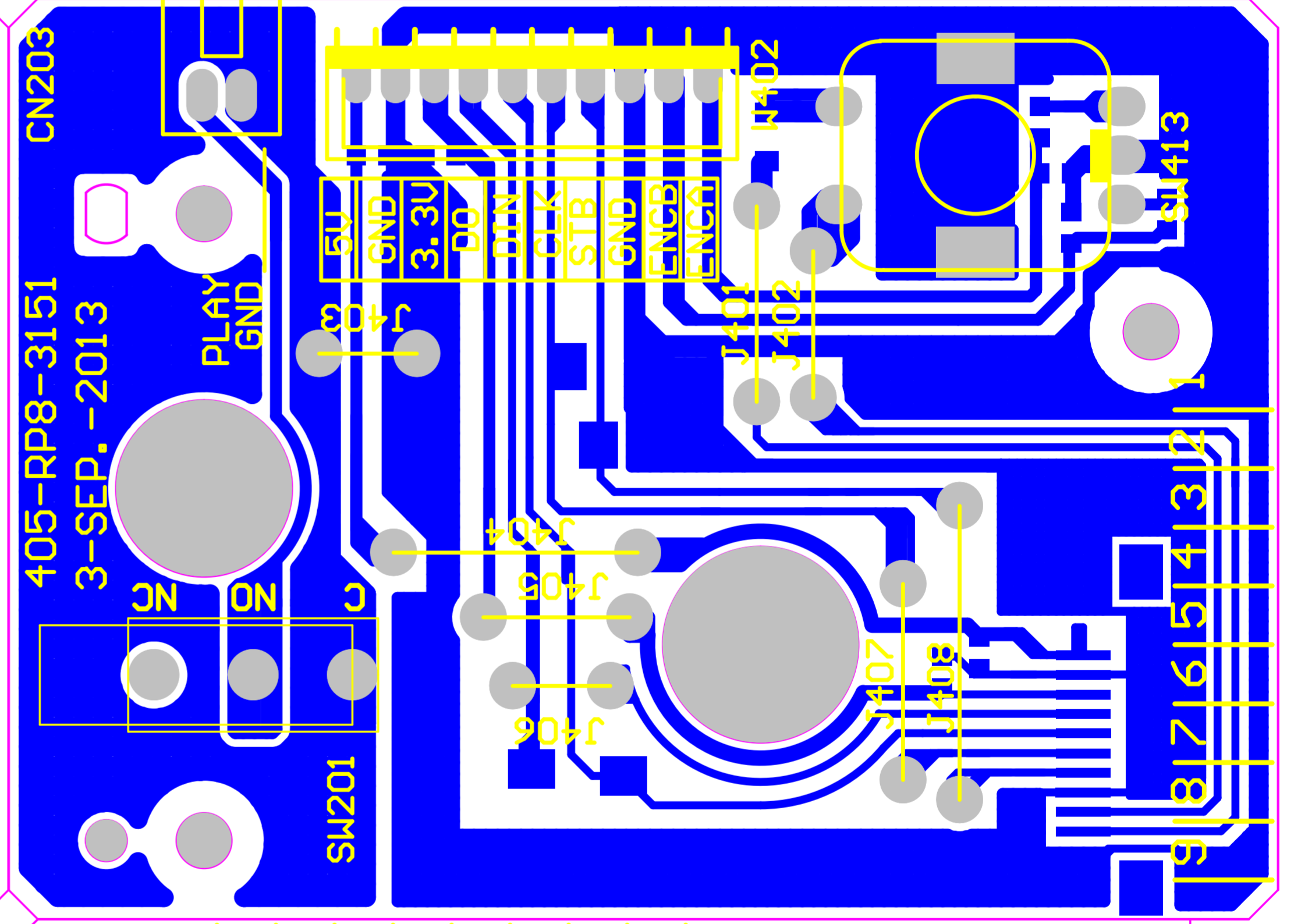
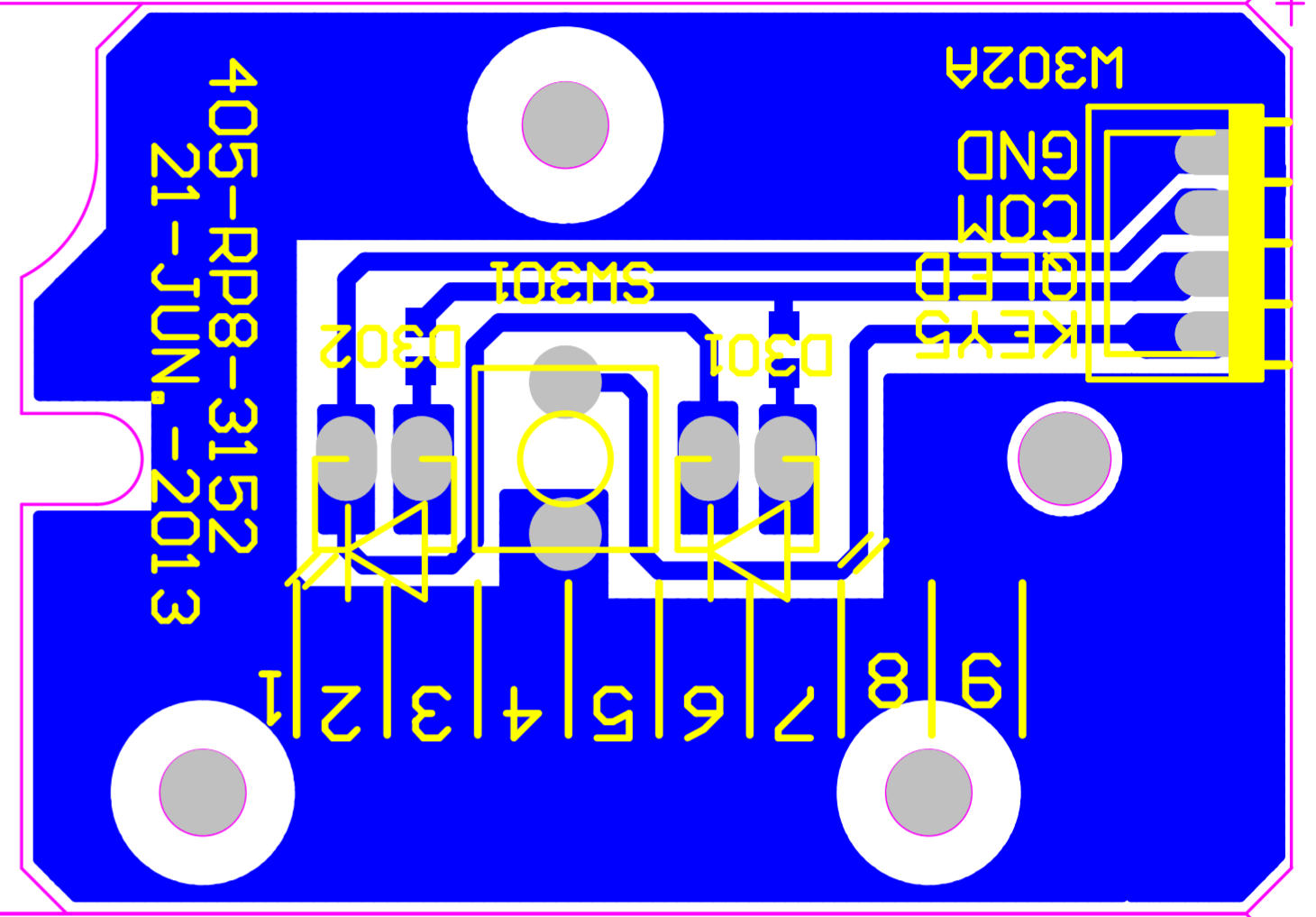
405-ST150-976□
LED PCB



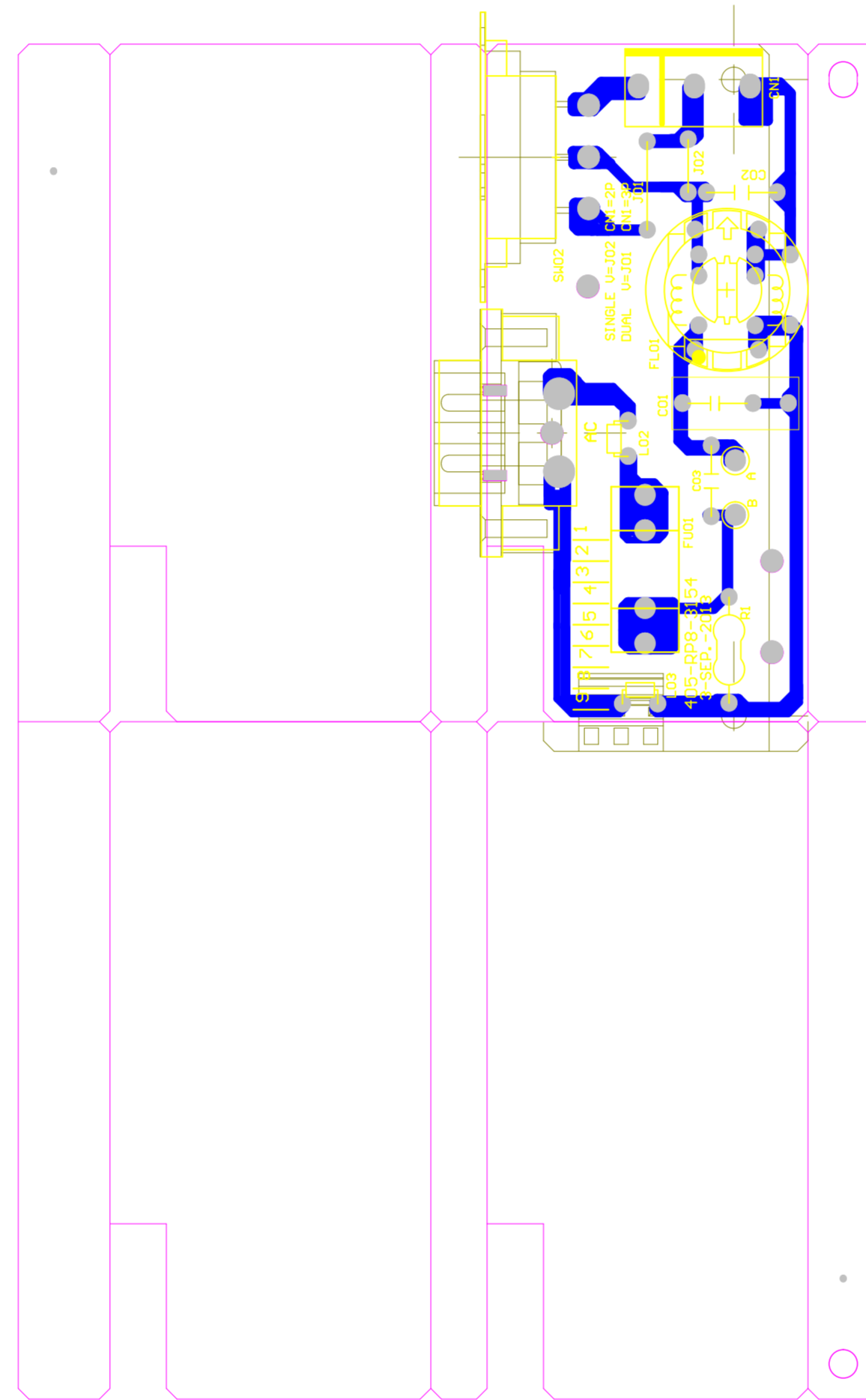
405-RP8-3150/3160
 PLAY/33/45ROTATIONAL SPEED PCB



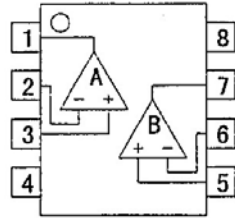
405-RP8-3151/3152/3153
 SUB-PLAY/QUARTZ /PITCH PCB



405-RP8-3154
AC PCB



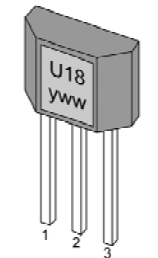
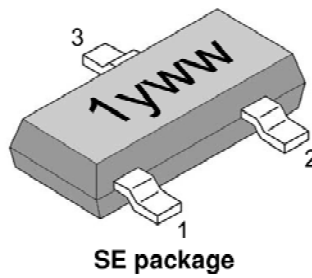
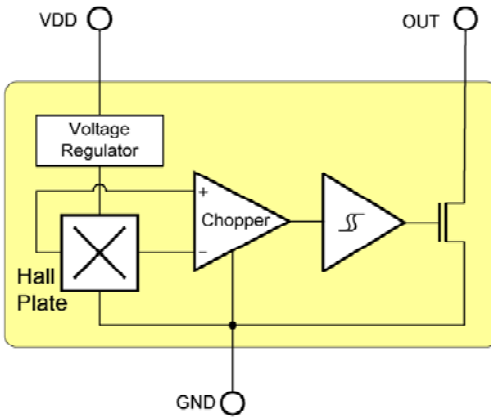
417-DJ5500-579
NJM2147D



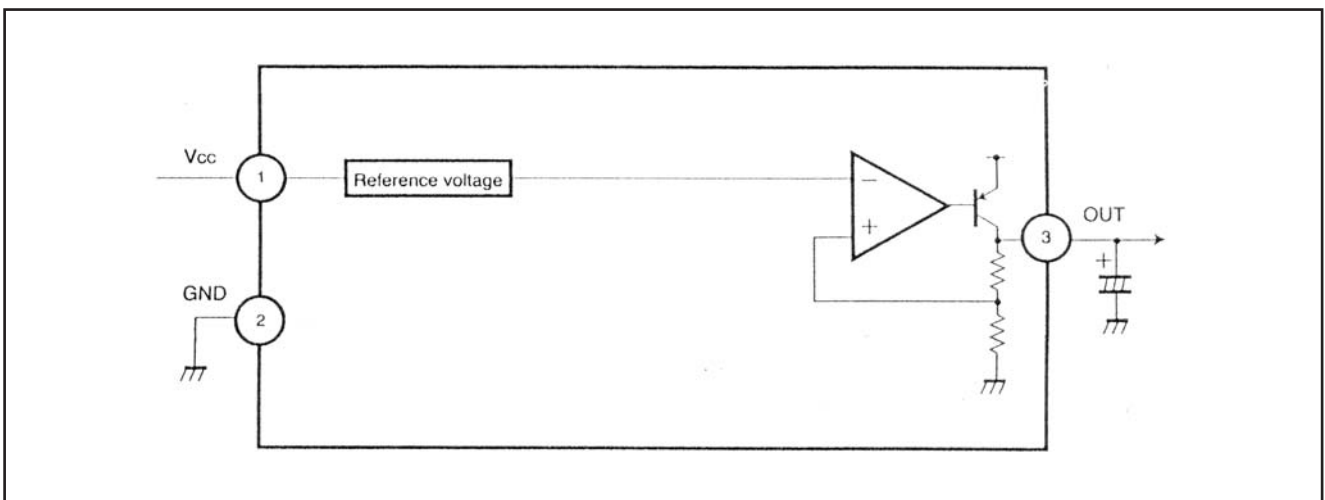
PIN FUNCTION

1. A OUTPUT
2. A -INPUT
3. A +INPUT
4. V⁻
5. B +INPUT
6. B -INPUT
7. B OUTPUT
8. V⁺

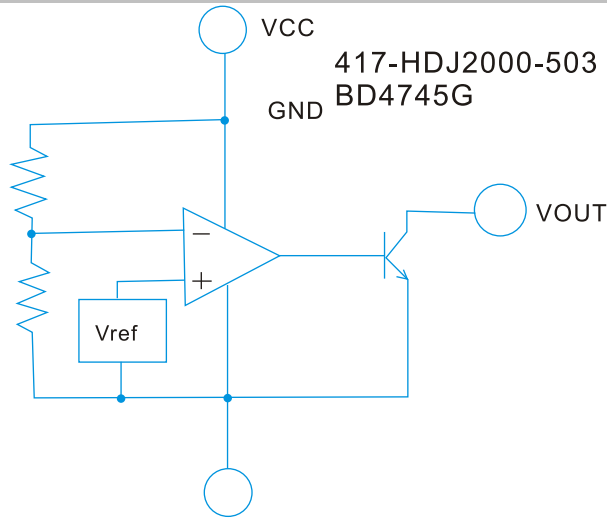
417-DJ5500-580 US1881KUA



417-CTB200-500 IC(BA033FP-E2,TO-252-3)

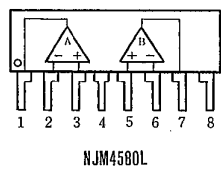
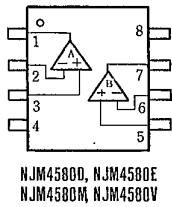


IC Block Diagram



417-ST150-599 NJM-4580M-TE2,SOP-8

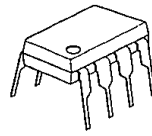
PIN CONFIGURATION



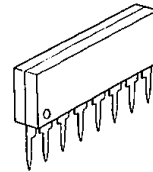
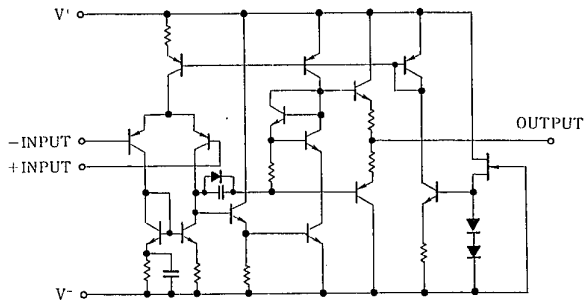
PIN FUNCTION

- 1. A OUTPUT
- 2. A -INPUT
- 3. A +INPUT
- 4. V⁻
- 5. B +INPUT
- 6. B -INPUT
- 7. B OUTPUT
- 8. V⁺

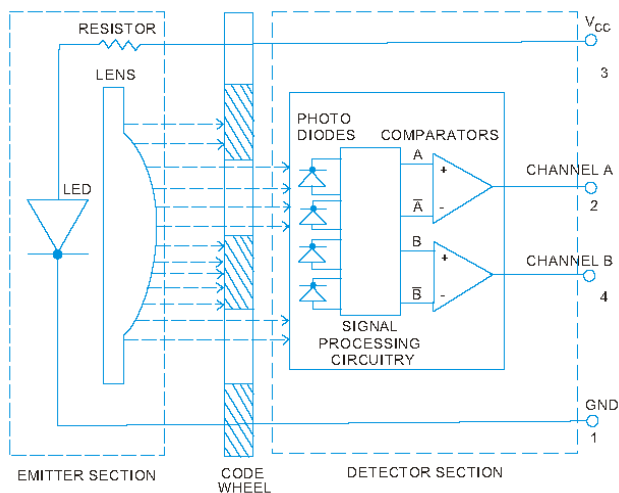
PACKAGE OUTLINE

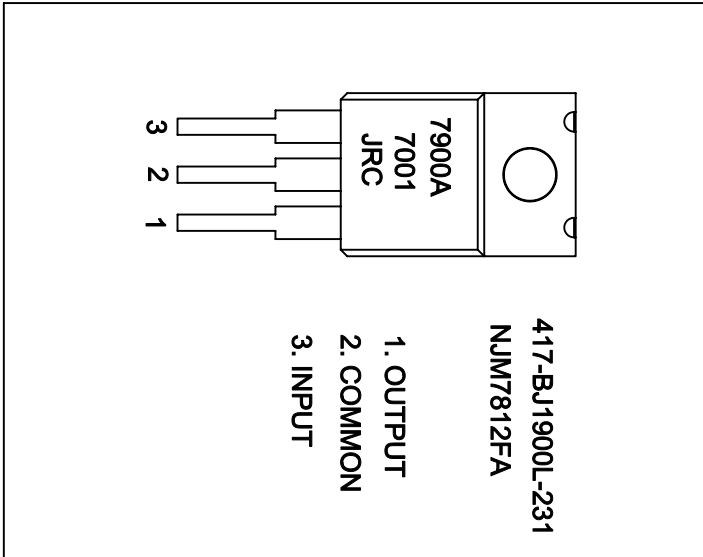
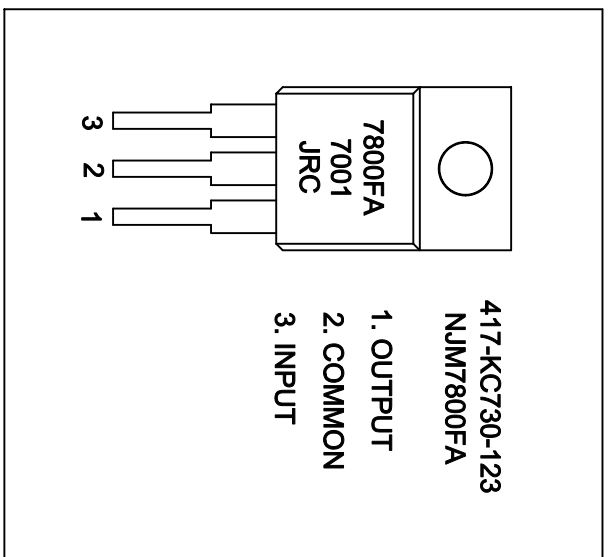
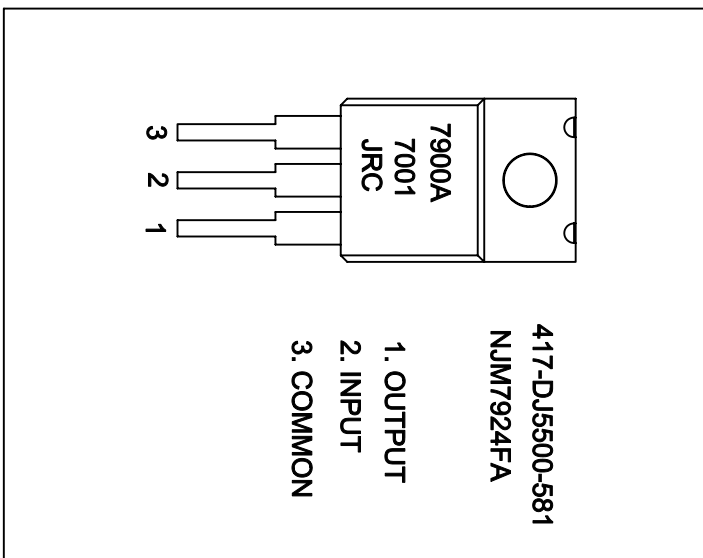
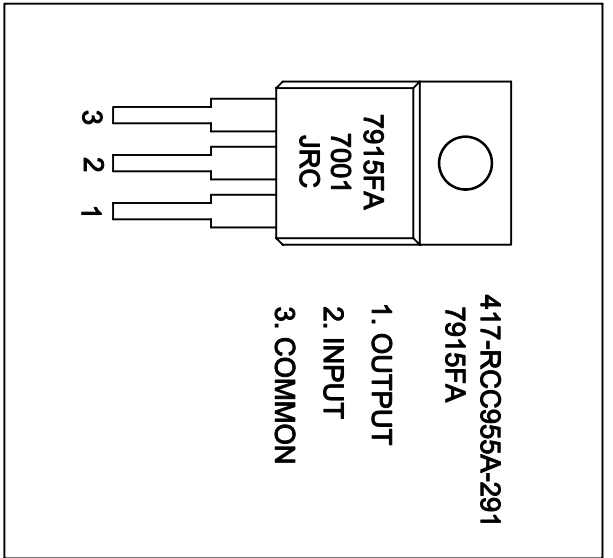
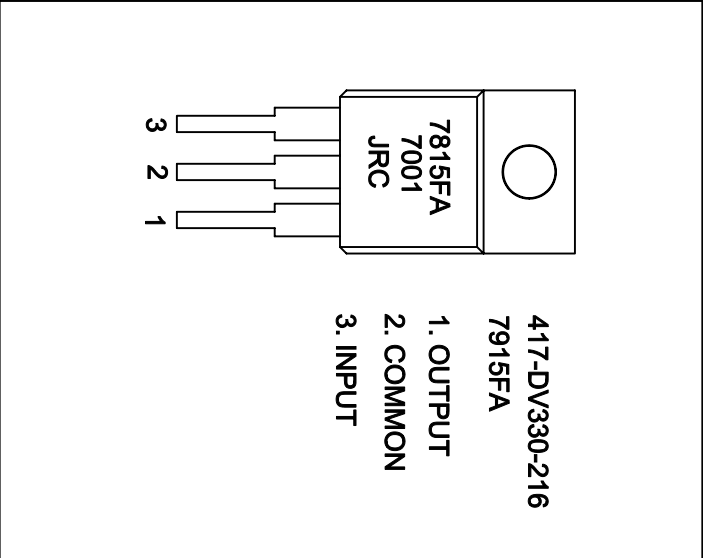
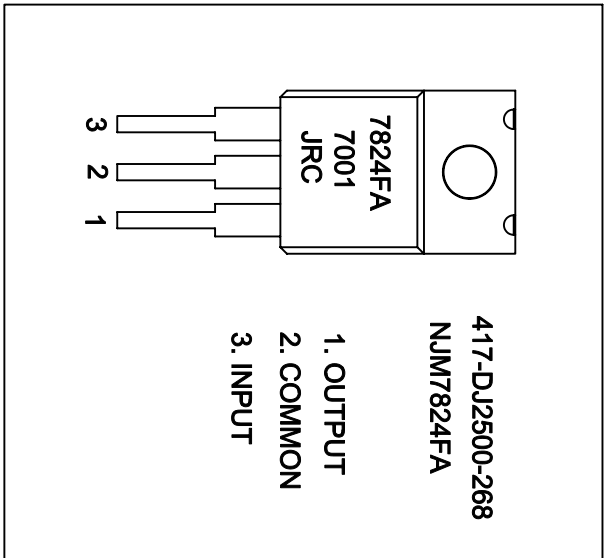


EQUIVALENT CIRCUIT (1/2 Shown)



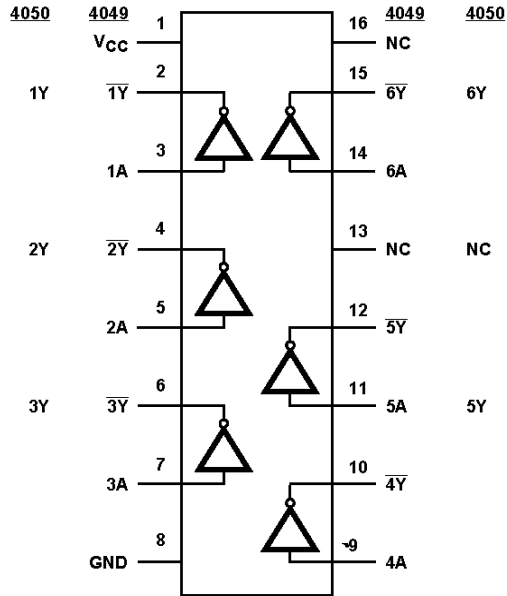
417-PS2-504 HEDS-9700#F51



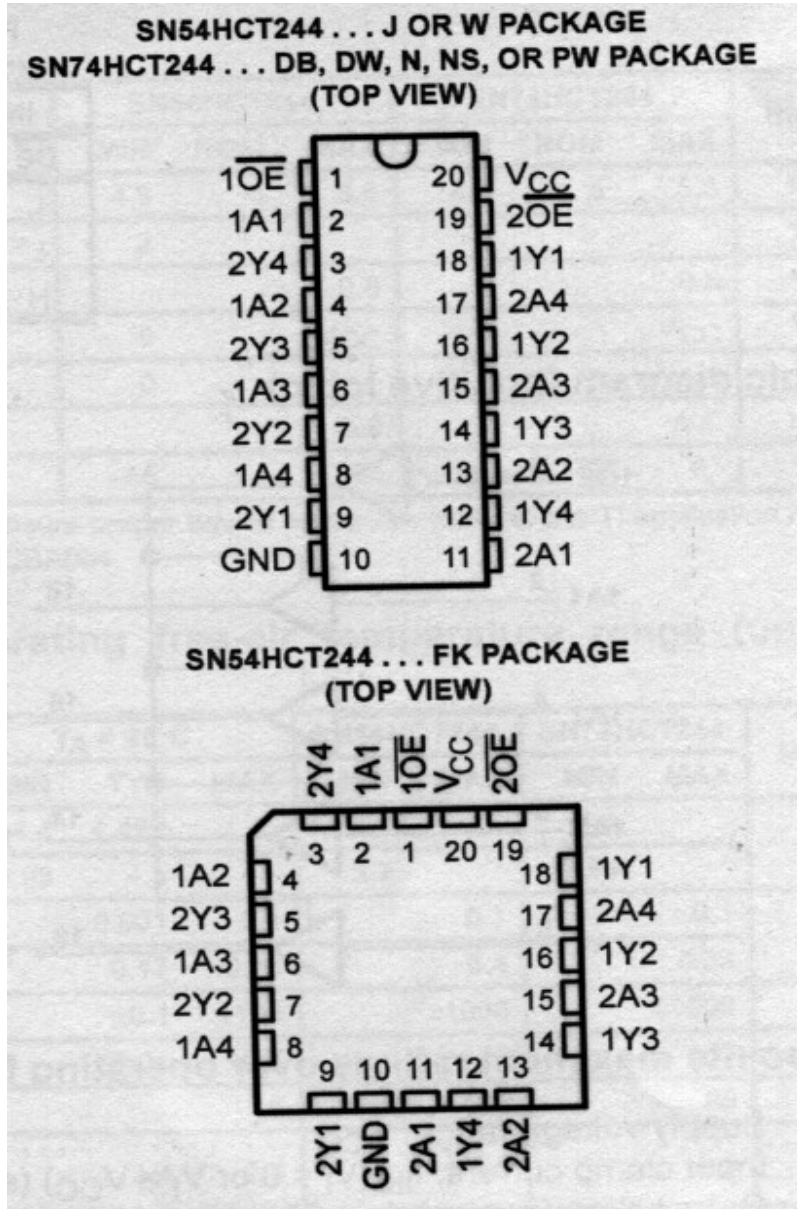


417-IQ2UM-970A IC(CD74HC4050M96,SOIC-16)

Functional Diagram



417-50CU-1256 IC(SN74HCT244PWR,TSSOP-20)



417-SR-1102 IC(MKL15Z128VLK4,LQFP-80)

