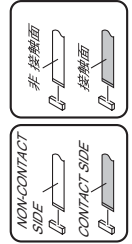
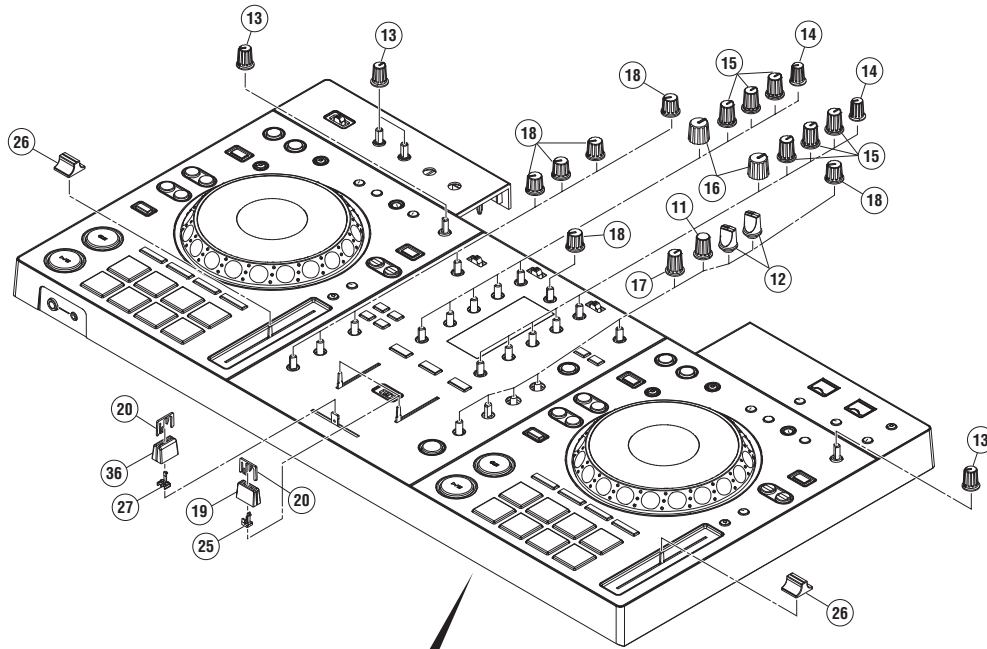
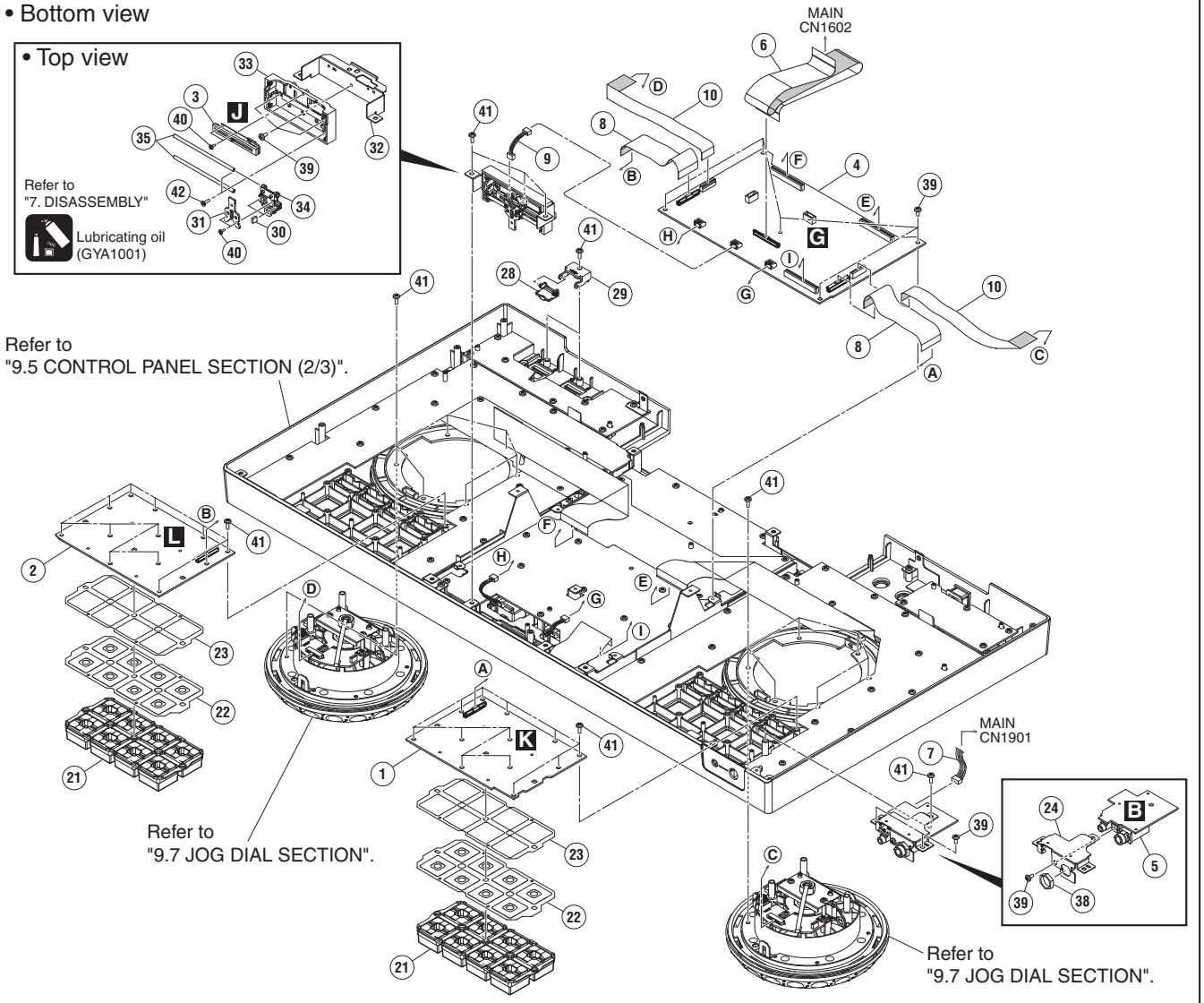


9.4 CONTROL PANEL SECTION (1/3)



• Bottom view

• Top view



CONTROL PANEL SECTION (1/3) SECTION PARTS LIST

| <u>Mark No.</u> | <u>Description</u> | <u>Part No.</u> | |
|-----------------|---------------------|-----------------|---|
| 1 | PAD1 Assy | DWX4037 | |
| 2 | PAD2 Assy | DWX4038 | A |
| 3 | CRFD Assy | DWX4040 | |
| 4 | UCOM Assy | DWX4045 | |
| 5 | HPJK Assy | DWX4053 | |
| 6 | FFC | DDD1812 | |
| 7 | Connector Assy | PF04PP-D42 | |
| 8 | FFC/50P | DDD1686 | |
| 9 | Connector Assy | PF03PP-B05 | |
| 10 | FFC | DDD1814 | |
| 11 | Rotary SW Knob (C) | DAA1180 | B |
| 12 | FX SEL Knob | DAA1213 | |
| 13 | Knob/LBK | DAA1284 | |
| 14 | Knob/CH | DAA1300 | |
| 15 | Knob/RSW | DAA1305 | |
| 16 | Knob/FRE | DAA1309 | |
| 17 | Knob | DAA1368 | |
| 18 | Knob | DAA1370 | |
| 19 | Slider Knob 1 | DAC2684 | |
| 20 | Slider Knob 2 | DAC2685 | C |
| 21 | Button | DEB2057 | |
| 22 | Sheet | DEC3739 | |
| 23 | Spacer | DEC3740 | |
| 24 | Stay/HP | DNH3182 | |
| 25 | Slider Knob Stopper | DNK5888 | |
| 26 | Knob/SLD | DNK5981 | |
| 27 | Stopper | DNK6440 | |
| 28 | Door | DNK6497 | |
| 29 | Holder | DNK6710 | D |
| NSP 30 | Cushion | DEC3356 | |
| 31 | Lever | DNH3211 | |
| 32 | Stay | DNH3301 | |
| 33 | Holder | DNK6425 | |
| 34 | Slider | DNK6426 | |
| 35 | Guide Bar | VLL1514 | |
| 36 | Knob | DAC3238 | |
| 37 | ••••• | | |
| 38 | Nut M12 | DBN1018 | E |
| 39 | Screw | BBZ30P060FTC | |
| 40 | Screw | BPZ20P050FTC | |
| 41 | Screw | BPZ30P080FNI | |
| 42 | Screw | CPZ26P080FTC | |