



MPM-1000U

USB CONDENSER MICROPHONE FOR
DAW RECORDING / PODCASTING

MPM-1000U

USB Condenser Microphone for DAW Recording or Podcasting

The MPM-1000U is perfect for podcasting applications or recording high-quality audio directly to a computer or digital audio workstation (DAW).

At the heart of the MPM-1000U is a 14mm back electret condenser element with a directional cardioid polar pattern. The result? A wide ranging frequency response (20 – 17,000Hz), high sensitivity (-34dB ± 2dB (0dB = 1V/Pa @ 1kHz)) and fast transient response that combine for premium capture and faithful recreation of every subtle nuance of a sung or narrated vocal part - all with minimal interference from unwanted ambient noise.

With the MPM-1000U, complicated setups are a thing of the past. The built-in driver facilitates rapid plug-and-play USB performance on both Mac and PC operating systems. For professional capture every time, the MPM-1000U boasts studio-grade A/D conversion at 48kHz / 16-bit for a recording resolution with uncompromised dynamic range

and frequency response. When combined with low self noise (16dBA) and signal-to-noise ratio (78dB) specifications, pristine audio capture is guaranteed every time.

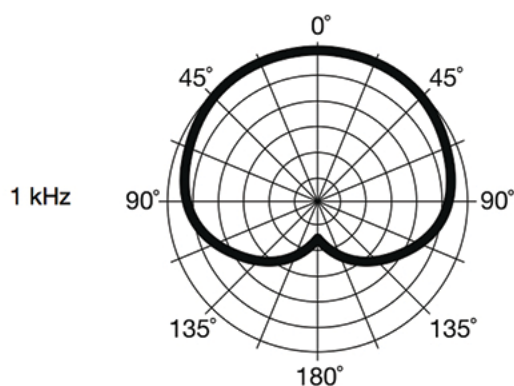
Features

- Condenser microphone with USB output
- Perfect for DAW recording or podcasting applications
- Extended frequency response and low self-noise
- High speed analogue to digital converter
- Solid construction

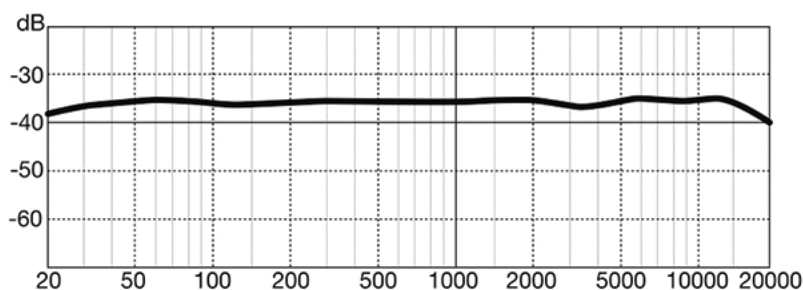
Box Contents

- MPM-1000U Microphone
- USB Cable
- Mic Clip
- User Guide

Polar Pattern



Frequency Response



Technical Specifications

Type	14mm back-electret condenser microphone
Polar Pattern	Cardioid
Frequency Response	20–17000 Hz
Sensitivity	-34 dB +2 dB (0 dB = 1 V/Pa @ 1 kHz)
Impedance	Output: 100 Ω +30% (@ 1 kHz). Load: >1000 Ω
Self-Noise	16 dBA
Maximum SPL	132 dB (THD <1%, 1 kHz)
Signal-to-Noise Ratio	78 dB
Power	USB
Dimensions (length x diameter)	6.22" x 1.89" / 158 x 48 mm
Weight	0.67 lbs. / 0.30 kg

User Summary & Target Demographics

The primary target market for the Marantz Professional MPM-1000U is musicians, vloggers and podcasters seeking a cost-effective means to capture professional quality recordings via USB to Mac and PC operating systems. Combining a wide ranging frequency response, high sensitivity specification and studio grade, high-resolution A/D conversion, the MPM-1000U provides core plug-and-play audio capture without the need for a separate audio interface.