

# 9. EXPLODED VIEWS AND PARTS LIST

NOTES: ● Parts marked by "NSP" are generally unavailable because they are not in our Master Spare Parts List.

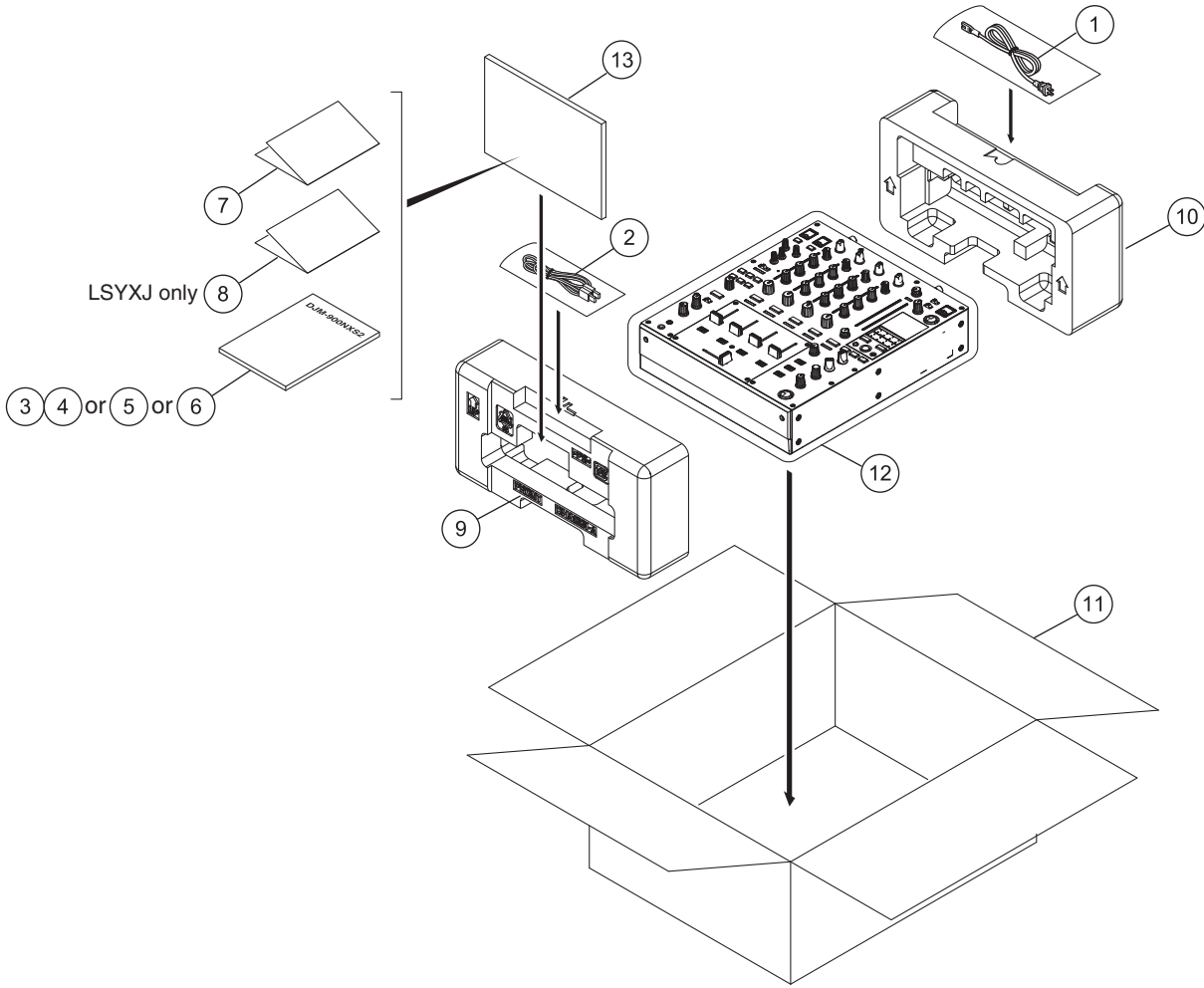
● The  $\triangle$  mark found on some component parts indicates the importance of the safety factor of the part. Therefore, when replacing, be sure to use parts of identical designation.

● Screws adjacent to  $\nabla$  mark on product are used for disassembly.

● For the applying amount of lubricants or glue, follow the instructions in this manual.

(In the case of no amount instructions, apply as you think it appropriate.)

## 9.1 PACKING SECTION



**(1) PACKING SECTION PARTS LIST**

<u>Mark No.</u>	<u>Description</u>	<u>Part No.</u>	<u>Mark No.</u>	<u>Description</u>	<u>Part No.</u>
⚠	1 Power Cord	See Contrast table	NSP 8	Warranty	See Contrast table
	2 USB Cable	DDE1128	9	Packing Pad	DHA1931
	3 Operating Instructions (Quick Start Guide)	See Contrast table	10	Packing Pad	DHA1932
	4 Operating Instructions (Quick Start Guide)	See Contrast table	11	Packing Case	See Contrast table
	5 Operating Instructions (Quick Start Guide)	See Contrast table	12	Packing Sheet	RHC1023
	6 Operating Instructions (Quick Start Guide)	See Contrast table	NSP 13	Polyethylene Bag	AHG7117
NSP 7	Leaflet	See Contrast table			

**(2) CONTRAST TABLE**

DJM-900NXS2/LSYXJ, UXJCB and XJCN are constructed the same except for the following:

Mark	No.	Symbol and Description	DJM-900NXS2 /LSYXJ	DJM-900NXS2 /UXJCB	DJM-900NXS2 /XJCN
⚠	1	Power Cord	ADG1244	DDG1108	DDG1114
	3	Operating Instructions (Quick Start Guide)(En, Fr, De, It)	DRH1331	Not used	Not used
	4	Operating Instructions (Quick Start Guide)(NI, Es, Pt, RU)	DRH1332	Not used	Not used
	5	Operating Instructions (Quick Start Guide)(En)	Not used	DRH1330	Not used
	6	Operating Instructions (Quick Start Guide)(Zhc)	Not used	Not used	DRH1333
NSP	7	Leaflet	DRH1275	DRH1275	DRH1274
NSP	8	Warranty	ARY7158	Not used	Not used
	11	Packing Case	DHG3429	DHG3445	DHG3447