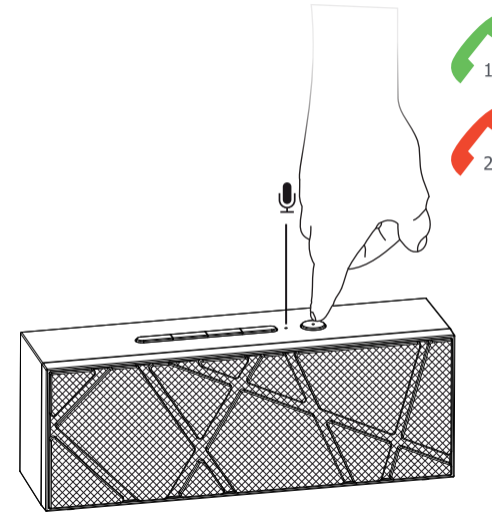
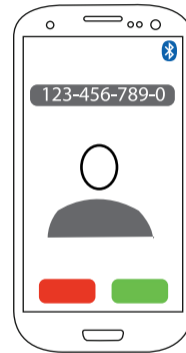
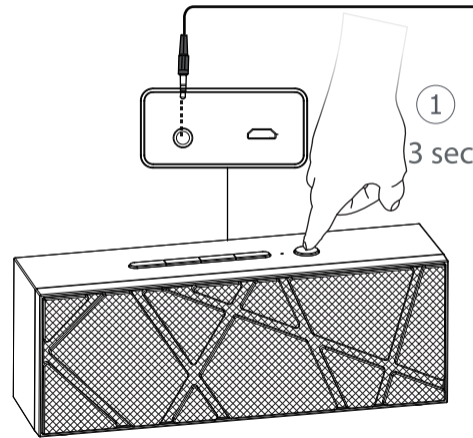


5. Wireless phone call



6. Wired - setup



1
3 sec

2

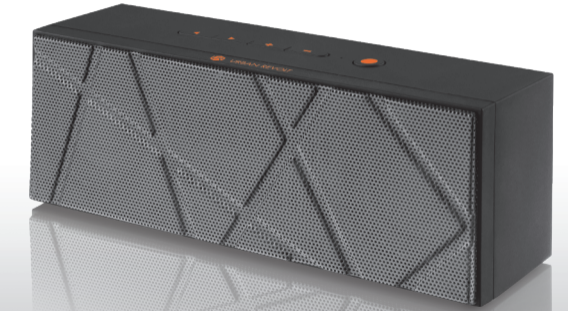
3

FAQ

Frequently asked questions

<http://www.urbanrevolt.com/20164/faq>

© 12-08-2014 Urban Revolt All rights reserved.



Quick Installation Guide

Streetbox wireless speaker

1. Charging

- Charging
- Charged

3H

*not included

2. Wireless - setup 1/2

- Pairing mode
- Paired

3sec

3. Wireless - setup 2/2

- Settings
- Bluetooth
- UR SPK-14

Wireless - Troubleshooting

no devices found

6 sec

4. Wireless - play music