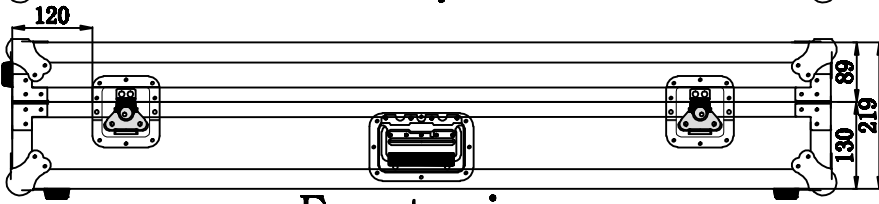
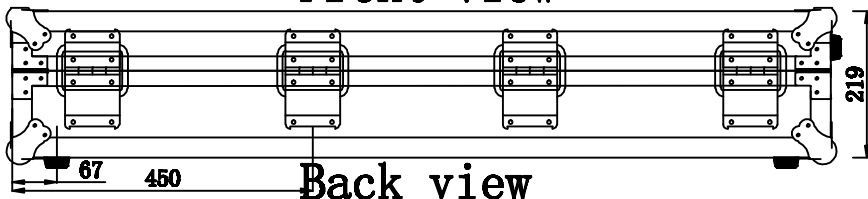


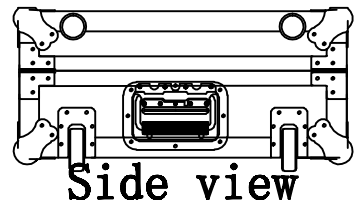
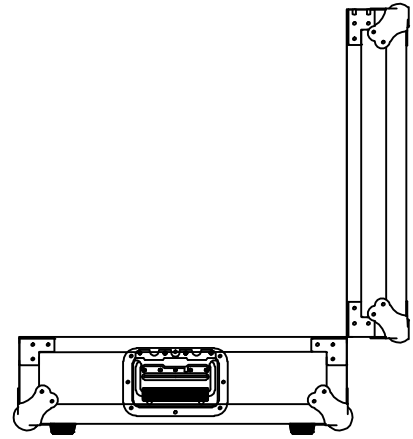
Top view



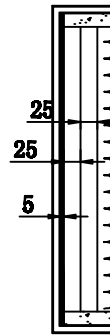
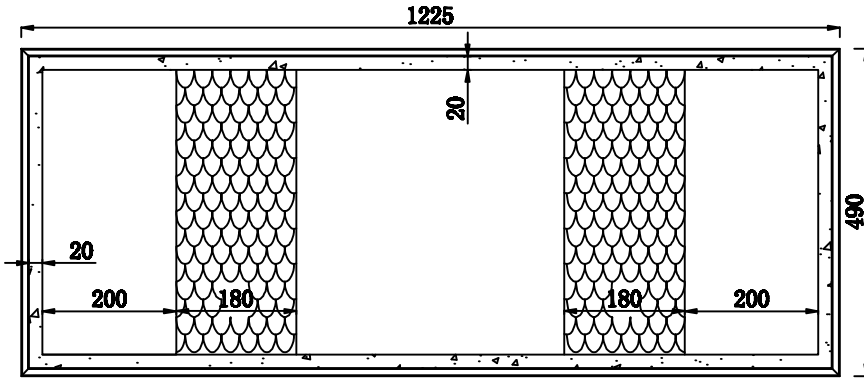
Front view



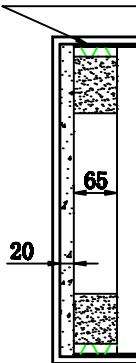
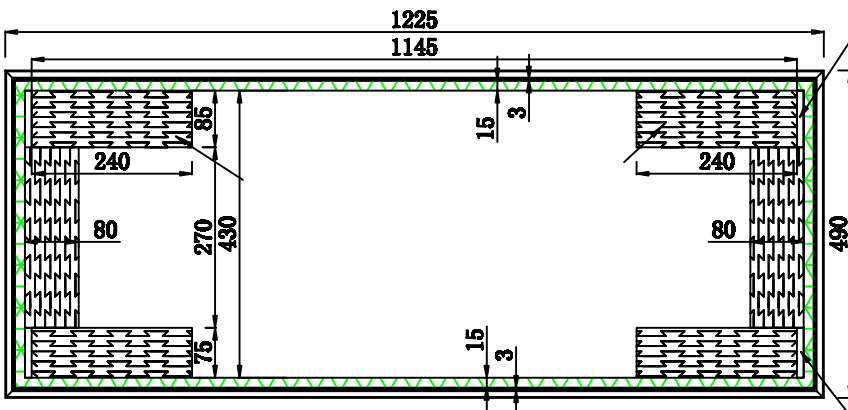
Back view



Side view



Z-FOAM



Model No.

Keys 61-P

**PRODJUSER**