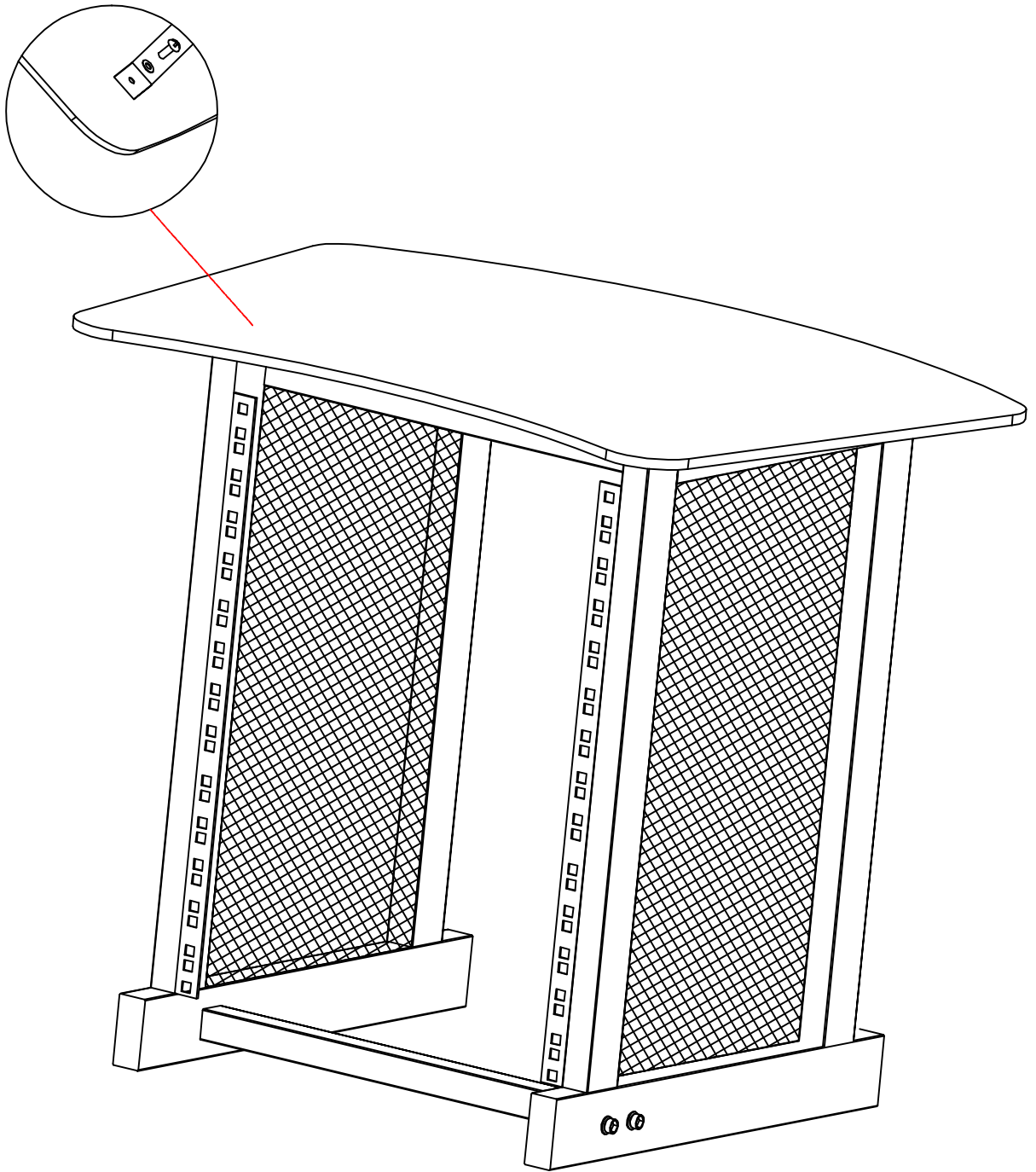


1. Assemble side panels and cross bar supports as shown and tighten bolts firmly.



2. Mount table top with provided wood screws.