



Visual Sound
real tone for real people

4922 Port Royal Road B-11 • Spring Hill, Tennessee 37174 • 931-487-9001
www.visualsound.net • www.myspace.com/visualsoundusa

Visual VOLUME

INSTRUCTION MANUAL & PRODUCT GUIDE



Originally introduced in 1995, the all new Visual Volume 10th Anniversary Edition is back by popular demand. Like all useful things, Visual Volume started with a need. If you use a volume pedal for anything more than simple fades and approximate levels, you know that being able to come back to a specific volume level with some accuracy is really very useful. It can be quite difficult to get to just the right level, then come back to that level by ear later in a stage environment. Visual Volume gives you some help with that. The 0-10 LED scale allows you to quickly find the right volume level without any guessing.

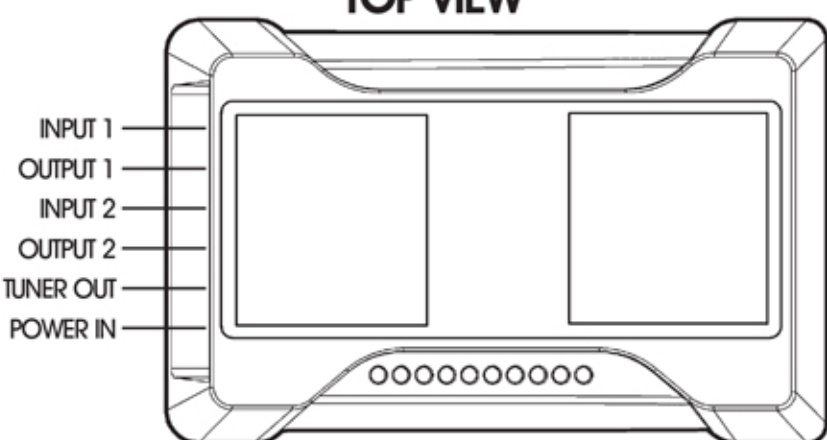
NOTE: Please use a high quality regulated 9VDC adapter like the 1 SPOT. (Boss PSA, Dunlop ECB-03, Banez AC-109, Morley 9V also acceptable.) A 9V alkaline battery will last at least 25 hours.

CONGRATULATIONS ON YOUR NEW VISUAL VOLUME PEDAL!

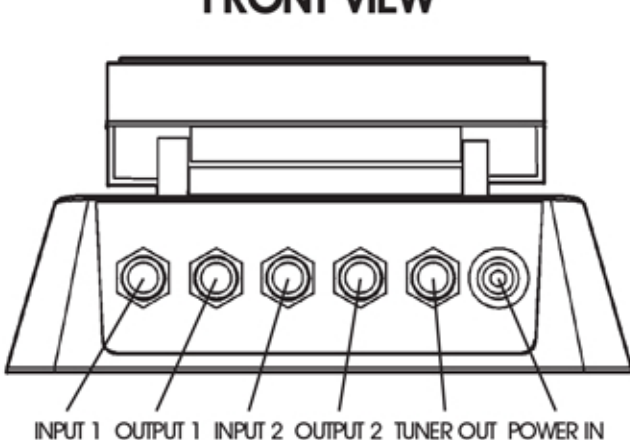
Your new Visual Volume pedal can be used in several different ways. Here are some sample applications...

- GUITAR MUTE:** Between songs, rock it all the way back and your guitar is muted. Or switch guitars while it's rocked back. No hum, buzz or clicks get through.
- BACK FOR RHYTHM/UP FOR LEAD:** Set it to 5 for rhythm chords, and rock it forward for leads. You can get back to your rhythm level by rolling back to 5.
- BOOST:** Set to active mode with some additional gain. You can rock it back to unity gain, having clean boost available at a touch.
- BUFFER:** The active mode of Visual Volume has the Pure Tone buffer circuit in it. Even when set at unity gain, the buffer makes it sound like you are plugged directly into your amp even when you have other pedals and long cables after it.
- BOWED NOTES:** You have to be good with your feet, but once you get the hang of it, you can rock back to zero at the end of a note and rock forward as you pick the note for a soft fade-up per note.
- FADE IN/FADE OUT:** The indicators help you keep control of how much you fade and help you keep a consistent fading rate.
- GAIN CONTROL:** Put Visual Volume before distortion in your chain of effects and use it to control the drive level; this is just like using the volume knob of your guitar except you get to keep playing while you adjust the distortion level.
- EXPRESSION PEDAL:** Use a standard audio insert cable. Plug the two mono plugs into Input 1 and Output 1. Take the stereo plug at the other end and plug into the controller jack of whatever you want to control (keyboard, multi-effects, etc.). If this doesn't work, simply swap the two mono plugs. Visual Volume must be in Passive mode for Expression Pedal applications.

TOP VIEW



FRONT VIEW



TUNER OUT

The fifth jack is a tuner output, and it's directly connected to Input 1, so you can rock the rocker fully back to get no output from the output jacks. The tuner output still has the input from Input 1, so the tuner operates while no signal goes to your amps.

MONO VOLUME CONTROL

For simple volume pedal use, plug your guitar into Input 1, the rest of your setup into Output 1, and rock the pedal for volume changes. However, if you use a distortion pedal and don't want to change the drive level of the distortion, make sure to put Visual Volume after the distortion pedal. Putting a volume pedal before distortion causes it to act like the volume knob of your guitar, changing the amount of distortion as you reduce the volume level.

SPLITTER

If you do not plug into Input 2, the signal from Input 1 comes out on both Output 1 and Output 2 as well. If you use active mode, the buffered signal comes out both Output 1 and Output 2 and can be sent to two different loops or amps.

STEREO VOLUME CONTROL

If you plug a signal into Input 1 and Input 2, then the signal from Input 1 comes out on Output 1 and the signal from Input 2 comes out on Output 2. Both Output 1 and Output 2 have their level controlled by the rocker in unison - it's a stereo volume pedal now. So you can plug your guitar into, for instance, a stereo chorus, then run the stereo chorus output into the two inputs, and out to two amps. You can plug in two guitars using this configuration and switch between the two without unplugging.

EASY POT REPLACEMENT

Over the years, guitar players have used their volume pedals enough to simply wear out the control pots. This leads to crackling, hiss, dropouts and similar problems. We wanted the Visual Volume pedal to be easy to service, so we made the control pot easy to remove and replace. Replacement pot kits to restore this to like-new performance are available from Visual Sound. Many owners will be able to replace their own pot assemblies without taking it to a service technician.

BATTERY REPLACEMENT

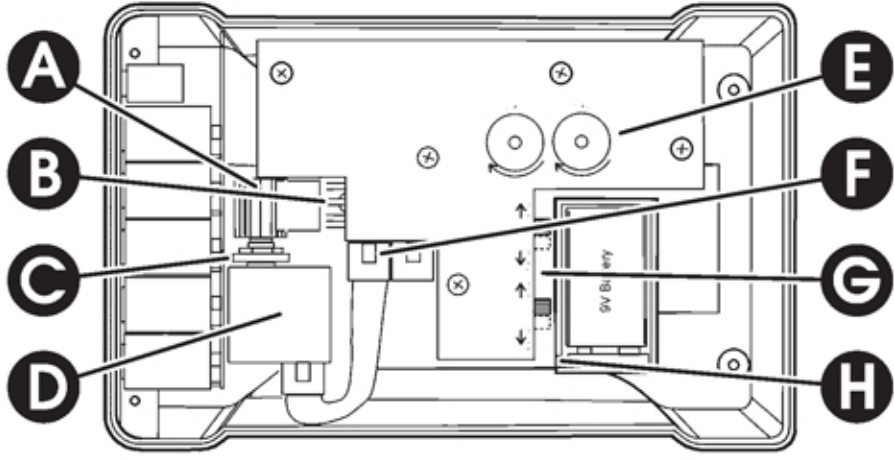
Visual Volume uses a standard 9V alkaline battery. To replace the battery, remove the four screws holding the bottom cover on and remove the battery from the battery compartment. Replace it with a fresh battery, and put it back in the compartment. Be sure to place the wires from the battery clip in the small notch on the battery compartment so they do not get pinched between the battery compartment and the bottom of the pedal while the pedal is being used. Better yet, get a 1 SPOT to power all your pedals and don't worry about buying batteries ever again!

INTERNAL PEDAL ADJUSTMENTS

The remaining features are controlled from inside the unit. You can remove the bottom plate by removing the four screws that secure it to the main housing. Looking inside, you should see an internal layout as diagrammed on the following page. Cable from the jacks and power connector has been left out of the drawing so you can see the other bits more clearly.

INTERNAL PEDAL ADJUSTMENTS

- A RACK AND PINION GEAR
- B RACK TENSION ADJUSTER SCREW
- C QUAD POT RETAINING NUT
- D QUAD POT ASSEMBLY
- E GAIN CONTROLS
- F QUAD POT CONNECTOR
- G ACTIVE/PASSIVE SWITCHES
- H NOTCH FOR BATTERY CLIP WIRES



JEKYLL & HYDE
New noise reduction and improved Mid control on Hyde channel. Additional low-drive range on Hyde channel. Same great overdrive and distortion tones that Jekyll & Hyde is famous for.

H2O
Normal/Lush switch added on Chorus channel. Same great chorus and echo tones that H2O is famous for.

DOUBLE TROUBLE
Visual Sound's interpretation of the TS-808 (with bass boost and lots more volume), times 2! Use either overdrive by itself or combine them.

ROUTE 66
New noise reduction on Compressor channel. Additional low-drive range on overdrive channel. Same great compression and overdrive tones that Route 66 is famous for.

ANGRY FUZZ
A brand new effect unlike any fuzz pedal you've ever heard. Blend in an octave up with the Angry Level knob and get crazy low octave overtones to boot! Octave tracking is flawless even with the fastest shredding imaginable.

SON OF HYDE
The Hyde distortion channel from the new Jekyll & Hyde in a single pedal.

ROUTE 808
One channel of Double Trouble in a single pedal... Visual Sound's interpretation of the TS-808 (with bass boost and lots more volume).

LIQUID CHORUS
The chorus channel of the new H2O in a single pedal, with an added Depth knob. Also has 2 outputs, normal and inverted, for running in stereo.

COMP 66
The compressor channel of the new Route 66 in a single pedal.

Visual VOLUME

Originally released in 1995 and now back by popular demand, the new Visual Volume 10th Anniversary Edition is the finest, most useful volume pedal ever created. Don't just try to find the right volume by ear, see it with the 0-10 LED readout!

- All new design with die-cast aluminum housing and blue LEDs!
- Active and Passive modes
- Clean boost pre-amp in Active mode
- Two inputs and outputs for mono or stereo use
- Tuner Out jack for silent tuning

EXCELLENT FOR LIVE PLAYING SITUATIONS!

1 SPOT
POWER YOUR PEDALBOARD FROM ONE OUTLET!

Pedal boards are for pedals...not power supplies. Bigger is not always better. At a fraction of the cost, the 1 SPOT...is more powerful than the PedalPower™ or DC Brick™...and takes up NO space on your pedal board!

Frustrated with powering only two or three effects pedals with a 6-outlet power strip? Visual Sound has created the perfect alternative to awkward transformer-type adapters. The 1 SPOT...9VDC regulated power supply will work with virtually any pedal on the market today. It can even power many keyboards and other musical equipment. The 1 SPOT...features worldwide 100v-240v input voltage allowing it to be used anywhere in the world! With 1700mA Output Power, the 1 SPOT...can power all of your pedals from a single outlet* with the 1700mA Multi-Plug cables.

1 SPOT
9V
ORIGINAL 1 SPOT AND THE 1 SPOT COMBO PACK

1 SPOT ACCESSORIES

MULTI-PLUG 5 CABLE (MC5)
Allows connection of up to 5 units to the 1 SPOT...adapter. Connect cables together to power even more units.
*Up to power rating of the 1 SPOT...Adapter

MULTI-PLUG 8 CABLE (MC8)
Allows connection of up to 8 units to the 1 SPOT...adapter. Connect cables together to power even more units.
*Up to power rating of the 1 SPOT...Adapter

3.5mm Converter (C35)
Allows the 1 SPOT...adapter and Multi-Plug Cable to be used with a 3.5mm (1/8") power jack (EH™, old MXR™, etc.)

L6 Converter (CL6)
Allows the 1 SPOT...adapter & Multi-Plug Cable to be used with Line 6™ modeling pedals & Digitech™ RP100

Battery Clip Converter (CBAT)
Allows the 1 SPOT...adapter & Multi-Plug Cable to be used with 9V guitar pedals* that only have a battery connection

Reverse Polarity Converter (CYR)
Allows the 1 SPOT...adapter to be used with keyboards, samplers, and drum machines

Unlike most companies, Visual Sound puts a lot of thought into cheap accessories. Believe it or not, the Multi-Plug 5 and 8 Cables are the only "daisy chain" cables featuring right angle plugs and over 12" (300mm) between each plug. We even designed spring-loaded input socket contacts so your MC5, MC8, or converter won't unplug unless you want it to.

*Brand names listed are trademarks of their respective companies and have no affiliation with Visual Sound.